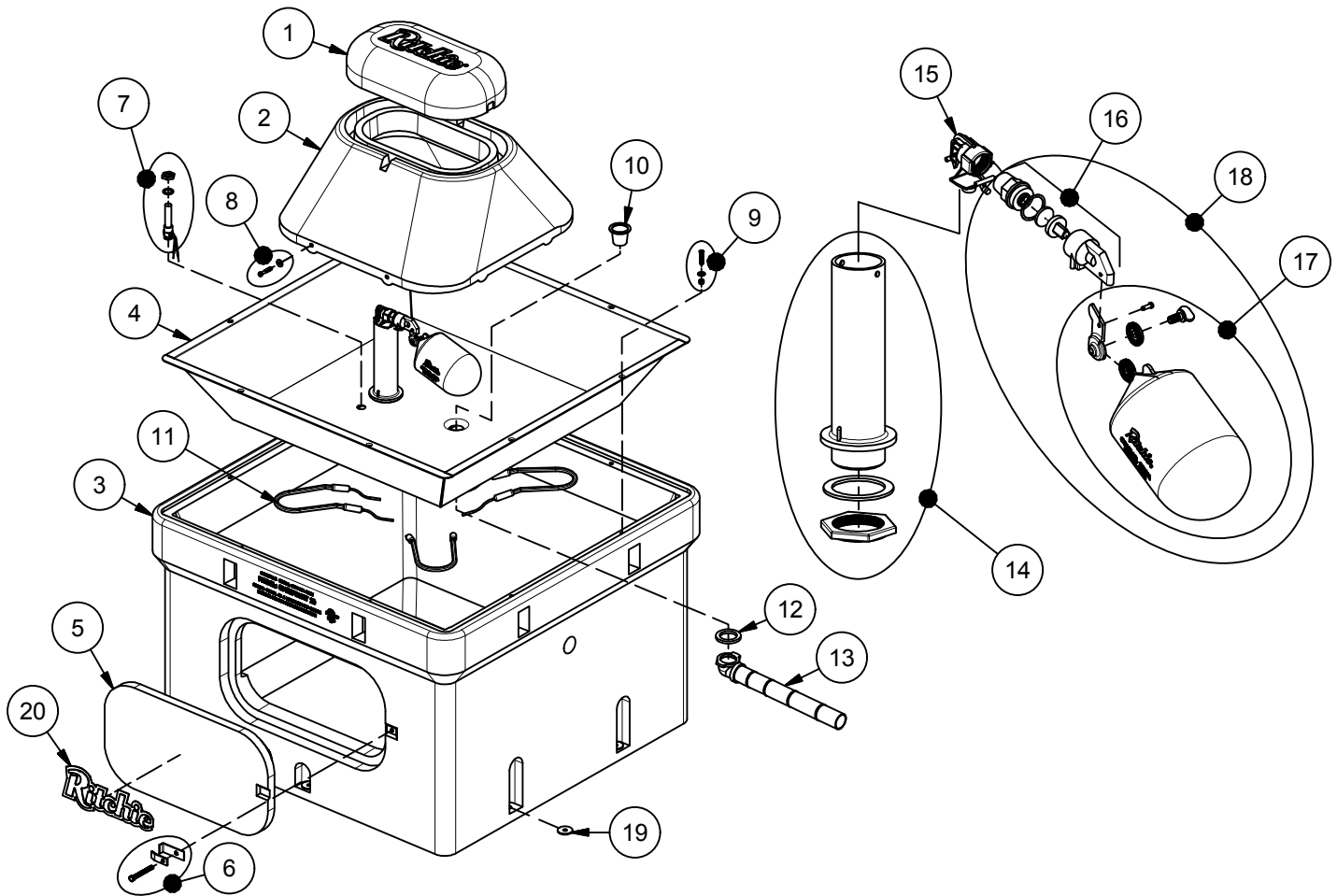


# OmniFount 10

18521 GREEN



Item	Part #	Description	Qty	Item	Part #	Description	Qty
1	18519	Omni 10 Cover	1	15	11514	Valve Bracket 3/4" pkg	1 pkg
2	18520	Omni 10 Frame	1	16	15377	Green Male Valve 3/4" pkg	1 pkg
	N/A	Omni 10 Cover & Frame pkg	1 pkg	17	18314	Float with Hardware pkg	1 pkg
3	18518	Omni 10 Casing	1		18313	Hardware for Float pkg	1 pkg
4	18469	Omni 10 Trough pkg	1 pkg	18	16993	Green Valve & Float pkg	1 pkg
5	18501	Access Panel 10"x20"	1	19	18318	Bolt Down Washer (4/pkg)	2 pkg
6	18147	Access Panel Hardware pkg	1 pkg	20	18653	Ritchie Decal 12" (1/pkg)	1 pkg
7	16534	Fenwal Thermostat SS pkg	1 pkg	NS	12583	Valve Supply Line pkg	1 pkg
	18320	O-Ring Fenwal (6/pkg)	1 pkg	NS	13830	Cable Htr 120V 48W (1/pkg)	1 pkg
	18074	Nut Brass Fenwal (6/pkg)	1 pkg	NS	16554	Omni 10 Accessory pkg	1 pkg
8	18471	Frame Bolt & Wshr SS(4/pkg)	1 pkg	NS	16523	Seal Foam 1/4"x3/4"x25' Roll	1
9	18095	Trough Screw & Nut SS (2/pkg)	4 pkg	NS	14866	Seal Foam 1/2"x3/4"x10' Roll	1
10	18628	Drain Plug (2/pkg)	1 pkg				
11	11419	Heater 120V 250W (1/pkg)	4 pkg		N/A	OMNI 10 GREEN 240V	
12	18075	Drain Washer (6/pkg)	1 pkg	NS	11403	Heater 240V 300W (1/pkg)	3 pkg
13	11473	Drain Pipe with Elbow	1	NS	16424	Cable Htr 240V 48W (1/pkg)	1 pkg
14	16629	Standpipe pkg	1 pkg				