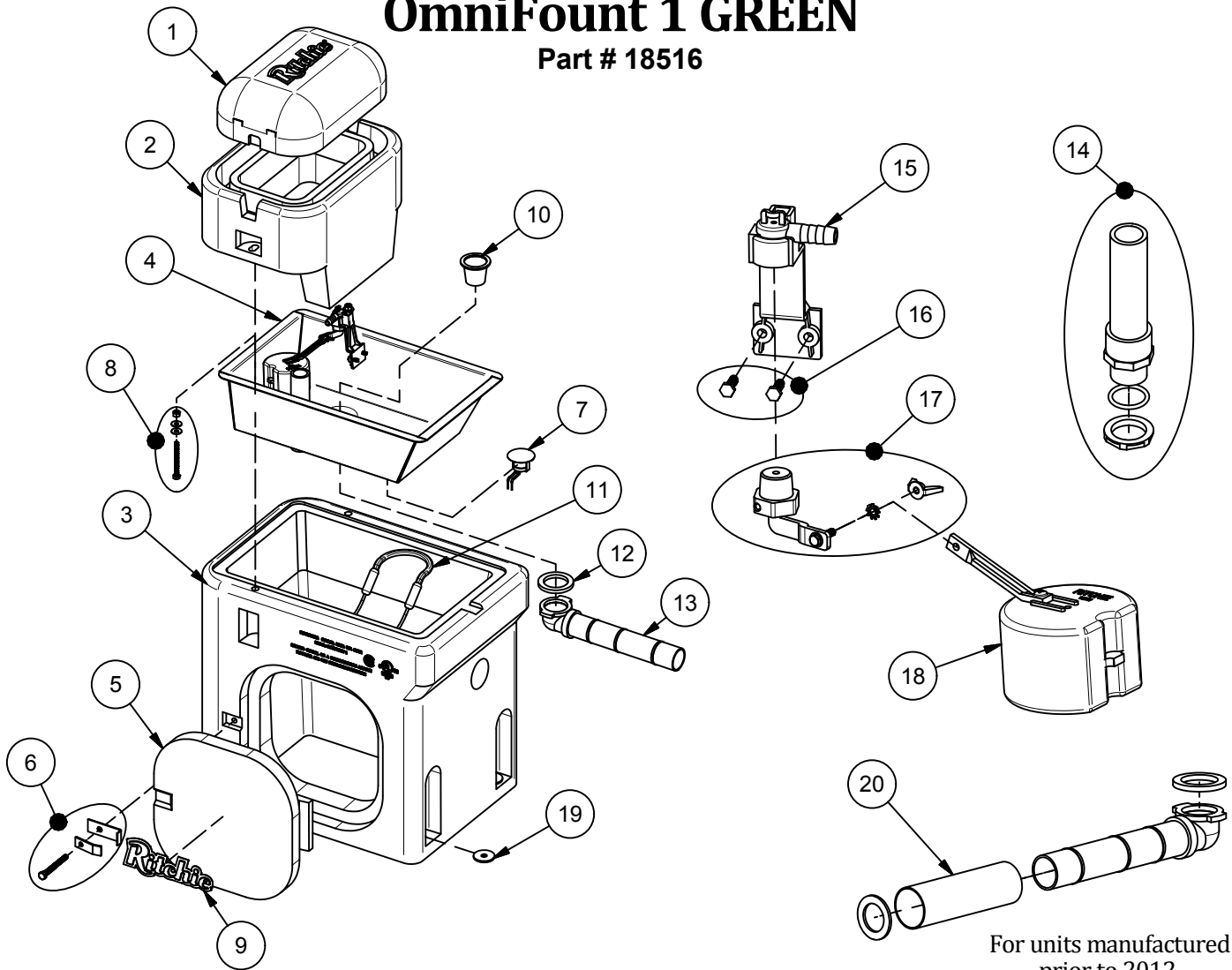


# OmniFount 1 GREEN

Part # 18516



For units manufactured prior to 2012.

| Item | Part # | Description                   | Qty   | Item | Part # | Description                     | Qty   |
|------|--------|-------------------------------|-------|------|--------|---------------------------------|-------|
| 1    | 18514  | Omni 1 Cover Green            | 1     | 15   | 11515  | Valve Bracket 1/2" w/ Scrws pkg | 1 pkg |
| 2    | 18515  | Omni 1 Frame pkg Green        | 1 pkg | 16   | 18066  | Screws Valve Bracket (6/ pkg)   | 1 pkg |
| 3    | 18513  | Omni 1 Casing Green           | 1     | 17   | 12575  | Red Valve 1/2" pkg              | 1 pkg |
| 4    | 18368  | Omni 1 Trough                 | 1 pkg | 18   | 13613  | Float with Short Arm pkg        | 1 pkg |
| 5    | 18502  | Access Panel 10"x10" Green    | 1     | 19   | 18318  | Bolt Down Washer (4/pkg)        | 1 pkg |
| 6    | 18147  | Access Panel Hardware pkg     | 1 pkg | 20   | 17500  | Drain Pipe Guard                | 1     |
| 7    | 11885  | Disc Thermostat pkg           | 1 pkg | NS   | 13830  | Cable Htr 120V 48W (1/pkg)      | 1 pkg |
| 8    | 18266  | Frame Bolt,nut&wshr SS(3/pkg) | 1 pkg | NS   | 16627  | Omni 1 Accessory pkg            | 1 pkg |
| 9    | 18655  | Ritchie Decal 7.5" (1/pkg)    | 1 pkg | NS   | 16523  | Seal Foam 1/4"x3/4"x25' Roll    | 1     |
| 10   | 18628  | Drain Plug (2/pkg)            | 1 pkg | NS   | 14866  | Seal Foam 1/2"x3/4"x10' Roll    | 1     |
| 11   | 14150  | Heater 120V 125W (1/pkg)      | 1 pkg |      |        |                                 |       |
| 12   | 18075  | Drain Washer (6/pkg)          | 1 pkg |      | 18517  | OMNI 1 240V Green               |       |
| 13   | 11471  | Drain Pipe with Elbow         | 1     | NS   | 16664  | Heater 240V 200W (1/pkg)        | 1 pkg |
| 14   | 16866  | Standpipe pkg                 | 1 pkg | NS   | 16424  | Cable Htr 240V 48W (1/pkg)      | 1 pkg |