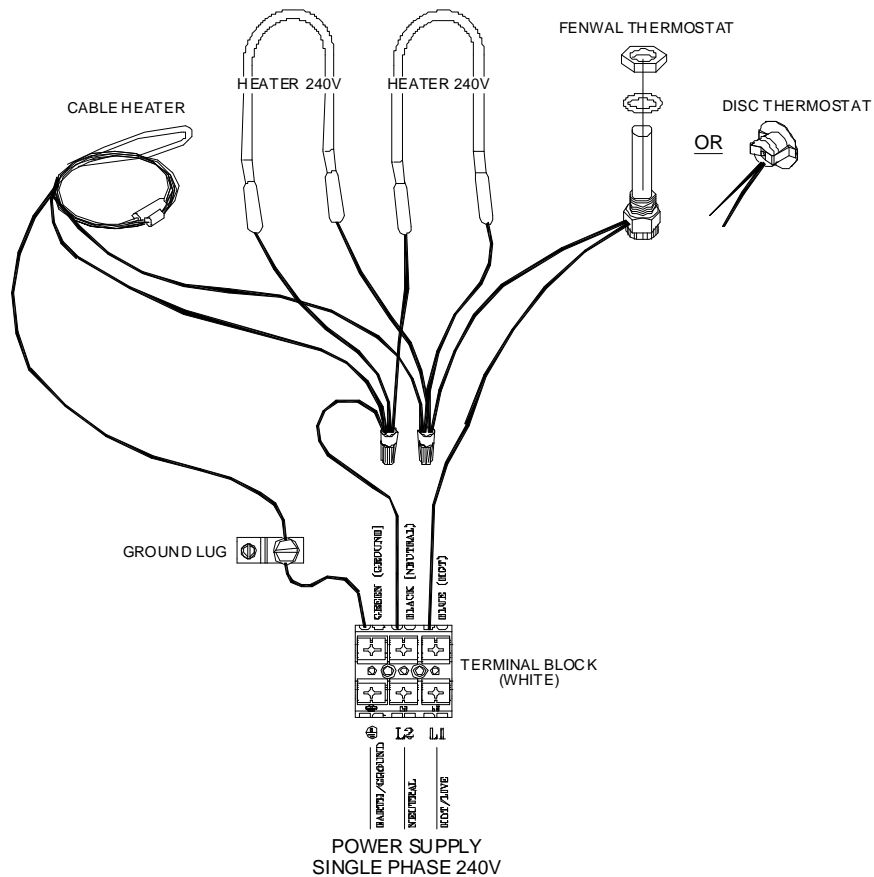
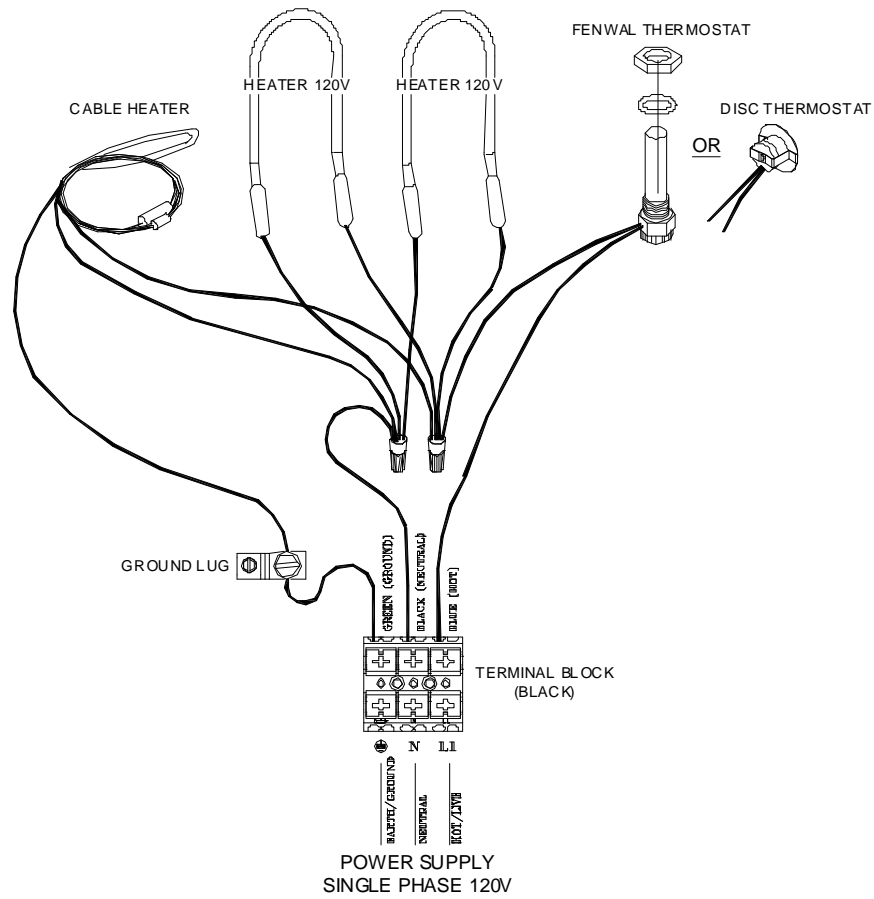


Ritchie Parts Index 2012

Description	Pg.	Description	Pg.
General Information		EcoFounts	
Ritchie Part Index	1	EcoFount 2	70
Ritchie Spare Part Quick Guide	2	EcoFount 1	71
Typical Ritchie Wiring Guide	3		
Overall Dimensions of Units	4-33	Stall Founts	
Electrical Components	34	Stall Fount II	72
1/2" Valve Configuration	35	Stall Fount 125 - Electric	73
3/4" Valve Configurations	36-37	Stall Fount - Unheated	74
Common Parts	38		
Supply Hose Assemblies	39	Thrifty King for Swine	
		Thrifty King HG4	75
		Thrifty King HG2	76
WaterMaster		Pork King	
WaterMaster 1200	40	Pork King 4	77
WaterMaster 600	41	Pork King 2-1	78
WaterMaster 96	42	Pork King 2	79
WaterMaster 90	42	Pork King 1	80
WaterMaster 54	44		
WaterMaster 54D	45		
		Misc. Units	
WaterMatic		Ritchie Gas Burner	81
WaterMatic 1000	46	Jet Flow	82
WaterMatic 300	47	Stock Tank Valve	83
WaterMatic 150-S	48		
WaterMatic 150	49	Discontinued Units	
WaterMatic 100	50		84
		Thrifty King CT	
Thrifty King CT		Thrifty King CT4 (Disc. 11/2004)	85
Thrifty King CT6	51		
Thrifty King CT4-2000	52	Thrifty King for Swine	
Thrifty King CT2-2000	53	Thrifty King HG2-1 (Disc. 05/2005)	86
Thrifty King CT1-2000	54		
		Combination Fountains	
Omni Founts		#5 Electric Combination Fountain (Disc. 05/2005)	87
Omni Fount 10	55		
Omni Fount 5	56	Misc. Units	
Omni Fount 3	57	Supply Hose Assy and Fittings (Disc. 01/2007)	88
Omni Fount 2	58	Omni 200 Bolt Down Cover (Disc. 01/2007)	89
Omni Fount 1	59	Omni 500 Bolt Down Cover (Disc. 01/2007)	90
		Ritchie Water Hydrants	
CattleMasters		Ritchie Hydrants (Disc. 08/2008)	91
CattleMaster 1440	60	Troubleshooting Guide for Ritchie Hydrants	92
CattleMaster 840	61		
CattleMaster 480	62	Nipple Founts	
CattleMaster Constant Flow	63	NippleFount 2	93
		NippleFount 4	94
		Commanders	
Cattle & Combination Fountains		Commander 2	95
#5 Electric Cattle Fountain	64	Commander 1	96
#3 Electric Cattle Fountain	65		
#3 Electric Combination Fountain	66	CattleMasters	
		CattleMaster 144	97
AC Series Fountains		CattleMaster 84	98
2AC	67	CattleMaster 48	99
2AC Special	68		
1AC	69		

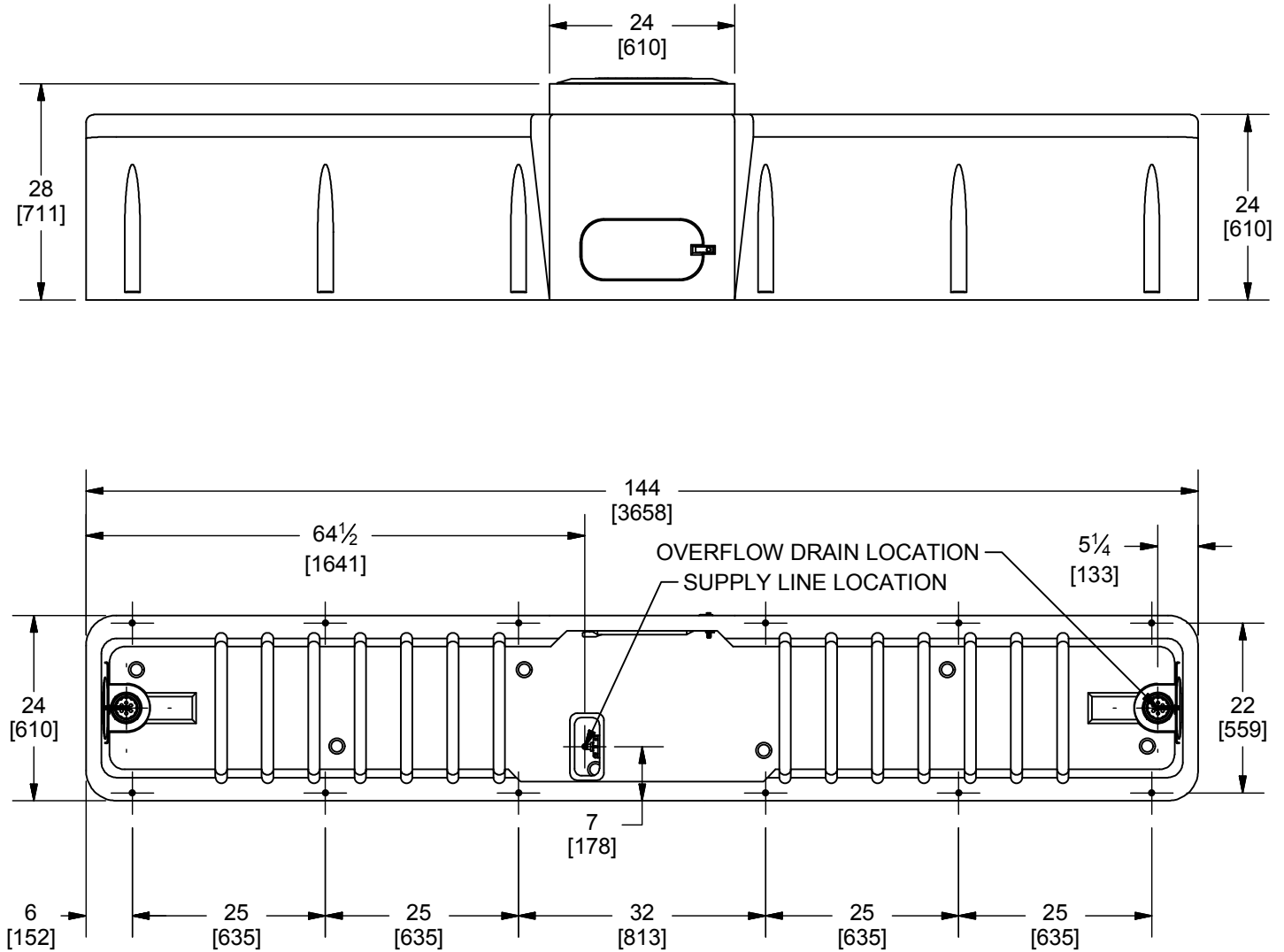
WIRING DIAGRAM FOR HEATED UNITS

TERMINAL BLOCKS ADDED IN 2008



WATERMASTER 1200

OVERALL DIMENSIONS

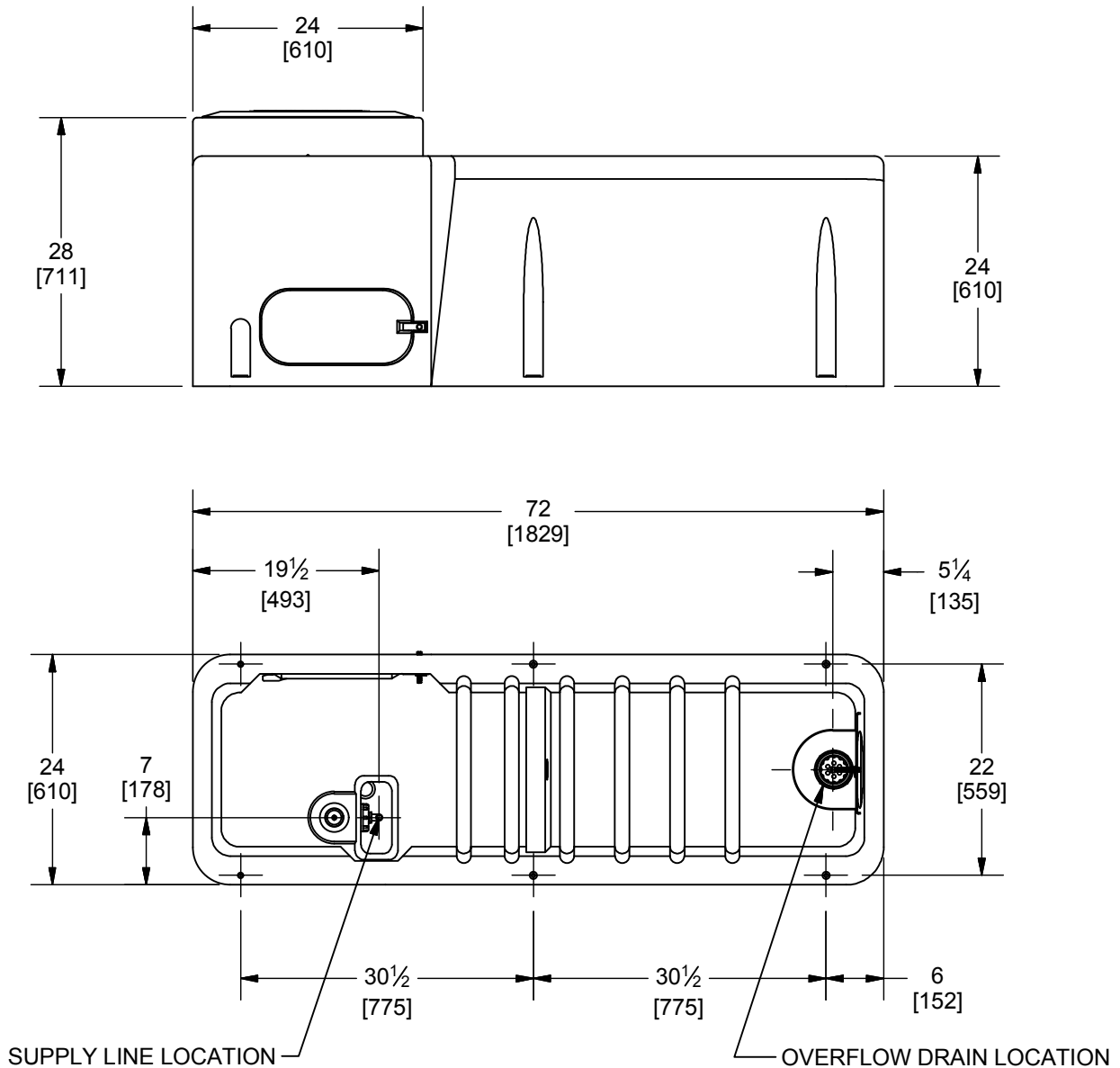


NOTE:

MOUNTING HOLE LOCATIONS ARE APPROXIMATE. DUE TO VARIATIONS IN MOLDING PROCESS IT IS NOT RECOMMENDED TO USE THIS DRAWING FOR LOCATING CONCRETE ANCHORS. IT IS RECOMMENDED TO WAIT UNTIL UNIT IS AVAILABLE FOR MEASUREMENT.

WATERMASTER 600

OVERALL DIMENSIONS

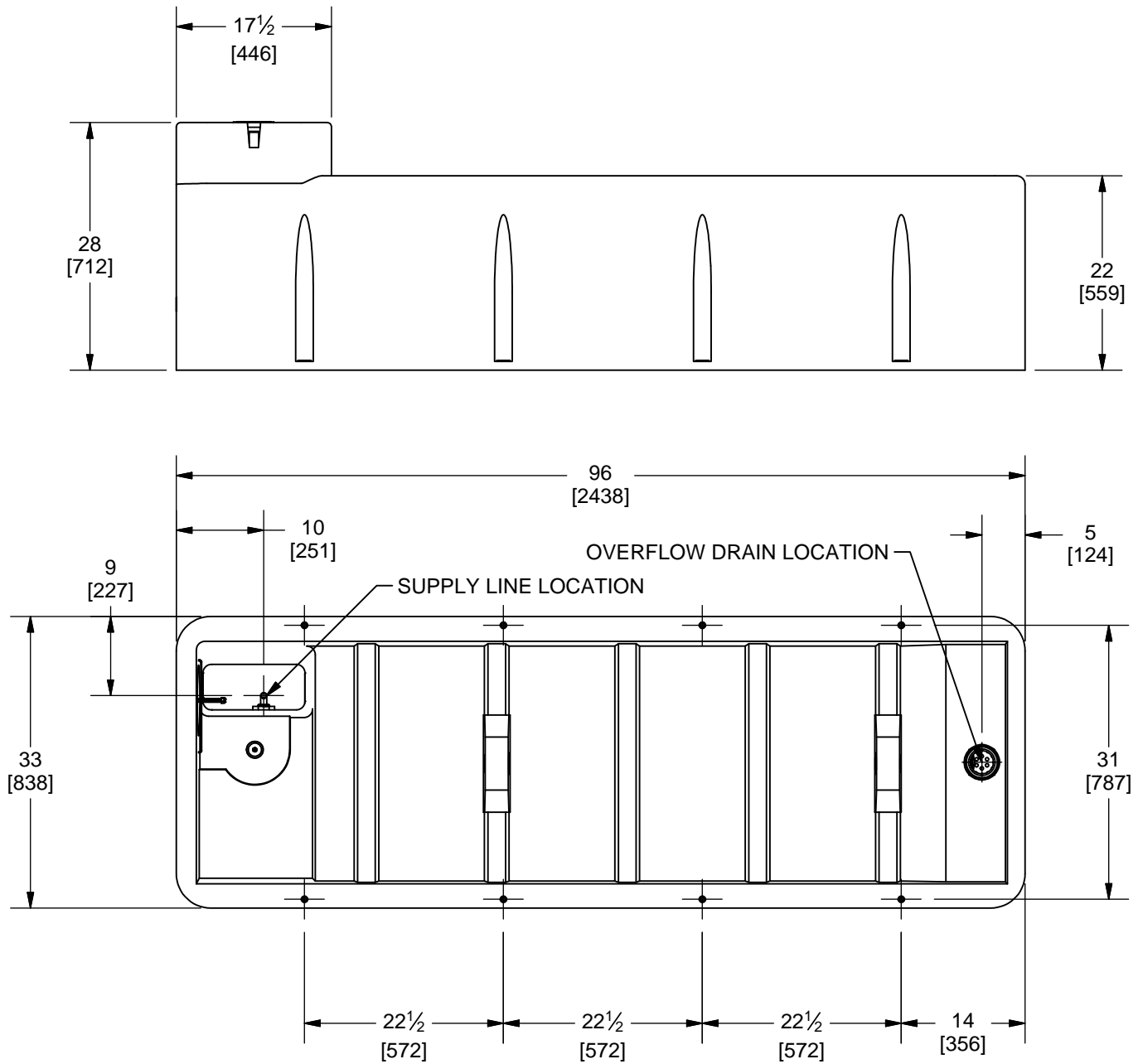


NOTE:

MOUNTING HOLE LOCATIONS ARE APPROXIMATE. DUE TO VARIATIONS IN MOLDING PROCESS IT IS NOT RECOMMENDED TO USE THIS DRAWING FOR LOCATING CONCRETE ANCHORS. IT IS RECOMMENDED TO WAIT UNTIL UNIT IS AVAILABLE FOR MEASUREMENT.

WATERMASTER 96

OVERALL DIMENSIONS

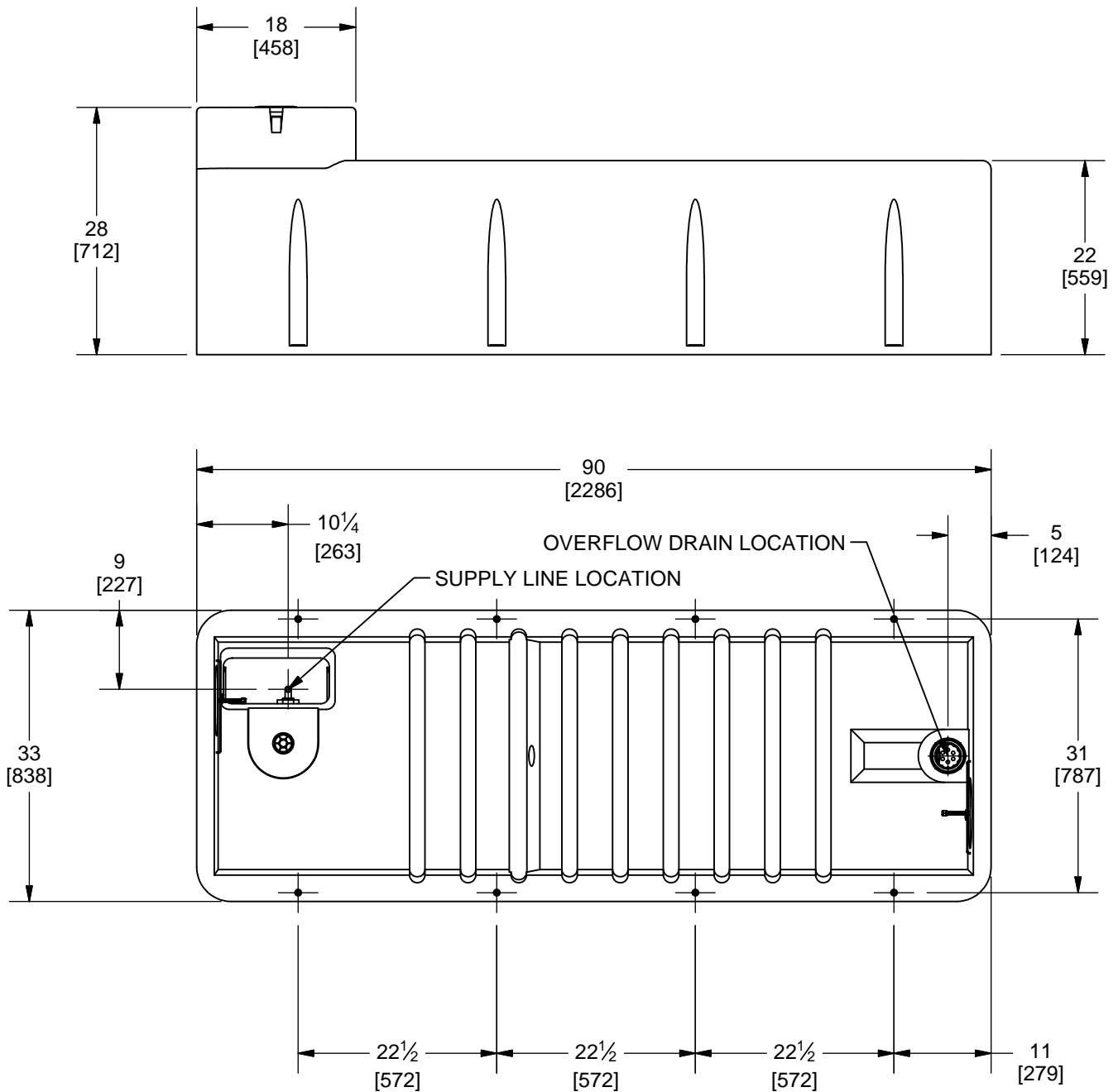


NOTE:

MOUNTING HOLE LOCATIONS ARE APPROXIMATE. DUE TO VARIATIONS IN MOLDING PROCESS IT IS NOT RECOMMENDED TO USE THIS DRAWING FOR LOCATING CONCRETE ANCHORS. IT IS RECOMMENDED TO WAIT UNTIL UNIT IS AVAILABLE FOR MEASUREMENT.

WATERMASTER 90

OVERALL DIMENSIONS

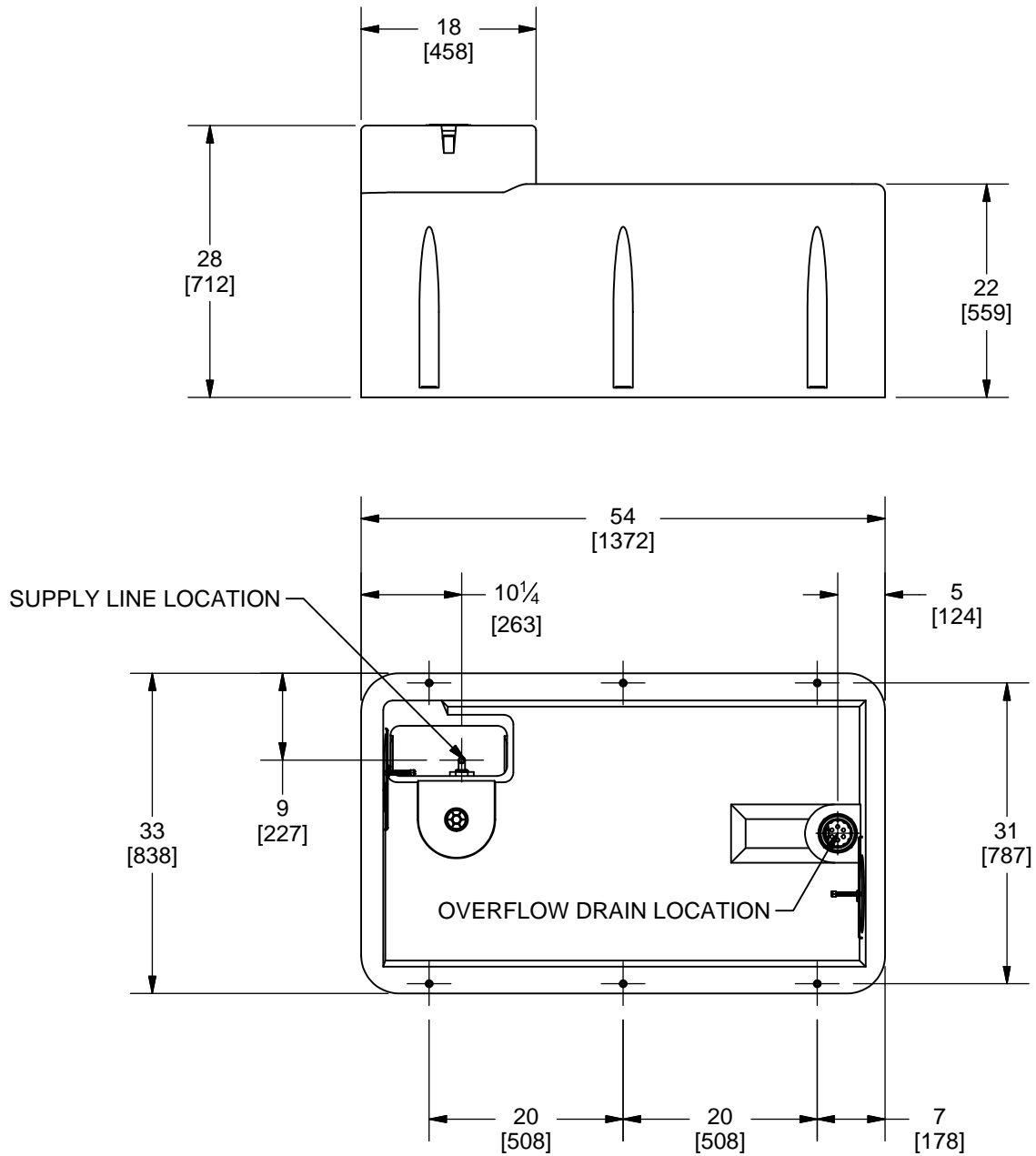


NOTE:

MOUNTING HOLE LOCATIONS ARE APPROXIMATE. DUE TO VARIATIONS IN MOLDING PROCESS IT IS NOT RECOMMENDED TO USE THIS DRAWING FOR LOCATING CONCRETE ANCHORS. IT IS RECOMMENDED TO WAIT UNTIL UNIT IS AVAILABLE FOR MEASUREMENT.

WATERMASTER 54

OVERALL DIMENSIONS

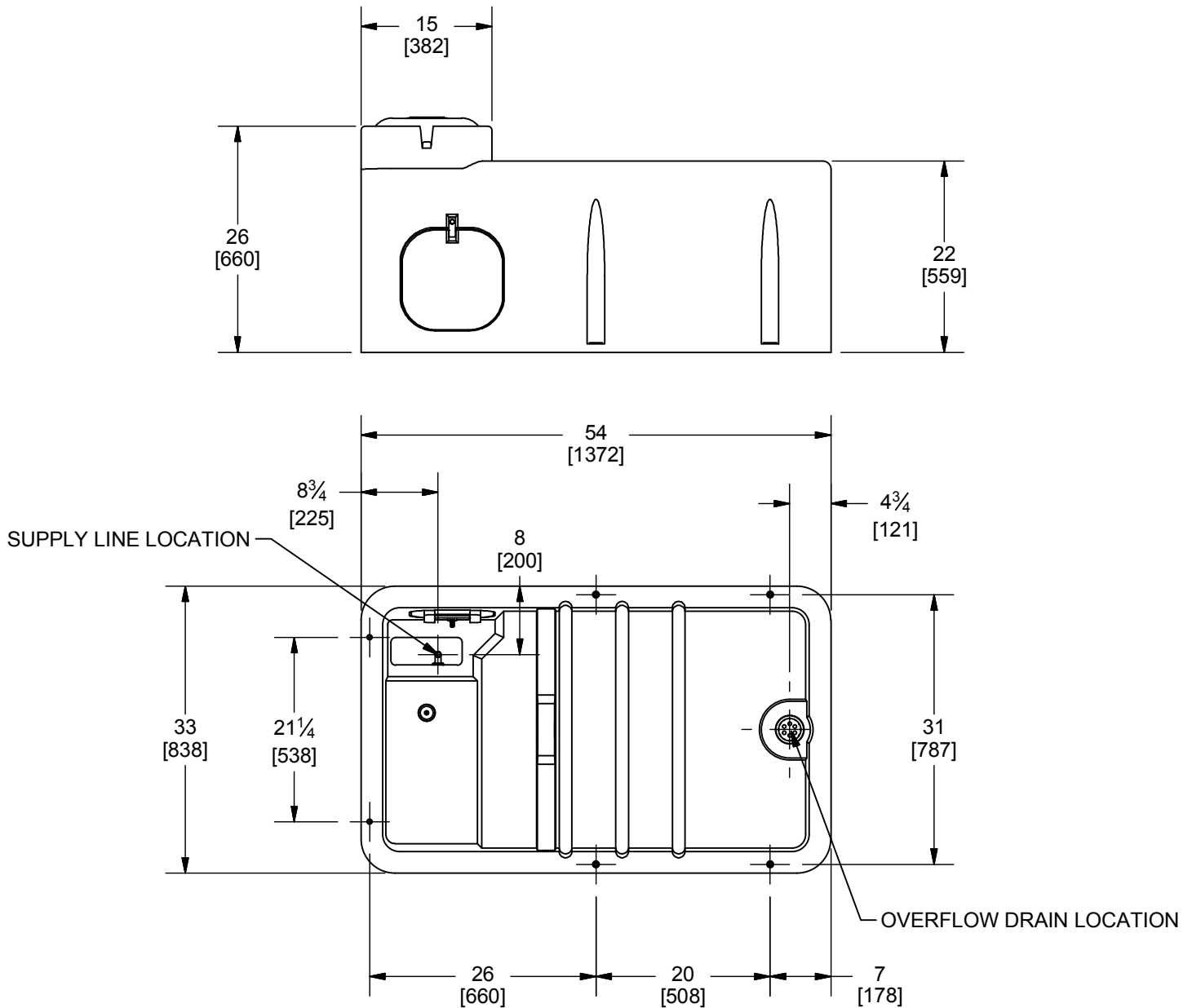


NOTE:

MOUNTING HOLE LOCATIONS ARE APPROXIMATE. DUE TO VARIATIONS IN MOLDING PROCESS IT IS NOT RECOMMENDED TO USE THIS DRAWING FOR LOCATING CONCRETE ANCHORS. IT IS RECOMMENDED TO WAIT UNTIL UNIT IS AVAILABLE FOR MEASUREMENT.

WATERMASTER 54 DEEP

OVERALL DIMENSIONS

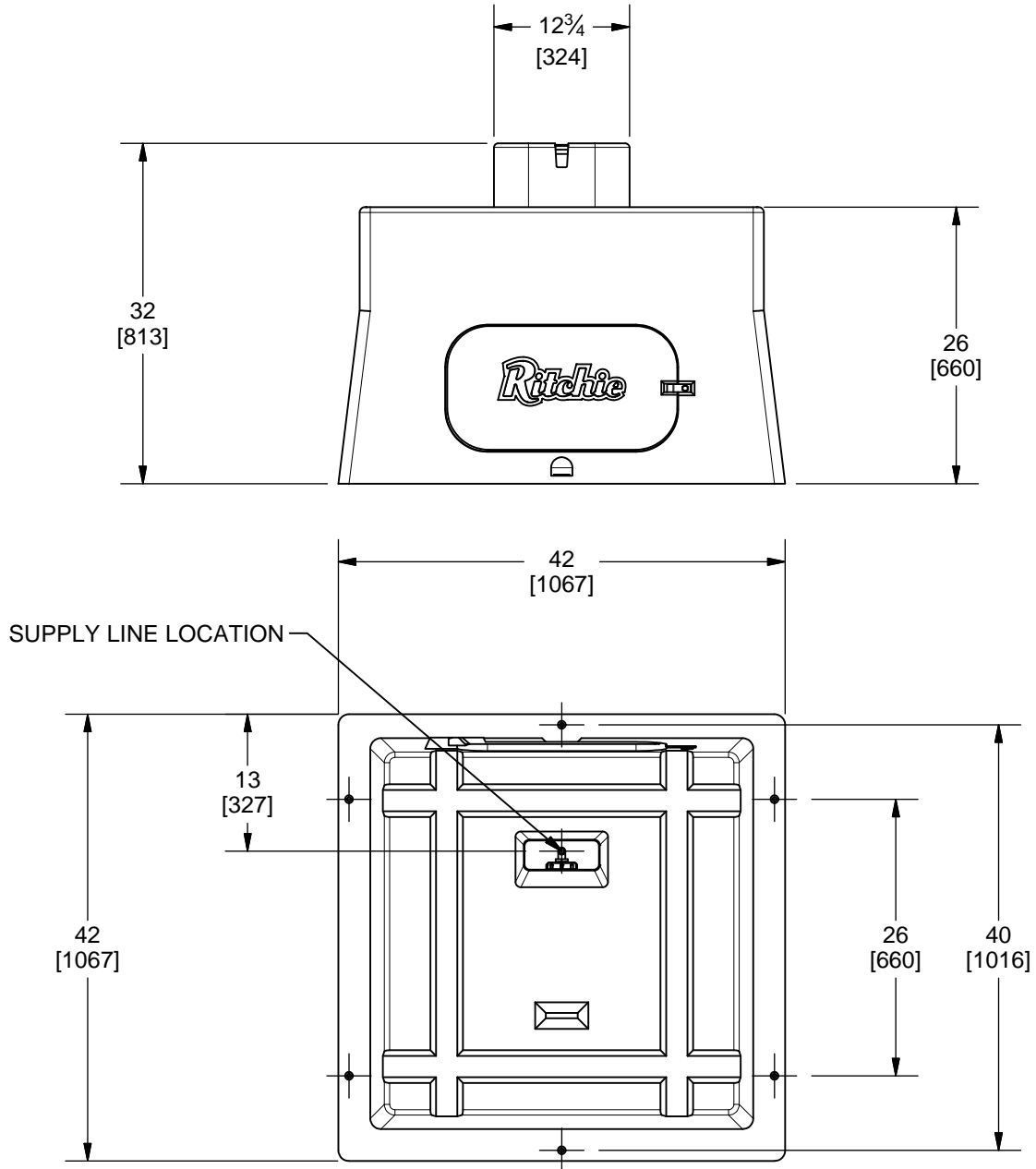


NOTE:

MOUNTING HOLE LOCATIONS ARE APPROXIMATE. DUE TO VARIATIONS IN MOLDING PROCESS IT IS NOT RECOMMENDED TO USE THIS DRAWING FOR LOCATING CONCRETE ANCHORS. IT IS RECOMMENDED TO WAIT UNTIL UNIT IS AVAILABLE FOR MEASUREMENT.

WATERMATIC 1000

OVERALL DIMENSIONS

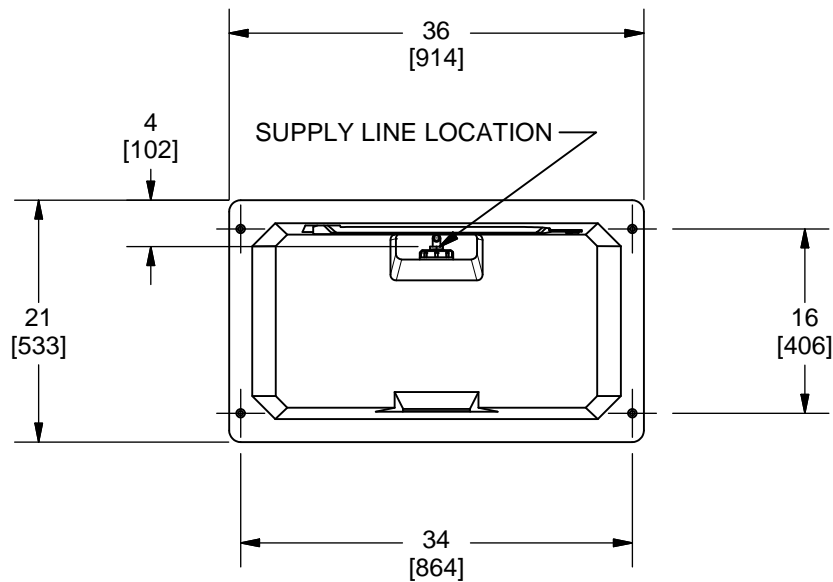
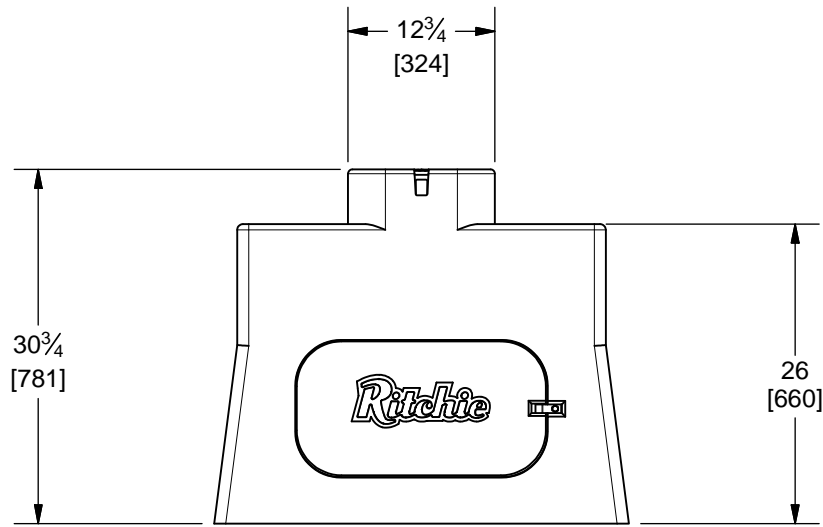


NOTE:

MOUNTING HOLE LOCATIONS ARE APPROXIMATE. DUE TO VARIATIONS IN MOLDING PROCESS IT IS NOT RECOMMENDED TO USE THIS DRAWING FOR LOCATING CONCRETE ANCHORS. IT IS RECOMMENDED TO WAIT UNTIL UNIT IS AVAILABLE FOR MEASUREMENT.

WATERMATIC 300

OVERALL DIMENSIONS

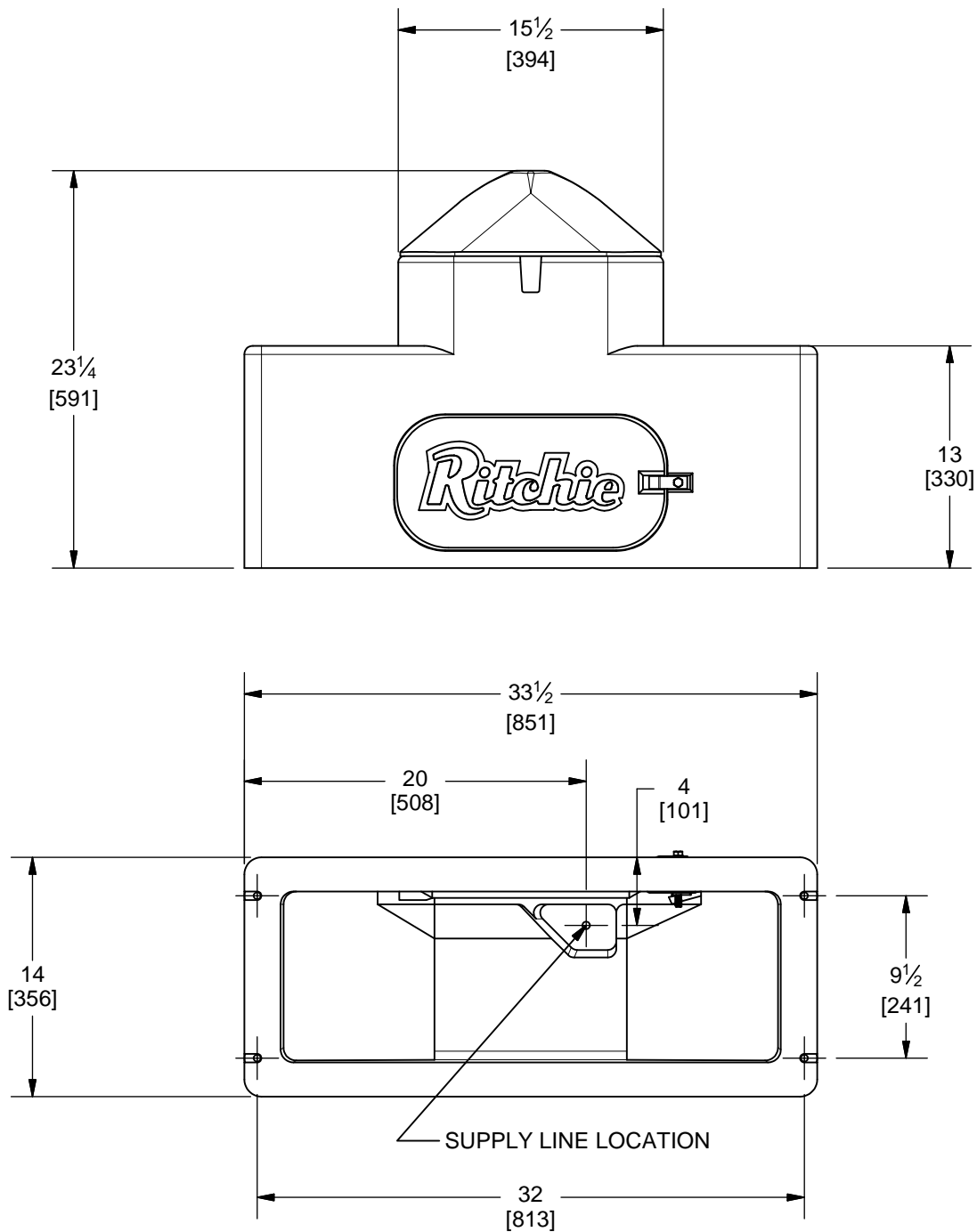


NOTE:

MOUNTING HOLE LOCATIONS ARE APPROXIMATE. DUE TO VARIATIONS IN MOLDING PROCESS IT IS NOT RECOMMENDED TO USE THIS DRAWING FOR LOCATING CONCRETE ANCHORS. IT IS RECOMMENDED TO WAIT UNTIL UNIT IS AVAILABLE FOR MEASUREMENT.

WATERMATIC 150S

OVERALL DIMENSIONS

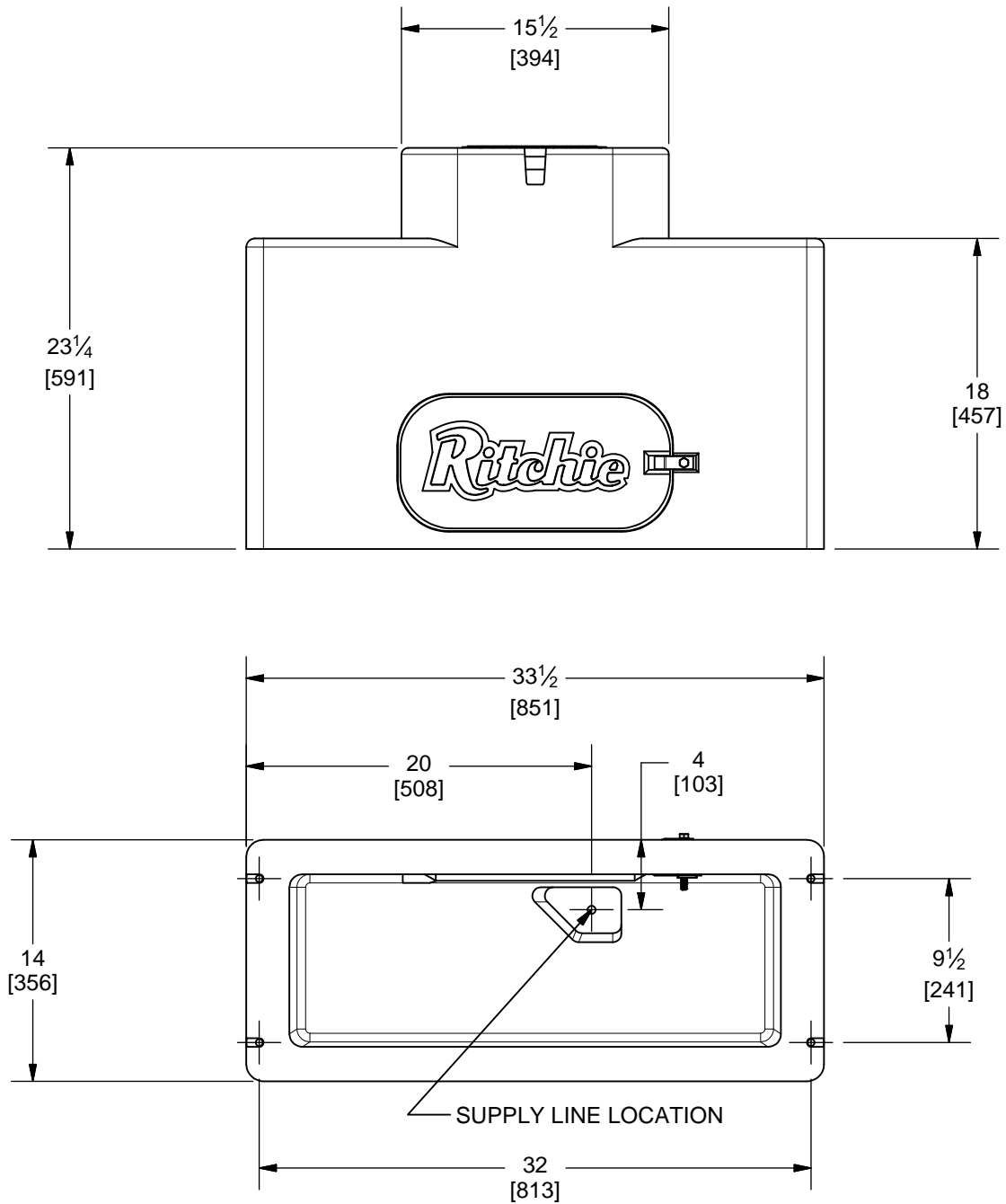


NOTE:

MOUNTING HOLE LOCATIONS ARE APPROXIMATE. DUE TO VARIATIONS IN MOLDING PROCESS IT IS NOT RECOMMENDED TO USE THIS DRAWING FOR LOCATING CONCRETE ANCHORS. IT IS RECOMMENDED TO WAIT UNTIL UNIT IS AVAILABLE FOR MEASUREMENT.

WATERMATIC 150

OVERALL DIMENSIONS

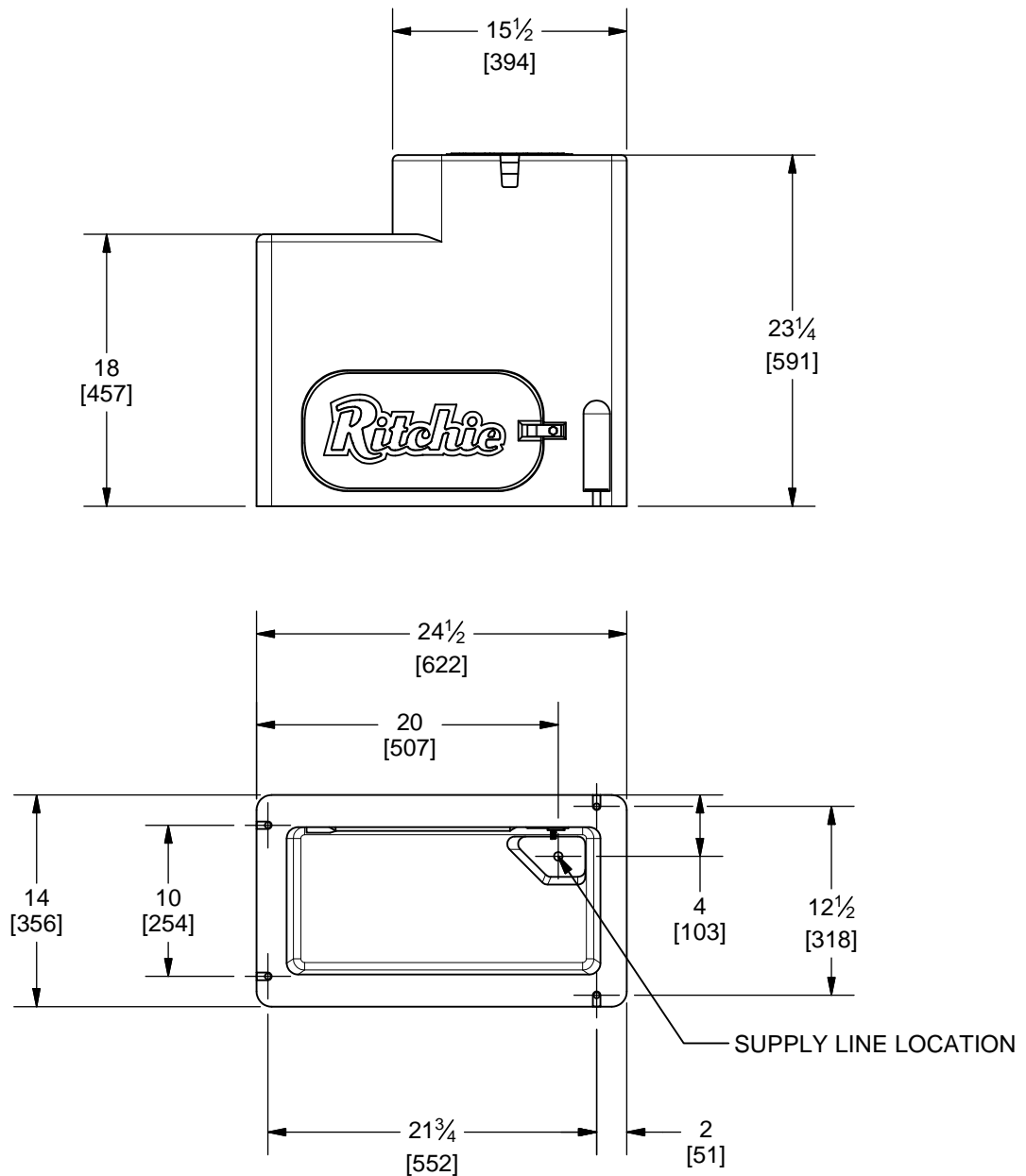


NOTE:

MOUNTING HOLE LOCATIONS ARE APPROXIMATE. DUE TO VARIATIONS IN MOLDING PROCESS IT IS NOT RECOMMENDED TO USE THIS DRAWING FOR LOCATING CONCRETE ANCHORS. IT IS RECOMMENDED TO WAIT UNTIL UNIT IS AVAILABLE FOR MEASUREMENT.

WATERMATIC 100

OVERALL DIMENSIONS

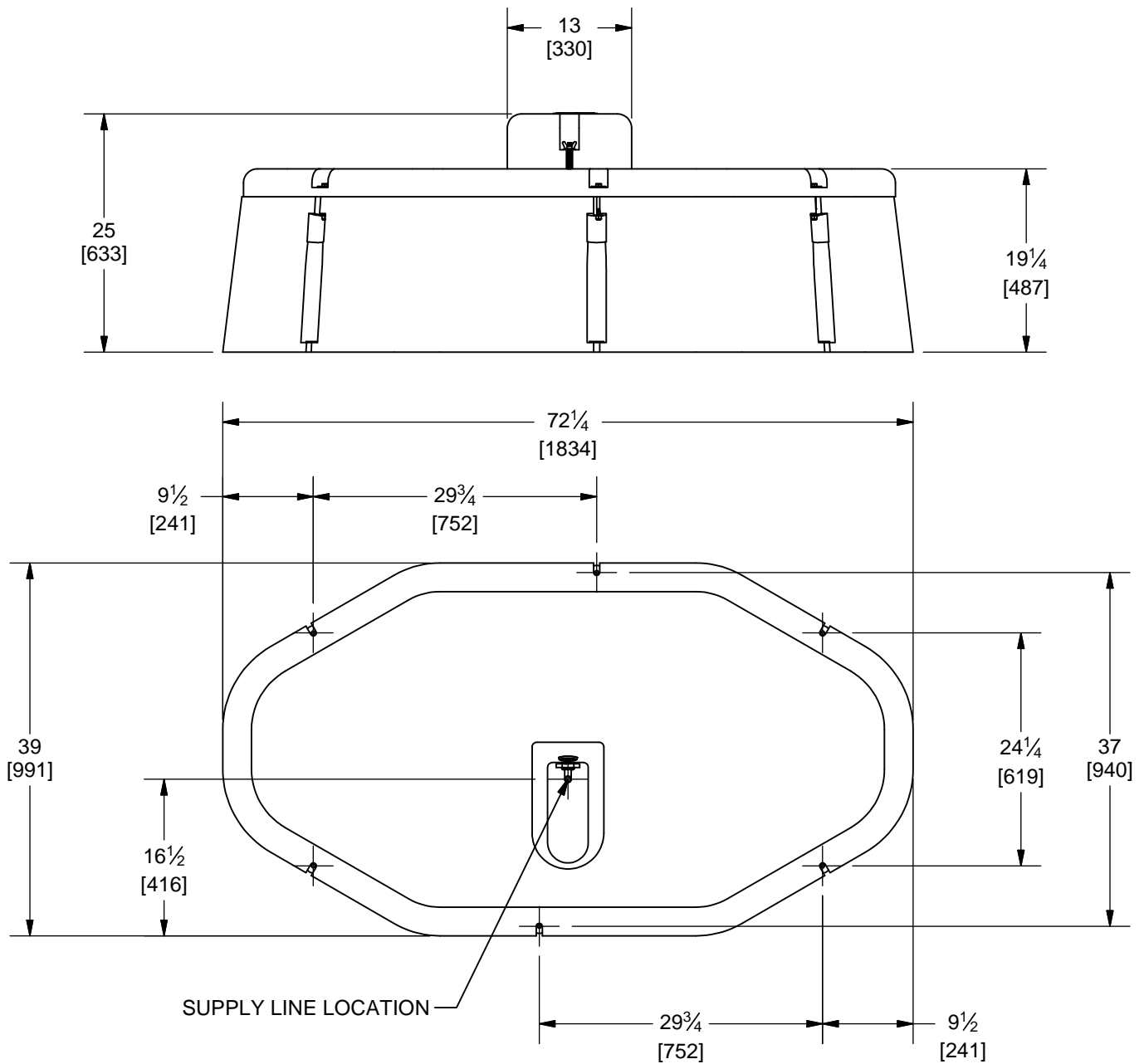


NOTE:

MOUNTING HOLE LOCATIONS ARE APPROXIMATE. DUE TO VARIATIONS IN MOLDING PROCESS IT IS NOT RECOMMENDED TO USE THIS DRAWING FOR LOCATING CONCRETE ANCHORS. IT IS RECOMMENDED TO WAIT UNTIL UNIT IS AVAILABLE FOR MEASUREMENT.

THRIFTY KING CT 6

OVERALL DIMENSIONS

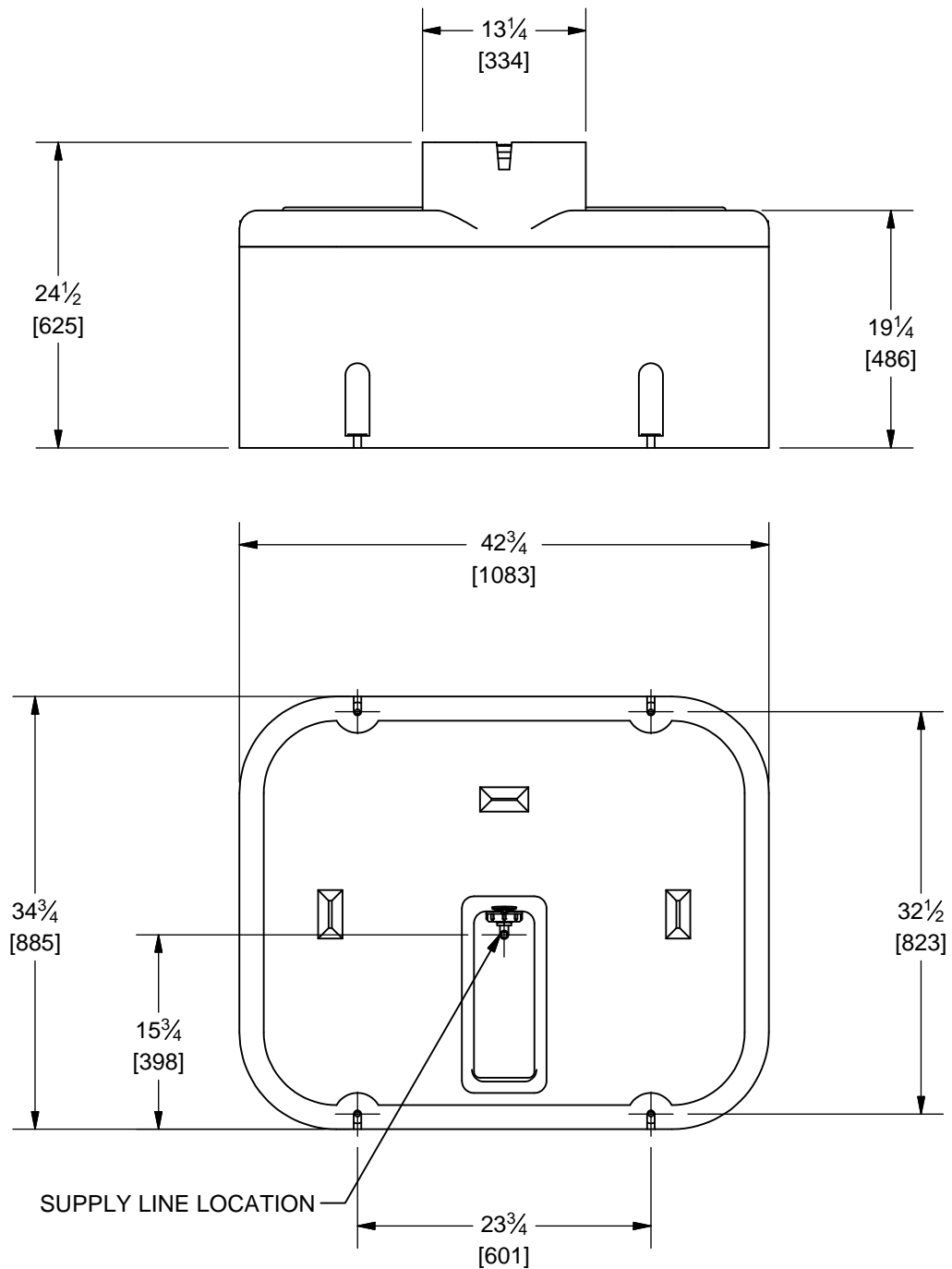


NOTE:

MOUNTING HOLE LOCATIONS ARE APPROXIMATE. DUE TO VARIATIONS IN MOLDING PROCESS IT IS NOT RECOMMENDED TO USE THIS DRAWING FOR LOCATING CONCRETE ANCHORS. IT IS RECOMMENDED TO WAIT UNTIL UNIT IS AVAILABLE FOR MEASUREMENT.

THRIFTY KING CT 4

OVERALL DIMENSIONS

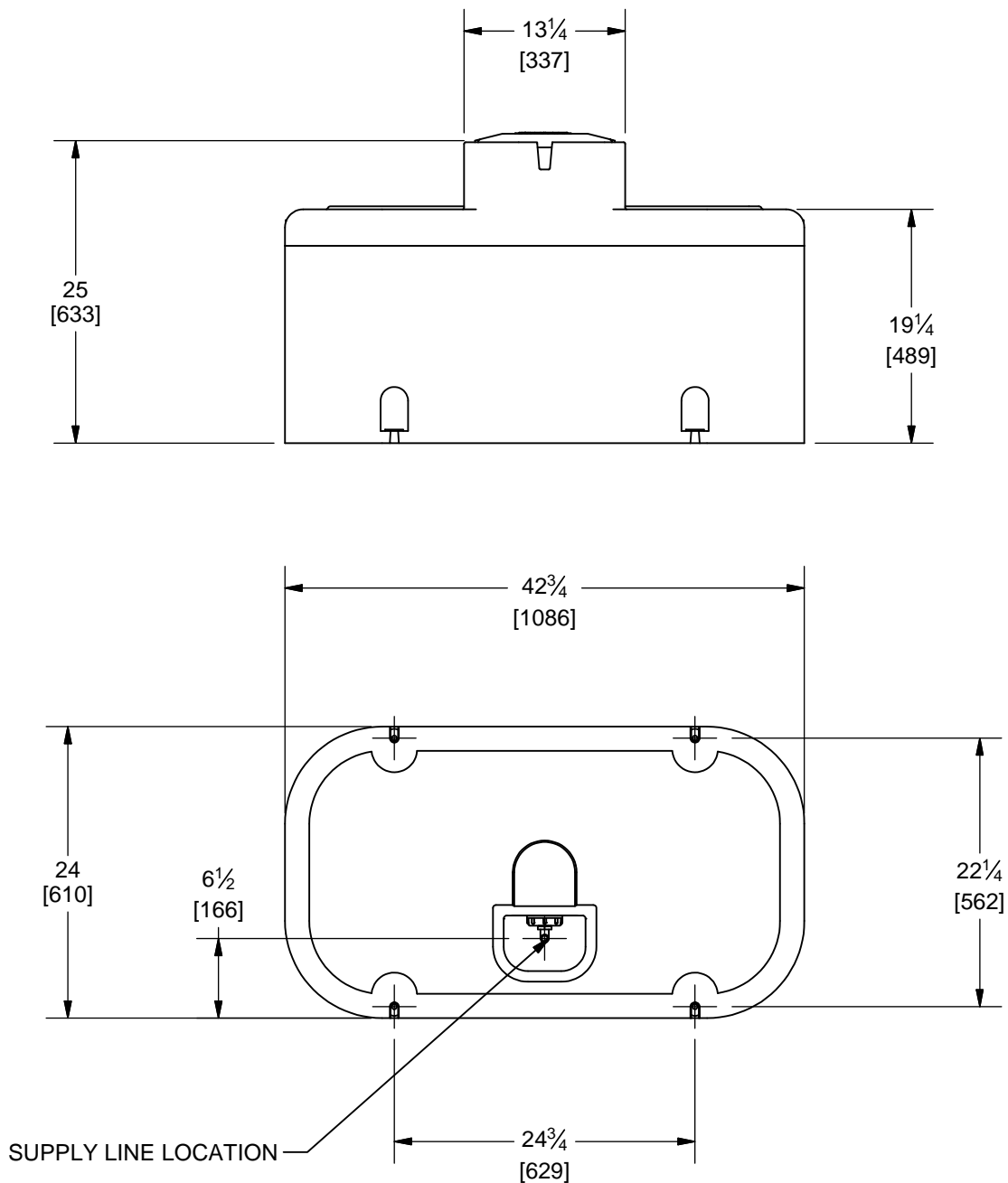


NOTE:

MOUNTING HOLE LOCATIONS ARE APPROXIMATE. DUE TO VARIATIONS IN MOLDING PROCESS IT IS NOT RECOMMENDED TO USE THIS DRAWING FOR LOCATING CONCRETE ANCHORS. IT IS RECOMMENDED TO WAIT UNTIL UNIT IS AVAILABLE FOR MEASUREMENT.

THRIFTY KING CT 2

OVERALL DIMENSIONS

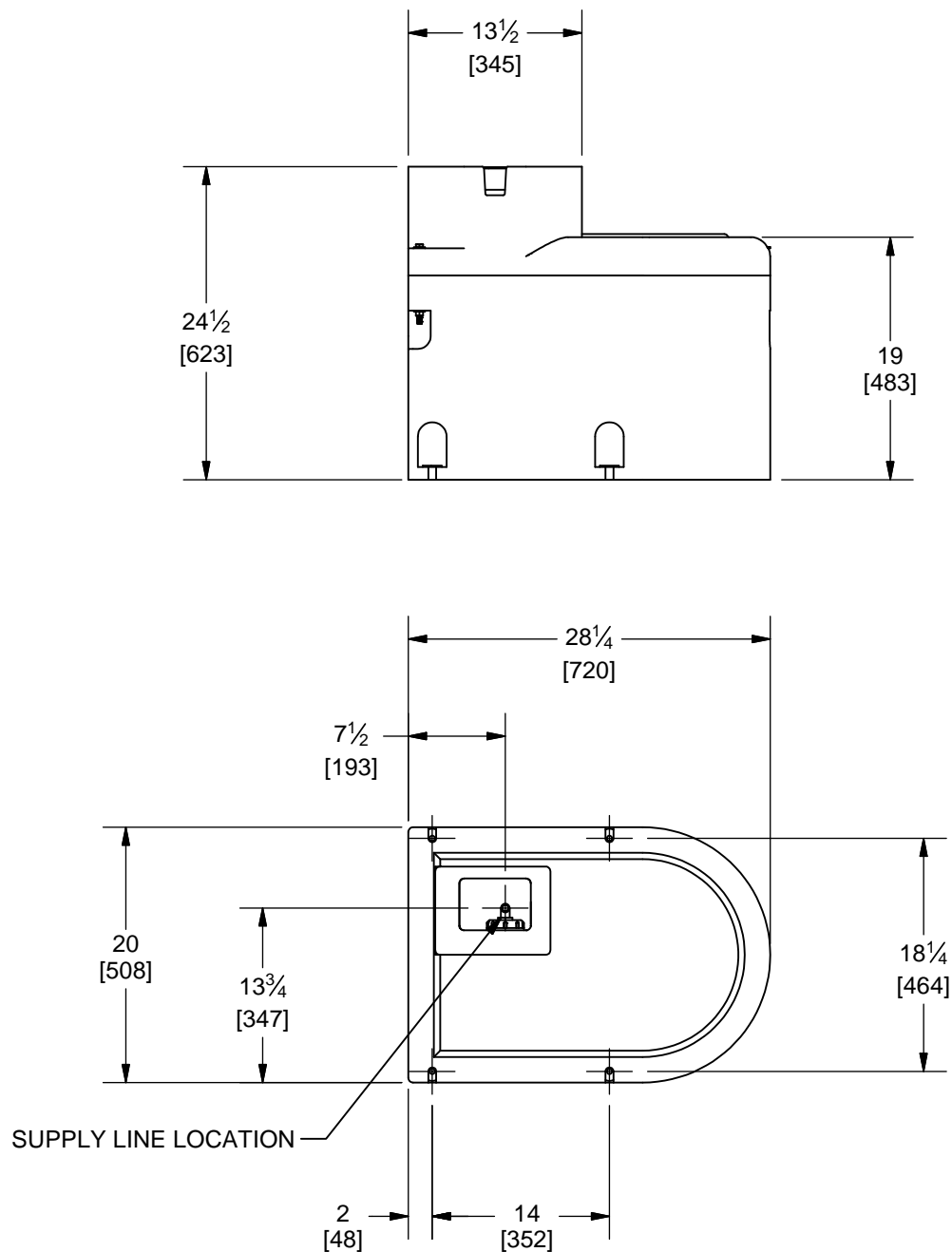


NOTE:

MOUNTING HOLE LOCATIONS ARE APPROXIMATE. DUE TO VARIATIONS IN MOLDING PROCESS IT IS NOT RECOMMENDED TO USE THIS DRAWING FOR LOCATING CONCRETE ANCHORS. IT IS RECOMMENDED TO WAIT UNTIL UNIT IS AVAILABLE FOR MEASUREMENT.

THRIFTY KING CT 1

OVERALL DIMENSIONS

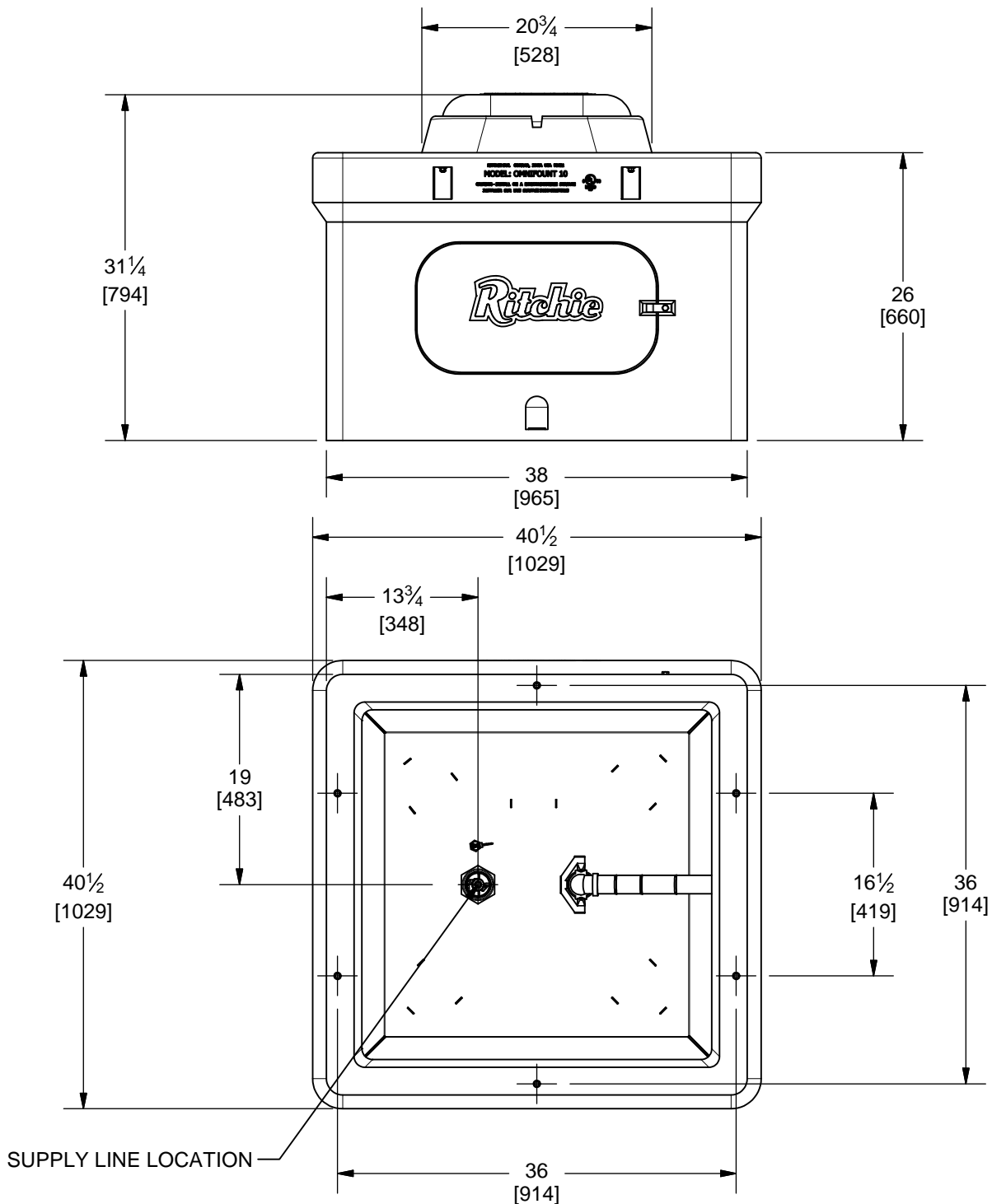


NOTE:

MOUNTING HOLE LOCATIONS ARE APPROXIMATE. DUE TO VARIATIONS IN MOLDING PROCESS IT IS NOT RECOMMENDED TO USE THIS DRAWING FOR LOCATING CONCRETE ANCHORS. IT IS RECOMMENDED TO WAIT UNTIL UNIT IS AVAILABLE FOR MEASUREMENT.

OMNI FOUNT 10

OVERALL DIMENSIONS

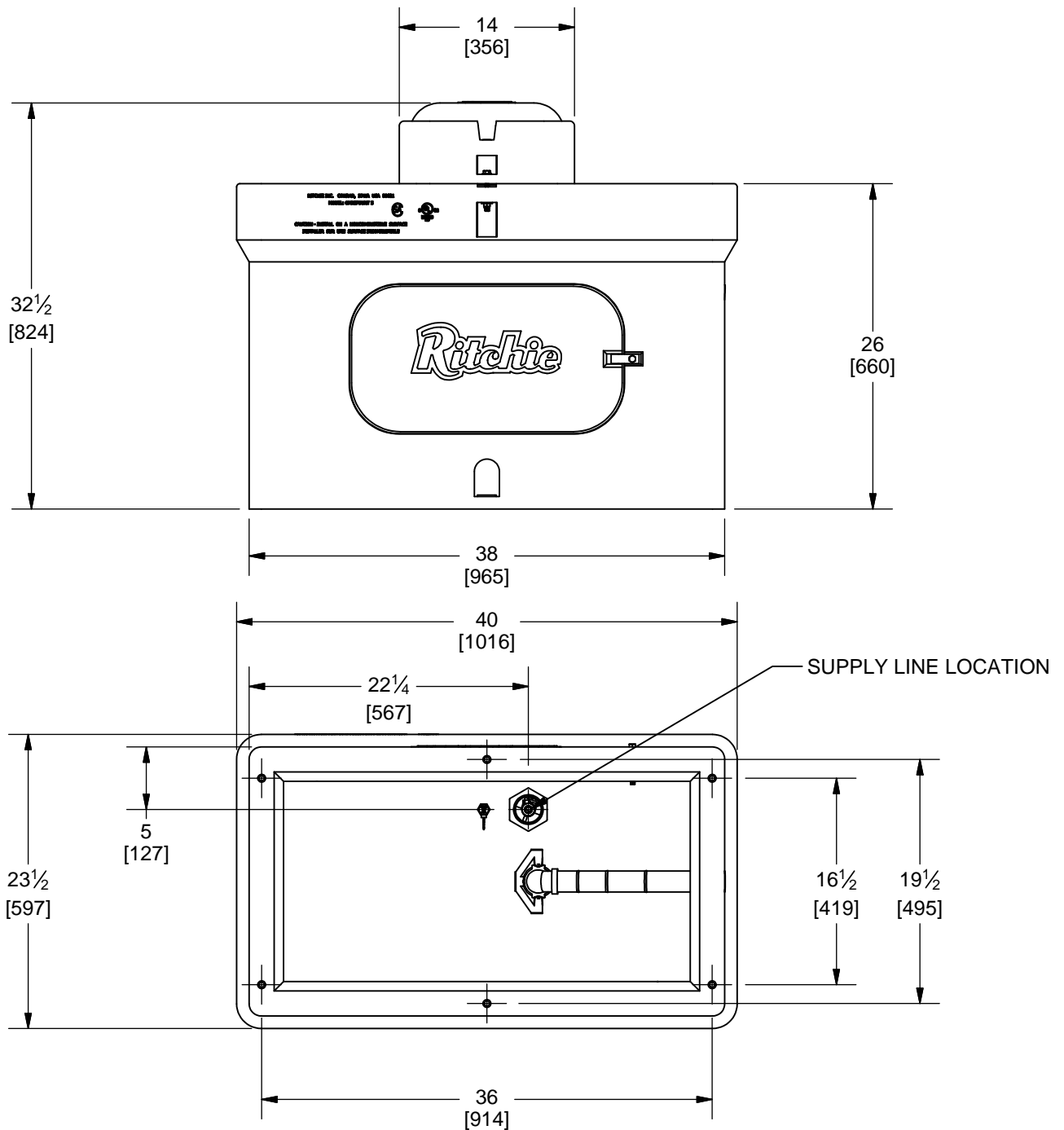


NOTE:

MOUNTING HOLE LOCATIONS ARE APPROXIMATE. DUE TO VARIATIONS IN MOLDING PROCESS IT IS NOT RECOMMENDED TO USE THIS DRAWING FOR LOCATING CONCRETE ANCHORS. IT IS RECOMMENDED TO WAIT UNTIL UNIT IS AVAILABLE FOR MEASUREMENT.

OMNI FOUNT 5

OVERALL DIMENSIONS

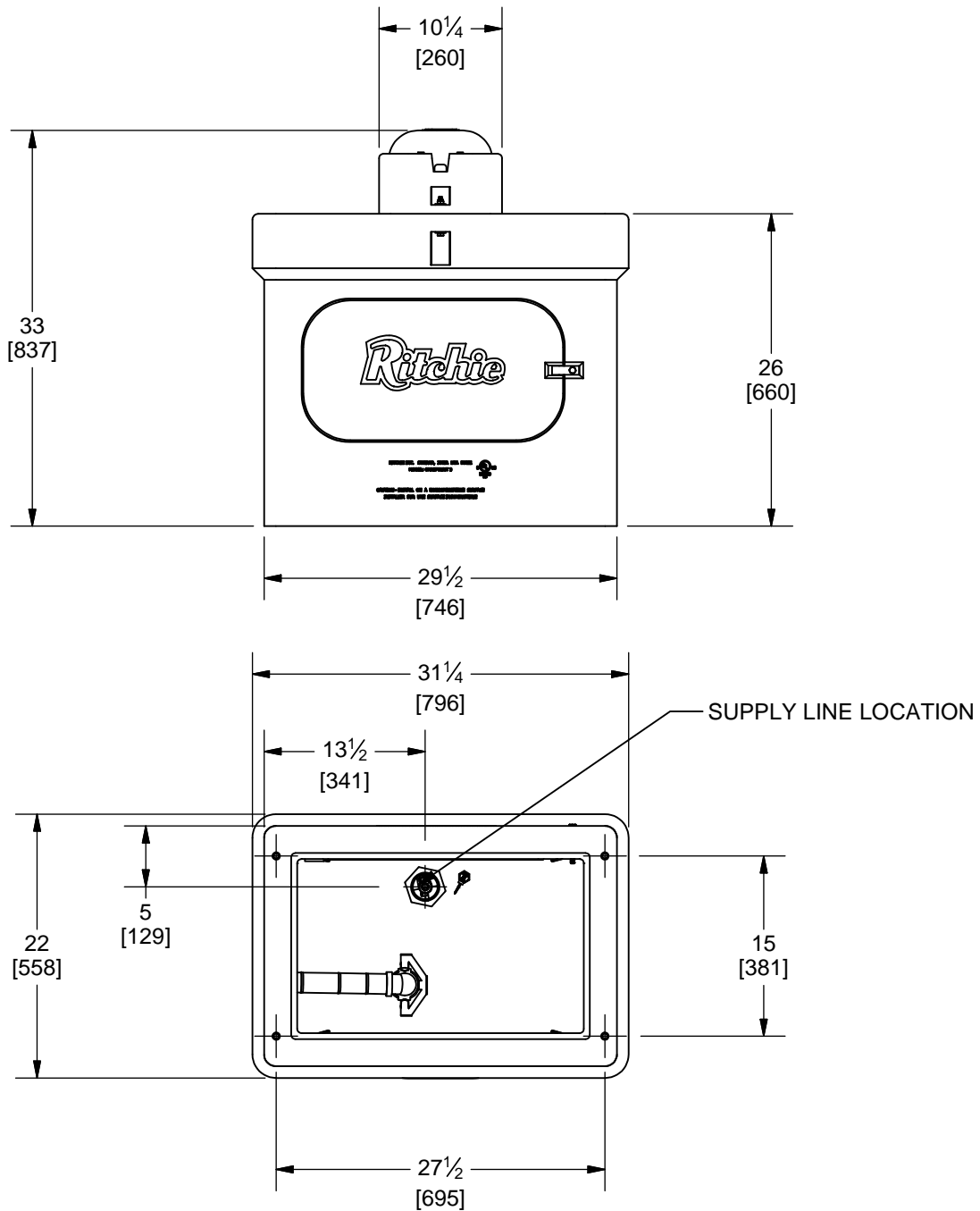


NOTE:

MOUNTING HOLE LOCATIONS ARE APPROXIMATE. DUE TO VARIATIONS IN MOLDING PROCESS IT IS NOT RECOMMENDED TO USE THIS DRAWING FOR LOCATING CONCRETE ANCHORS. IT IS RECOMMENDED TO WAIT UNTIL UNIT IS AVAILABLE FOR MEASUREMENT.

OMNI FOUNT 3

OVERALL DIMENSIONS

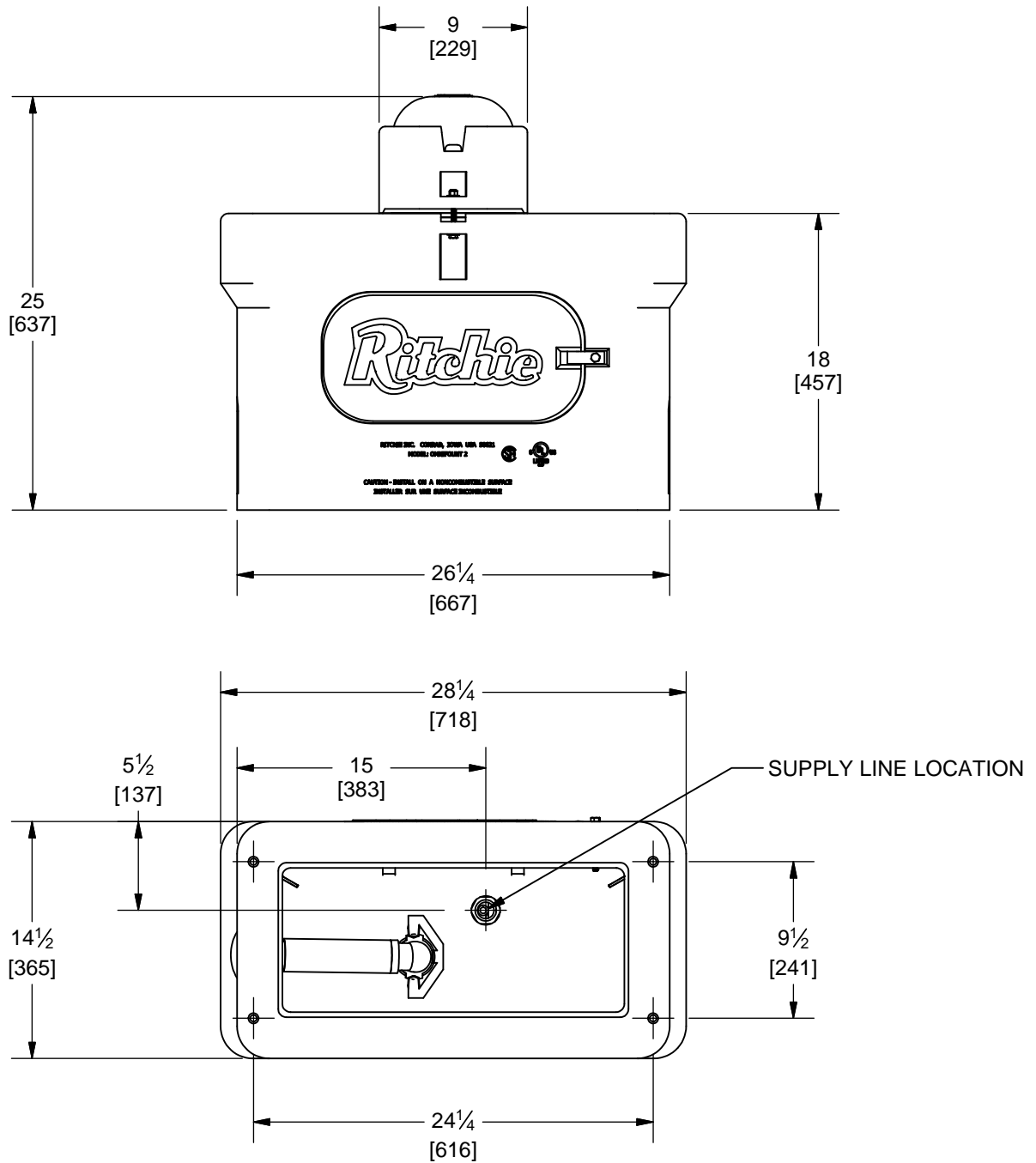


NOTE:

MOUNTING HOLE LOCATIONS ARE APPROXIMATE. DUE TO VARIATIONS IN MOLDING PROCESS IT IS NOT RECOMMENDED TO USE THIS DRAWING FOR LOCATING CONCRETE ANCHORS. IT IS RECOMMENDED TO WAIT UNTIL UNIT IS AVAILABLE FOR MEASUREMENT.

OMNI FOUNT 2

OVERALL DIMENSIONS

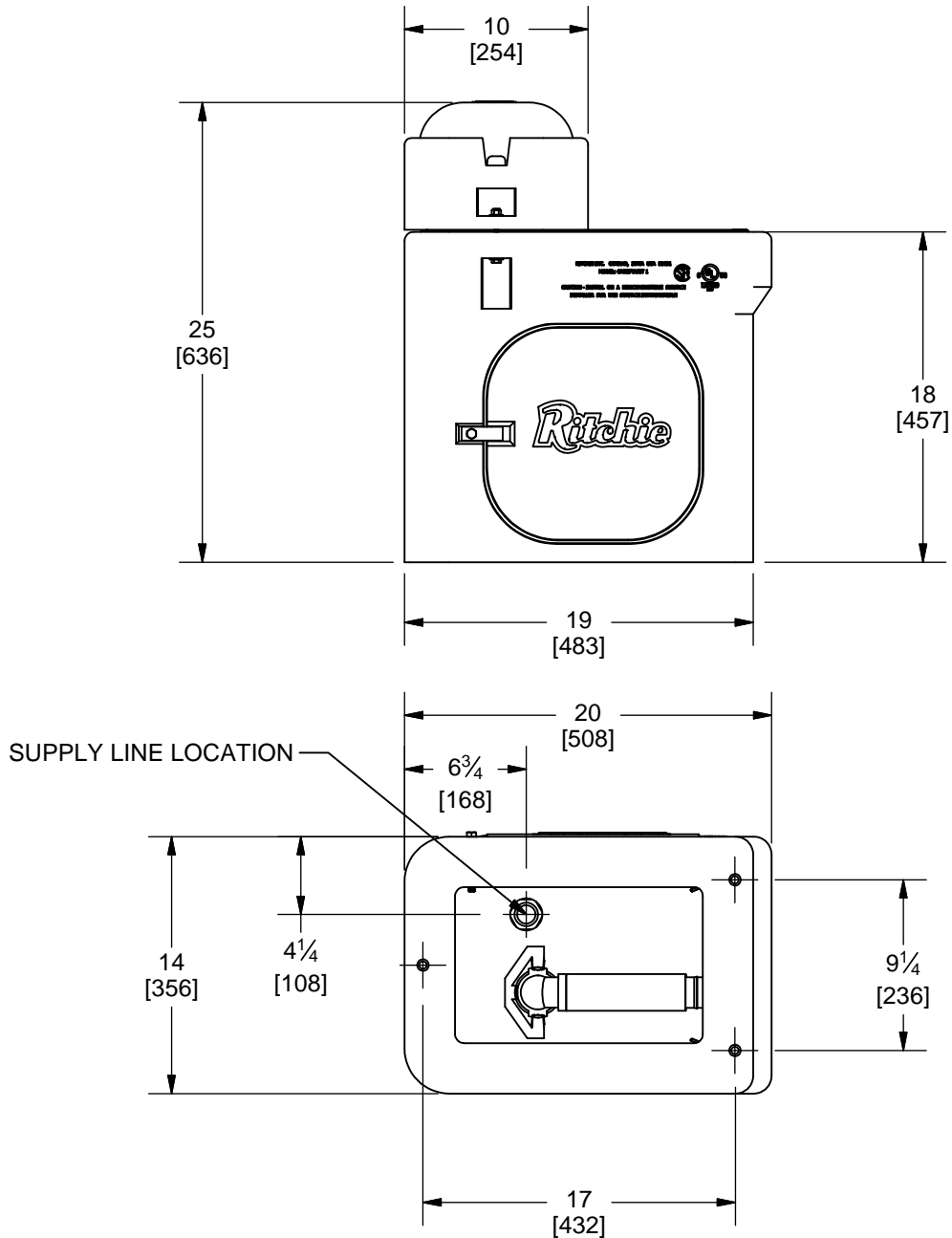


NOTE:

MOUNTING HOLE LOCATIONS ARE APPROXIMATE. DUE TO VARIATIONS IN MOLDING PROCESS IT IS NOT RECOMMENDED TO USE THIS DRAWING FOR LOCATING CONCRETE ANCHORS. IT IS RECOMMENDED TO WAIT UNTIL UNIT IS AVAILABLE FOR MEASUREMENT.

OMNI FOUNT 1

OVERALL DIMENSIONS

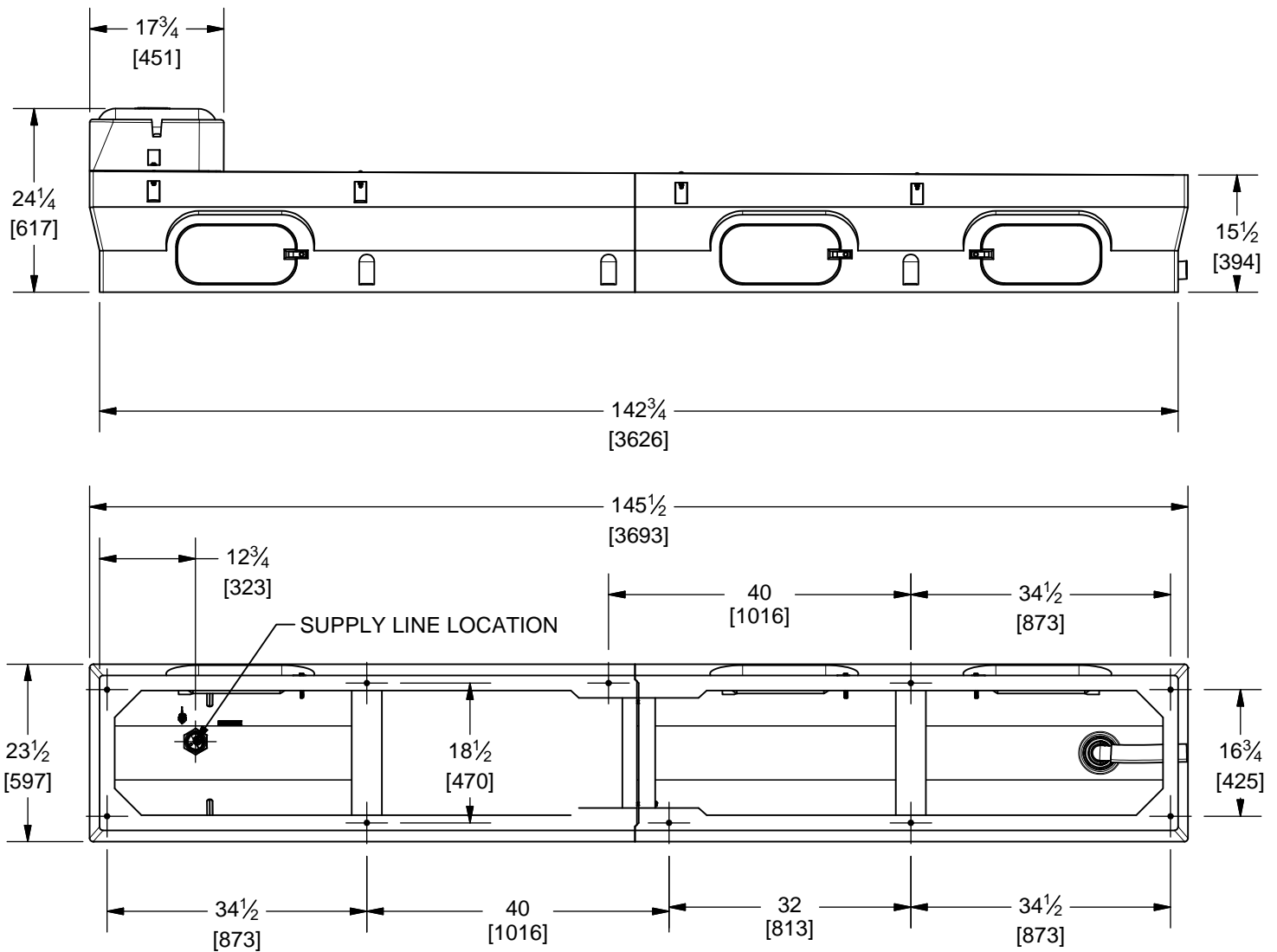


NOTE:

MOUNTING HOLE LOCATIONS ARE APPROXIMATE. DUE TO VARIATIONS IN MOLDING PROCESS IT IS NOT RECOMMENDED TO USE THIS DRAWING FOR LOCATING CONCRETE ANCHORS. IT IS RECOMMENDED TO WAIT UNTIL UNIT IS AVAILABLE FOR MEASUREMENT.

CATTLEMASTER 1440

OVERALL DIMENSIONS

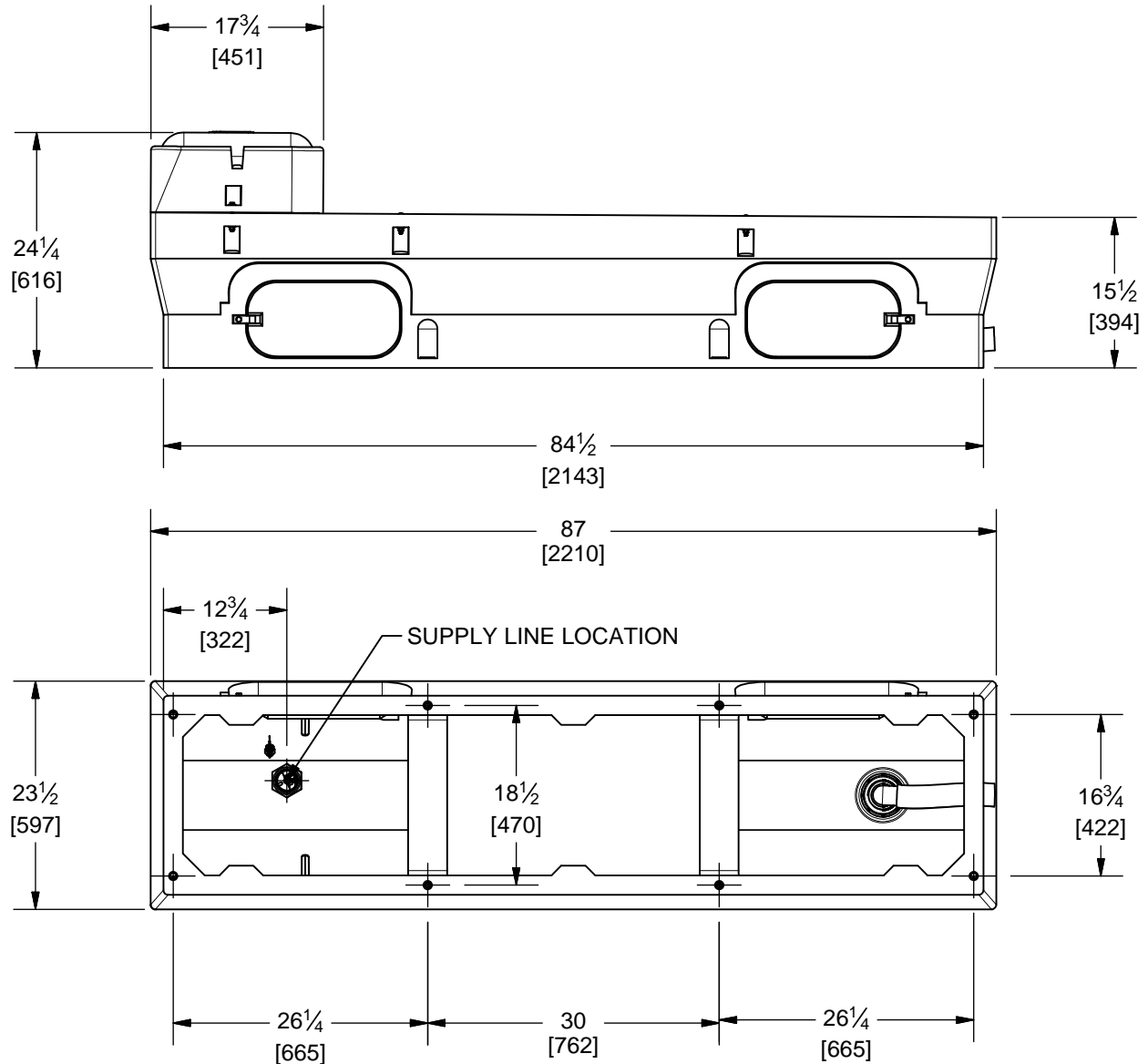


NOTE:

MOUNTING HOLE LOCATIONS ARE APPROXIMATE. DUE TO VARIATIONS IN MOLDING PROCESS IT IS NOT RECOMMENDED TO USE THIS DRAWING FOR LOCATING CONCRETE ANCHORS. IT IS RECOMMENDED TO WAIT UNTIL UNIT IS AVAILABLE FOR MEASUREMENT.

CATTLEMASTER 840

OVERALL DIMENSIONS

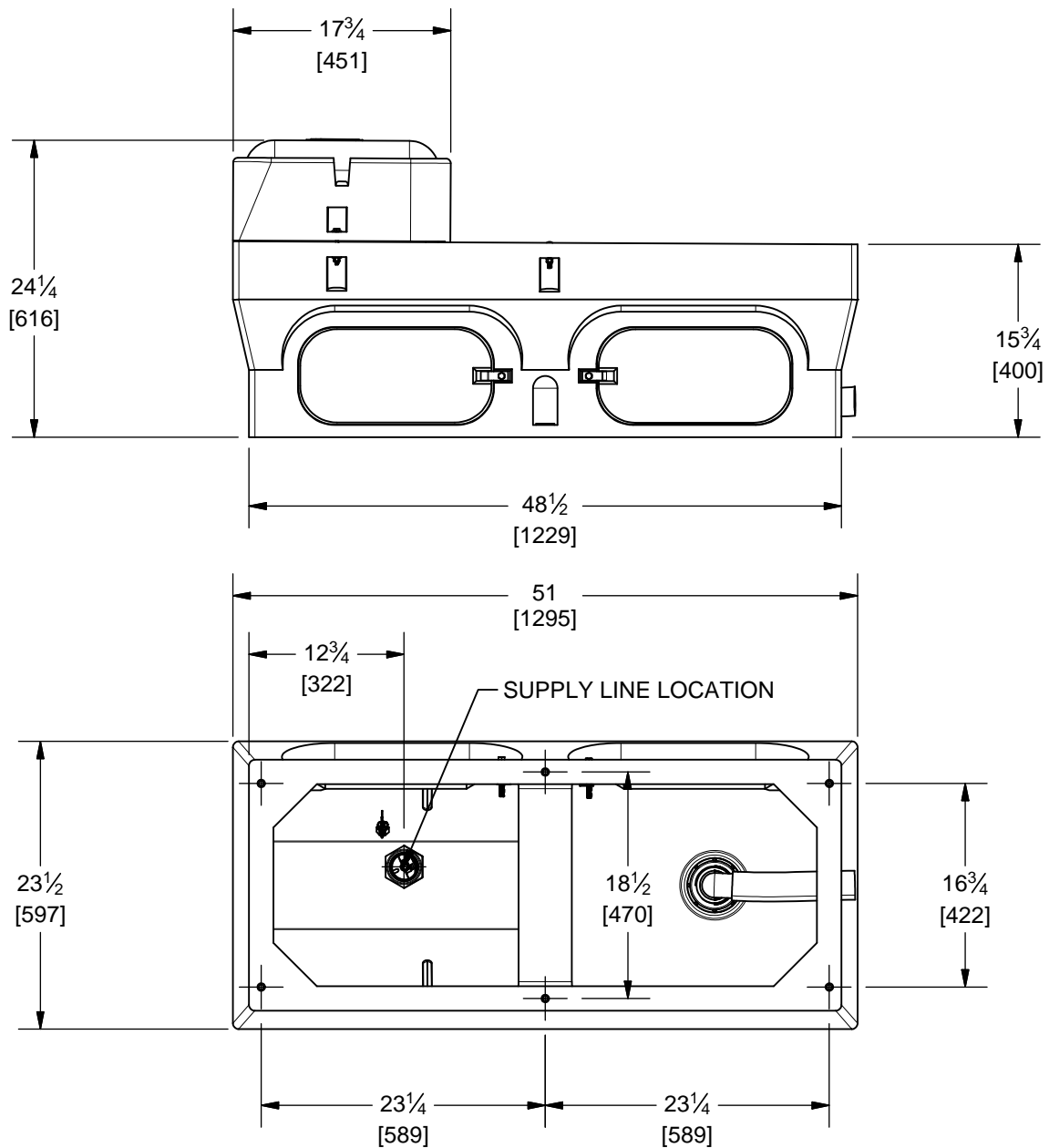


NOTE:

MOUNTING HOLE LOCATIONS ARE APPROXIMATE. DUE TO VARIATIONS IN MOLDING PROCESS IT IS NOT RECOMMENDED TO USE THIS DRAWING FOR LOCATING CONCRETE ANCHORS. IT IS RECOMMENDED TO WAIT UNTIL UNIT IS AVAILABLE FOR MEASUREMENT.

CATTLEMASTER 480

OVERALL DIMENSIONS

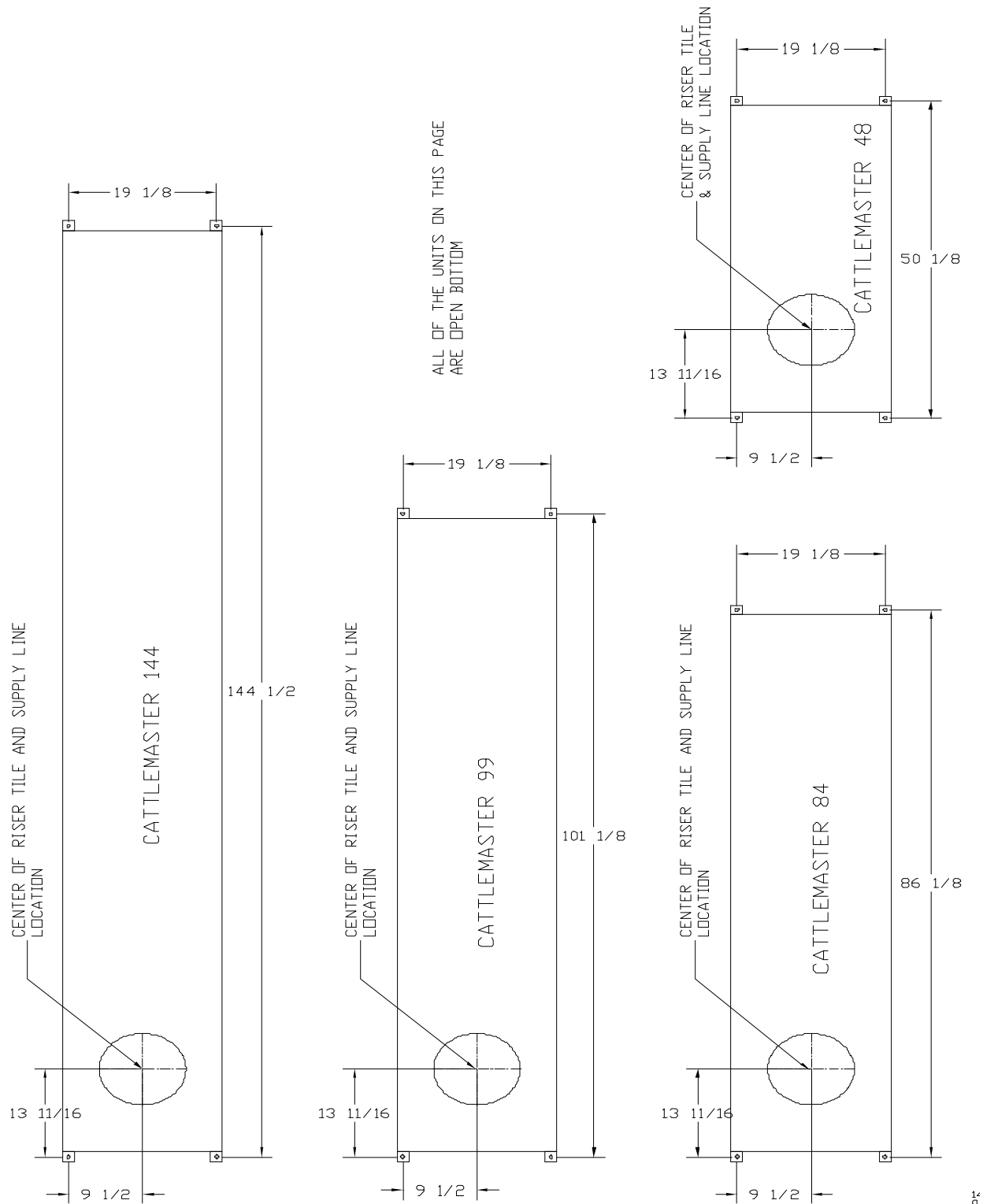


NOTE:

MOUNTING HOLE LOCATIONS ARE APPROXIMATE. DUE TO VARIATIONS IN MOLDING PROCESS IT IS NOT RECOMMENDED TO USE THIS DRAWING FOR LOCATING CONCRETE ANCHORS. IT IS RECOMMENDED TO WAIT UNTIL UNIT IS AVAILABLE FOR MEASUREMENT.

CATTLEMASTER ANCHOR LOCATIONS

OVERALL DIMENSIONS

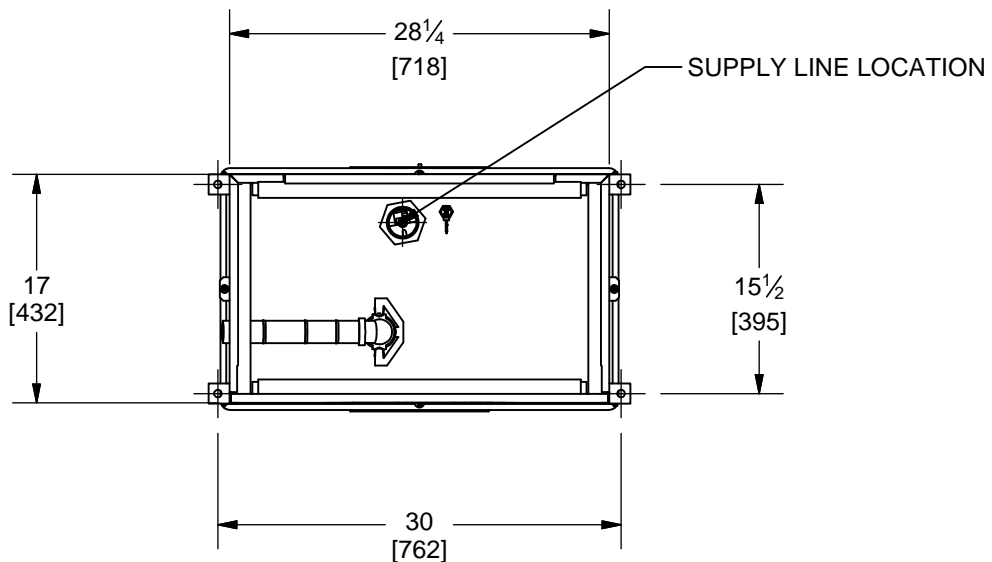
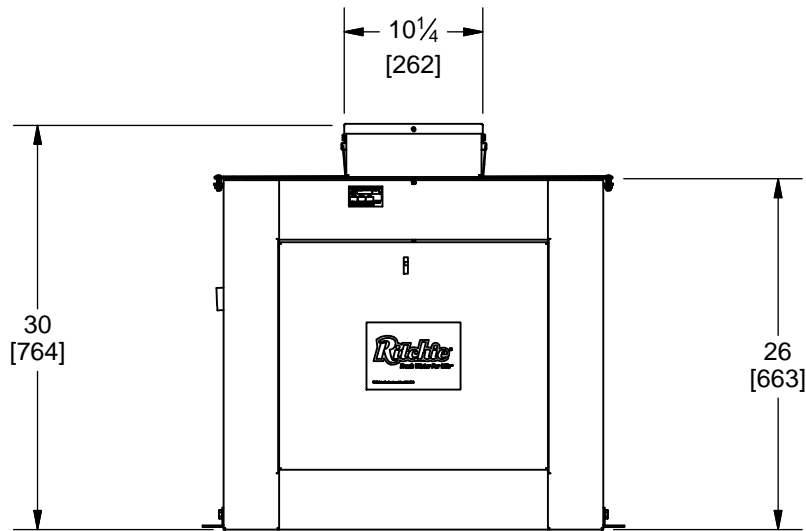


NOTE:

MOUNTING HOLE LOCATIONS ARE APPROXIMATE. DUE TO VARIATIONS IN MOLDING PROCESS IT IS NOT RECOMMENDED TO USE THIS DRAWING FOR LOCATING CONCRETE ANCHORS. IT IS RECOMMENDED TO WAIT UNTIL UNIT IS AVAILABLE FOR MEASUREMENT.

CATTLE FOUNT 3 & 3C

OVERALL DIMENSIONS

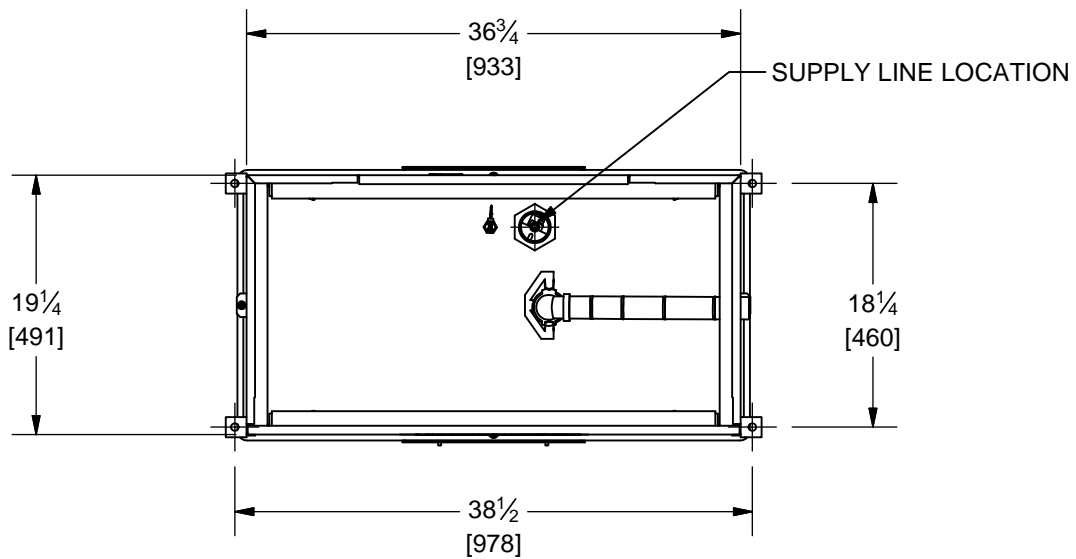
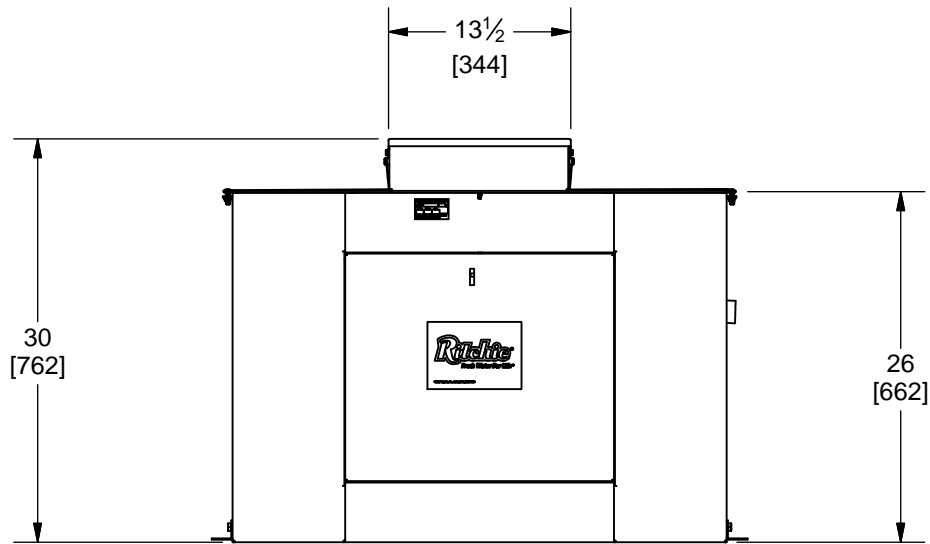


NOTE:

MOUNTING HOLE LOCATIONS ARE APPROXIMATE. DUE TO VARIATIONS IN MOLDING PROCESS IT IS NOT RECOMMENDED TO USE THIS DRAWING FOR LOCATING CONCRETE ANCHORS. IT IS RECOMMENDED TO WAIT UNTIL UNIT IS AVAILABLE FOR MEASUREMENT.

CATTLE FOUNT 5

OVERALL DIMENSIONS

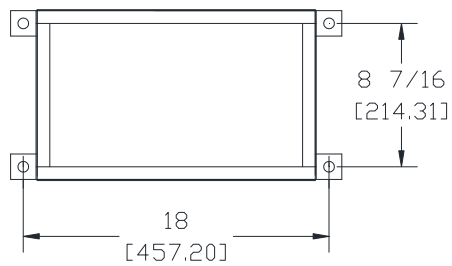


NOTE:

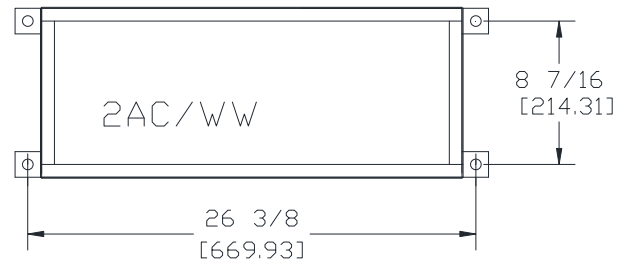
MOUNTING HOLE LOCATIONS ARE APPROXIMATE. DUE TO VARIATIONS IN MOLDING PROCESS IT IS NOT RECOMMENDED TO USE THIS DRAWING FOR LOCATING CONCRETE ANCHORS. IT IS RECOMMENDED TO WAIT UNTIL UNIT IS AVAILABLE FOR MEASUREMENT.

ALL PURPOSE, COMMANDER ANCHOR LOCATIONS

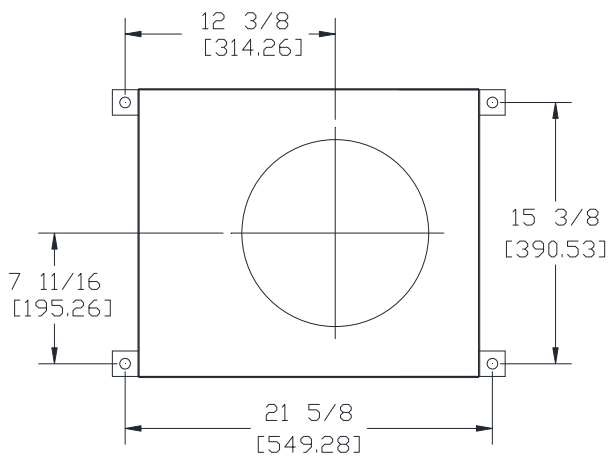
OVERALL DIMENSIONS



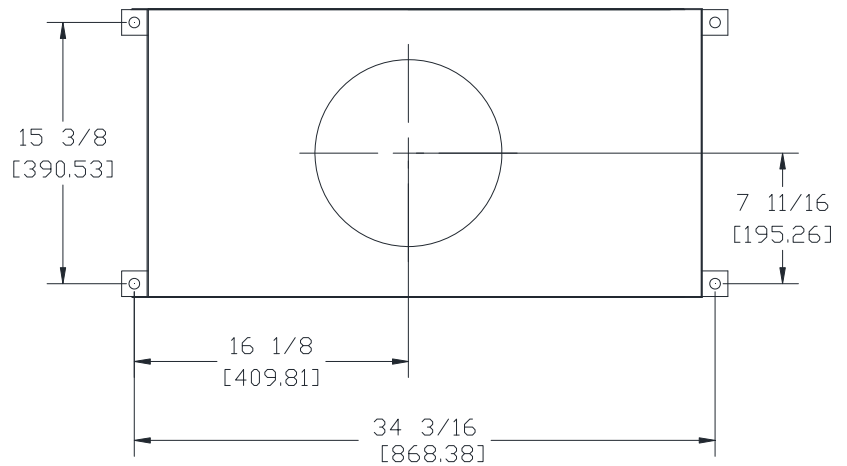
1AC



2AC, 2AC SPECIAL



COMMANDER 1



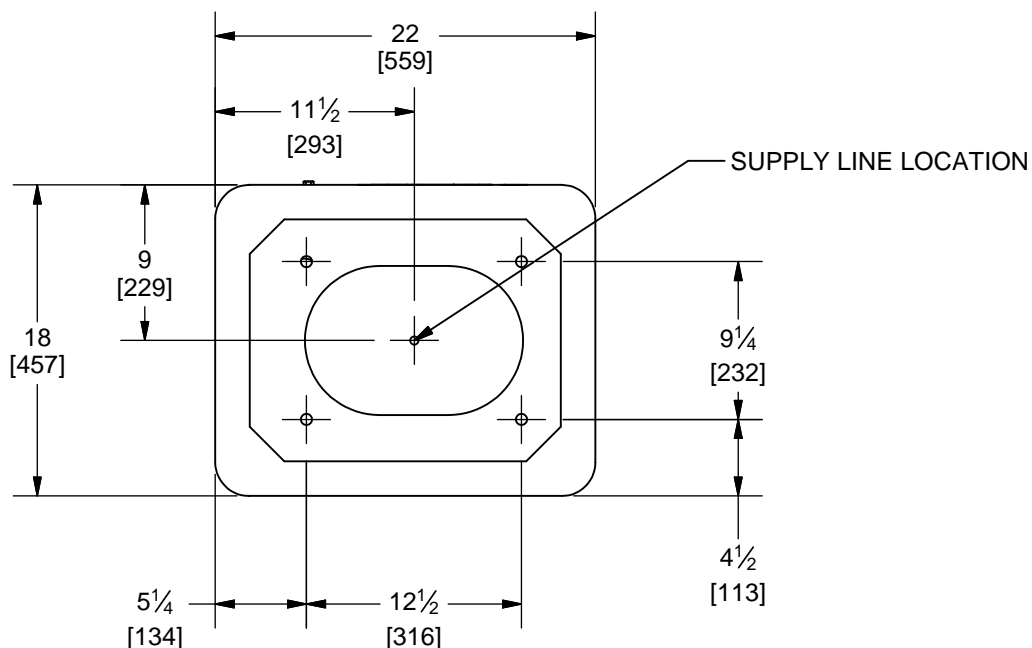
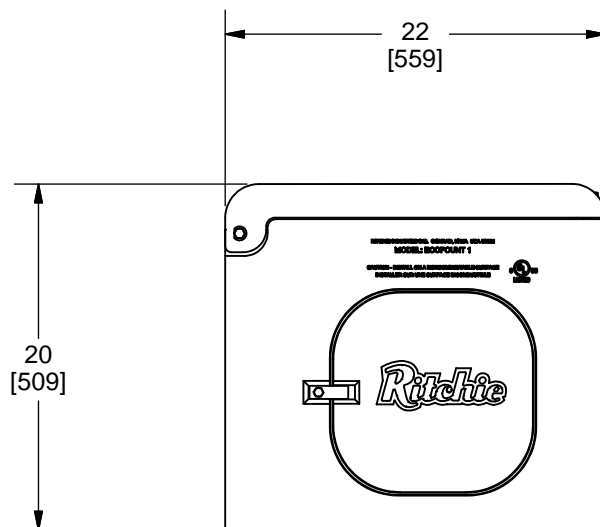
COMMANDER 2

NOTE:

MOUNTING HOLE LOCATIONS ARE APPROXIMATE. DUE TO VARIATIONS IN MOLDING PROCESS IT IS NOT RECOMMENDED TO USE THIS DRAWING FOR LOCATING CONCRETE ANCHORS. IT IS RECOMMENDED TO WAIT UNTIL UNIT IS AVAILABLE FOR MEASUREMENT.

ECO FOUNT 1

OVERALL DIMENSIONS

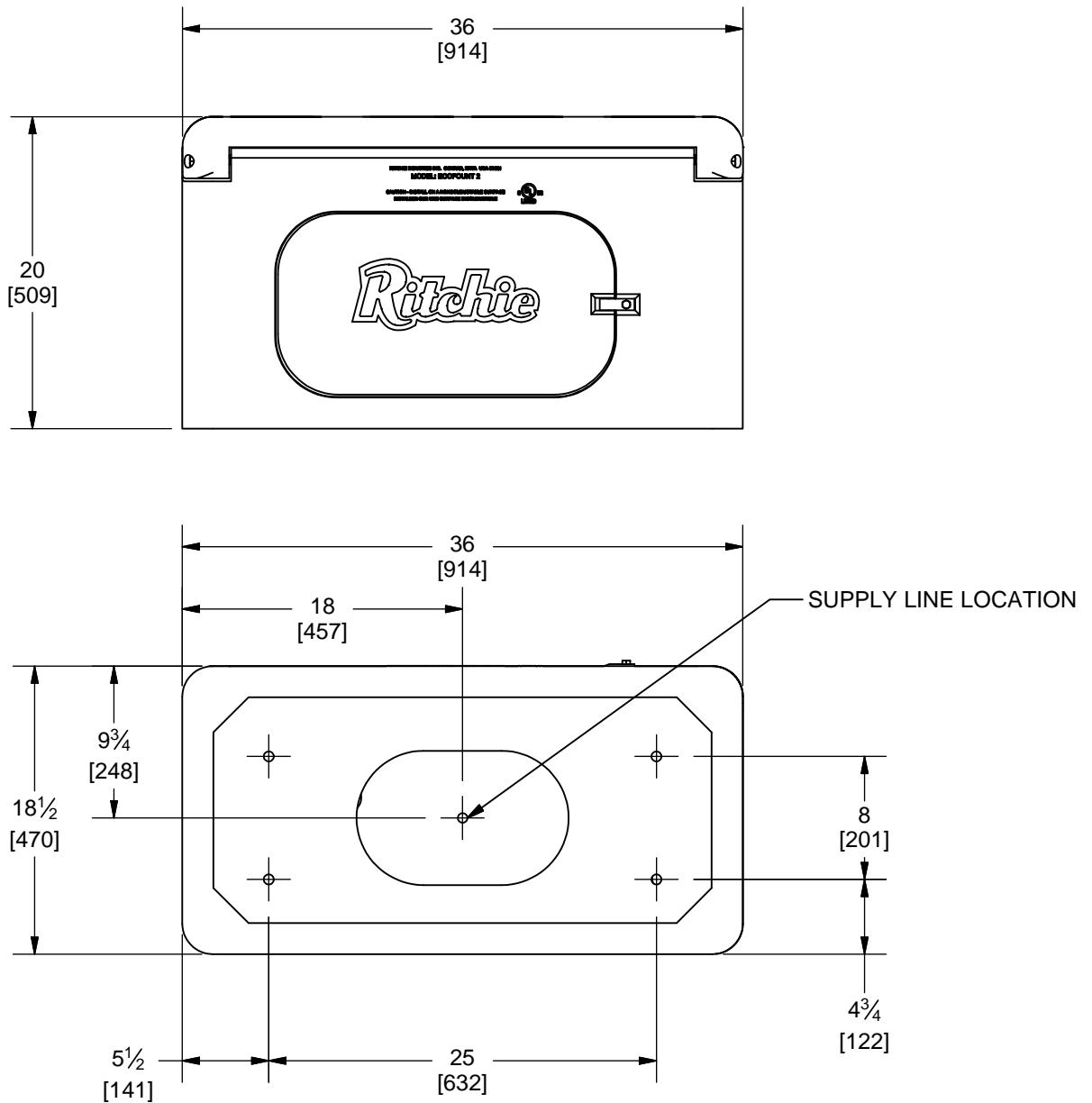


NOTE:

MOUNTING HOLE LOCATIONS ARE APPROXIMATE. DUE TO VARIATIONS IN MOLDING PROCESS IT IS NOT RECOMMENDED TO USE THIS DRAWING FOR LOCATING CONCRETE ANCHORS. IT IS RECOMMENDED TO WAIT UNTIL UNIT IS AVAILABLE FOR MEASUREMENT.

ECO FOUNT 2

OVERALL DIMENSIONS

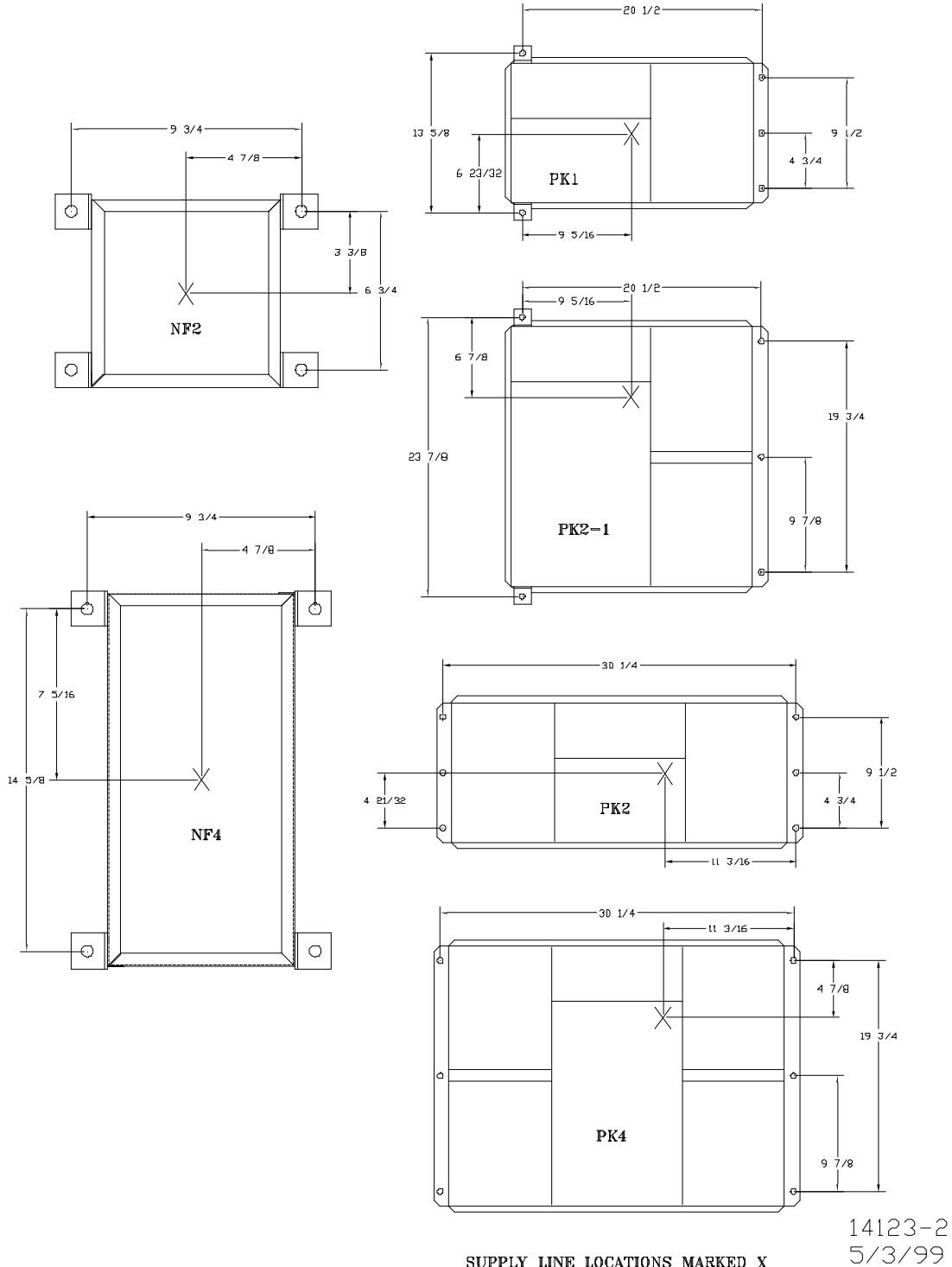


NOTE:

MOUNTING HOLE LOCATIONS ARE APPROXIMATE. DUE TO VARIATIONS IN MOLDING PROCESS IT IS NOT RECOMMENDED TO USE THIS DRAWING FOR LOCATING CONCRETE ANCHORS. IT IS RECOMMENDED TO WAIT UNTIL UNIT IS AVAILABLE FOR MEASUREMENT.

PORK KING & NIPPLE FOUNT

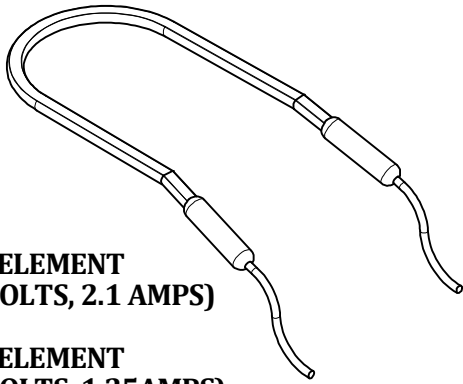
OVERALL DIMENSIONS



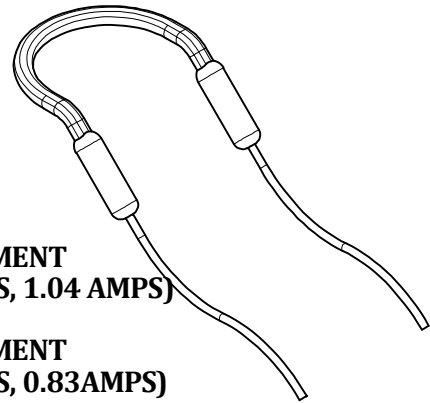
NOTE:

MOUNTING HOLE LOCATIONS ARE APPROXIMATE. DUE TO VARIATIONS IN MOLDING PROCESS IT IS NOT RECOMMENDED TO USE THIS DRAWING FOR LOCATING CONCRETE ANCHORS. IT IS RECOMMENDED TO WAIT UNTIL UNIT IS AVAILABLE FOR MEASUREMENT.

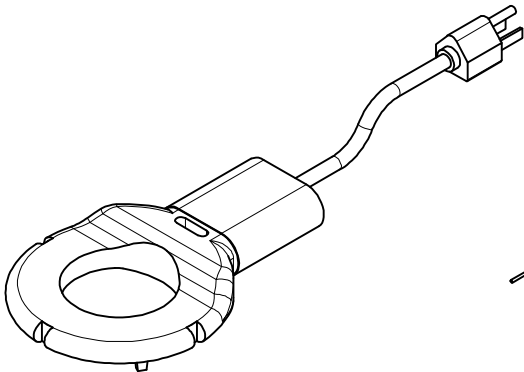
ELECTRICAL COMPONENTS



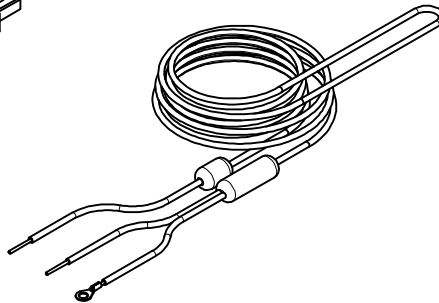
11419
250W ELEMENT
(120 VOLTS, 2.1 AMPS)
11403
300W ELEMENT
(240 VOLTS, 1.25AMPS)



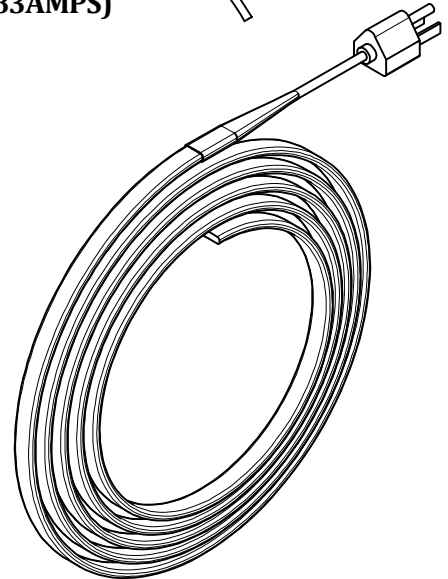
14150
125W ELEMENT
(120 VOLTS, 1.04 AMPS)
16664
200W ELEMENT
(240 VOLTS, 0.83AMPS)



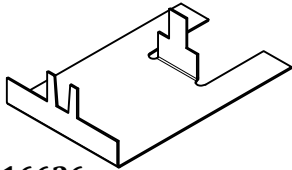
16311
250W IMMERSION HEATER
(120 VOLTS, 2.1 AMPS)
17960
250W IMMERSION HEATER
(240 VOLTS, 1.6AMPS)
17961
250W IMMERSION HEATER
(240 VOLTS, 1.6 AMPS)
EURO STYLE PLUG



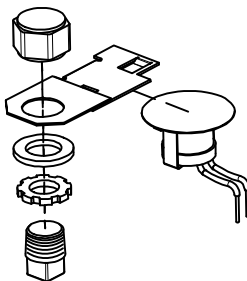
48W CABLE HEATER - 8FT
13830
(120 VOLTS, 0.4 AMPS)
16424
(240 VOLTS, 0.2AMPS)



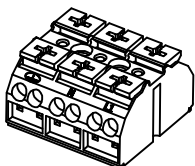
30W SELF LIMITING HEAT CABLE - 6FT
16276
(120 VOLTS, 0.25 AMPS)
16713
(240 VOLTS, 0.125AMPS)
NOTE: 120V INCLUDES 3 PRONG PLUG



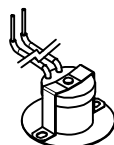
16636
IMMERSION HEATER
BRACKET STAND



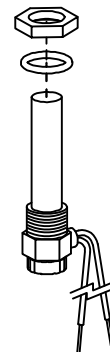
13680
KIT TO REPLACE
FENWAL PKG
(NOT RECOMENDED FOR UNITS
LARGER THAN 5'S)



18638
TERMINAL BLOCK 120V BLACK
18639
TERMINAL BLOCK 240V WHITE

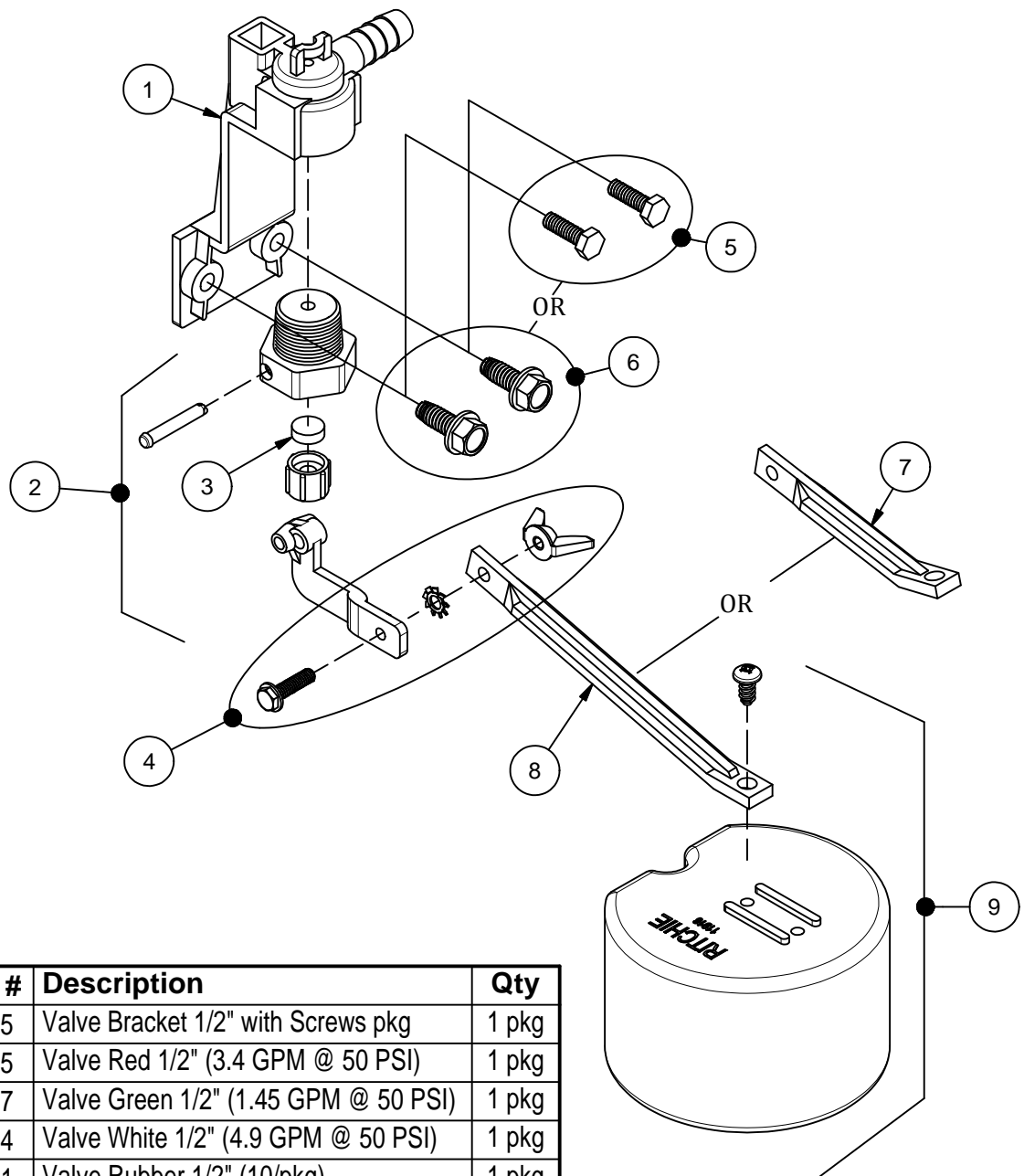


11885
DISC THERMOSTAT
(120 VOLTS, 10 AMPS)
(240 VOLTS, 5 AMPS)



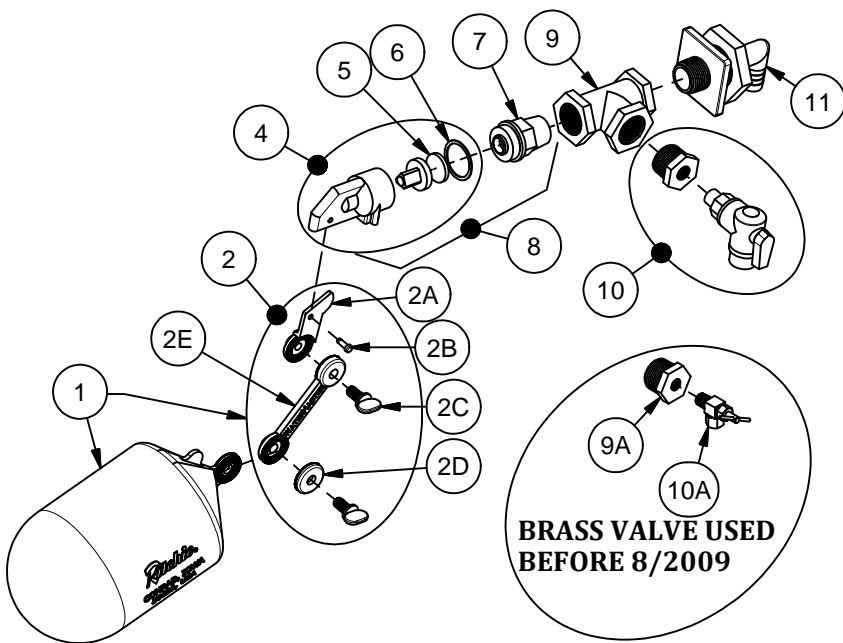
18074 - BRASS NUT PKG
18320 - O-RING PKG
11422
BRASS FENWAL T-STAT
16534
SS FENWAL T-STAT

1/2" VALVE & FLOAT CONFIGURATIONS

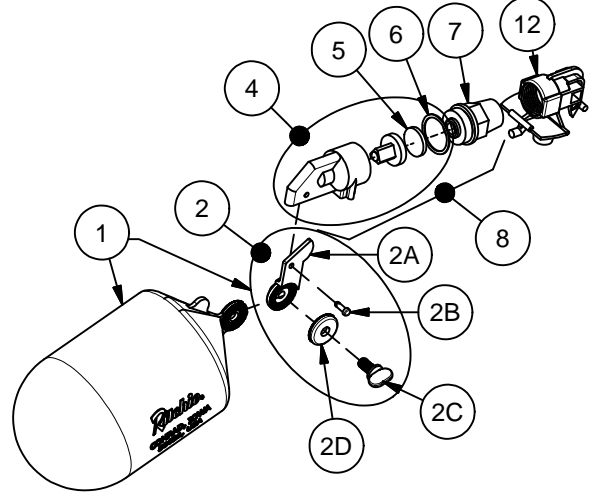


Item	Part #	Description	Qty
1	11515	Valve Bracket 1/2" with Screws pkg	1 pkg
2	12575	Valve Red 1/2" (3.4 GPM @ 50 PSI)	1 pkg
	13597	Valve Green 1/2" (1.45 GPM @ 50 PSI)	1 pkg
	12574	Valve White 1/2" (4.9 GPM @ 50 PSI)	1 pkg
3	15151	Valve Rubber 1/2" (10/pkg)	1 pkg
4	12576	Screw, Starwasher, & Wingnut pkg	1 pkg
5	18066	Screw #10-24x5/8" SS (6/pkg)	1 pkg
6	15154	Screw 1/4"-20x5/8" TC SS (10/pkg)	1 pkg
7	18634	Float Arm Short (2/pkg)	1 pkg
8	18635	Float Arm Long (2/pkg)	1 pkg
9	13613	Float with Short Arm pkg	1 pkg
	12836	Float with Long Arm pkg	1 pkg

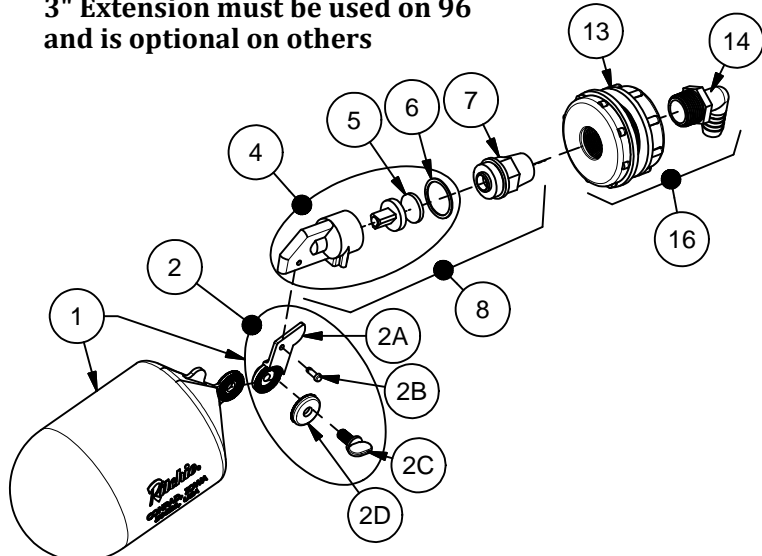
3/4" CATTLE VALVE & FLOAT CONFIGURATIONS



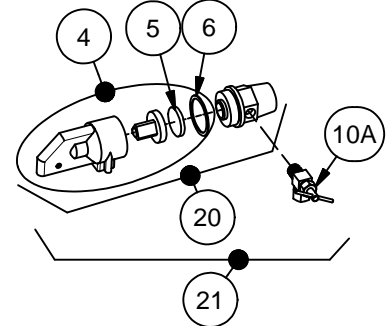
WaterMaster 96, 90, 54
3" Extension must be used on 96
and is optional on others



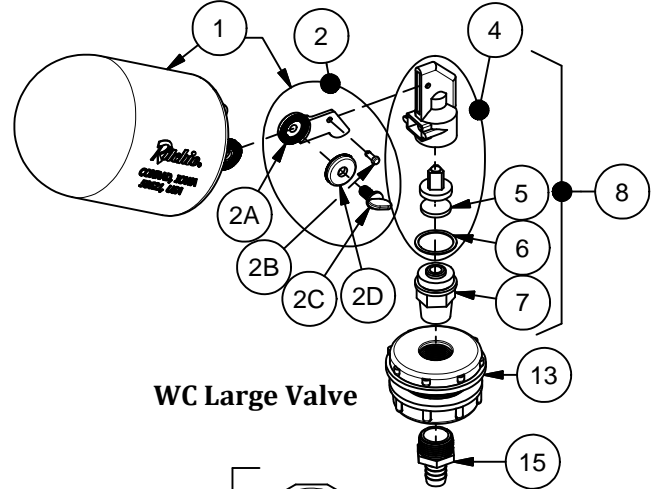
CattleMaster, Cattle Fountain, Omni, and Combinations



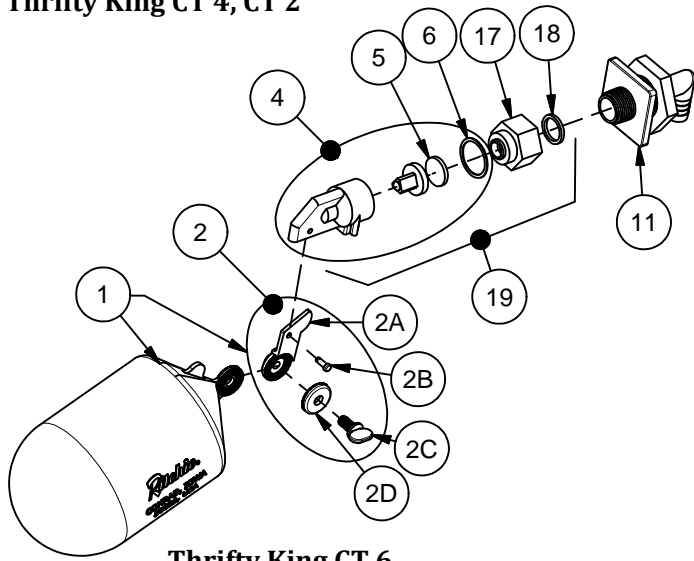
WaterMaster 1200, 600, WaterMatic 1000, 300
Thrifty King CT 4, CT 2



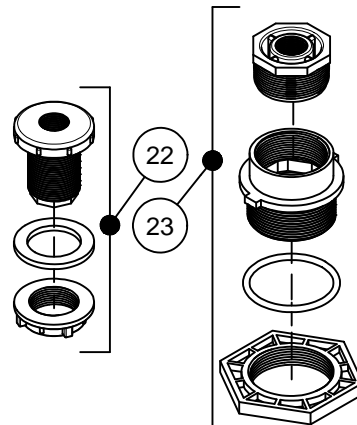
CattleMaster CF Conversion



WC Large Valve



Thrifty King CT 6

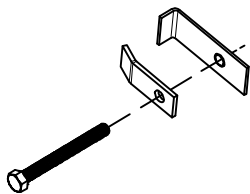


Other WC adaptor parts

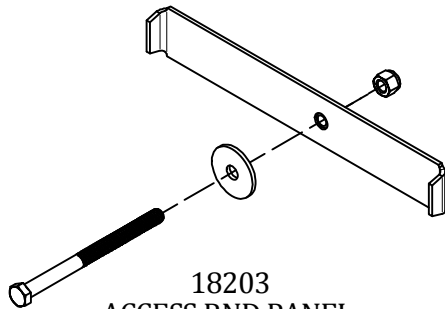
3/4" VALVE & FLOAT CONFIGURATIONS

Item	Part #	Description
1	18314	Float w/ Hardware pkg
2	18313	Hardware for Float pkg
2A	18629	Valve Cam (2/pkg)
2B	18631	Valve Pin (2/pkg)
2C	18630	Valve Screw (2/pkg)
2D	18450	Valve Washer (2/pkg)
2E	18636	Valve 3" Extension (2/pkg)
4	15259	Plunger, Rubber, Body, & Gasket pkg
5	15152	Valve Rubber 3/4" (10/pkg)
6	18397	Valve Gasket (5/pkg)
7	18606	Valve Red 3/4" Male pkg
	18622	Valve Green 3/4" Male pkg
	18626	Valve White 3/4" Male pkg
8	11101	Valve Red 3/4" Male with Body pkg
	15377	Valve Green 3/4" Male with Body pkg
	16697	Valve White 3/4" Male with Body pkg
	18197	Valve Blue 3/4" w/ adpt. & Body pkg
9	16508	Adapter T-Fitting 3/4" pkg
10	18458	CF Adapter Valve PVC w/ Bushing pkg
10A	11793	CF Valve Brass 1/8" pkg
10B	16509	Reducer Bushing 1/8"x3/4" pkg
11	16422	Valve Bracket w/ Nut pkg
12	11514	Valve Bracket 3/4" pkg
13	18625	Bulkhead 3/4" pkg
14	16414	Adapter Elbow 3/4"x 5/8"HB pkg
15	18614	Adapter 3/4" x 5/8" HB pkg
16	16898	Bulkhead w/ Elbow pkg
17	18605	Valve Red 3/4" Female pkg
	18623	Valve Green 3/4" Female pkg
	18627	Valve Blue 3/4" Female pkg
18	18475	O-Ring Valve Seal pkg
19	12570	Valve Red 3/4" Female w/ Body pkg
	16419	Valve Green 3/4" Female w/ Body pkg
	18195	Valve Blue 3/4" Female w/ Body pkg
20	11142	CF Valve Red 3/4" w/ Body pkg
21	16891	CF Valve Red 3/4" w/ Body & Petcock pkg
22	18624	Non-Potable Adpt. 3/4" pkg
23	16551	Non-Potable Adpt. Kit 2" to 3/4" pkg

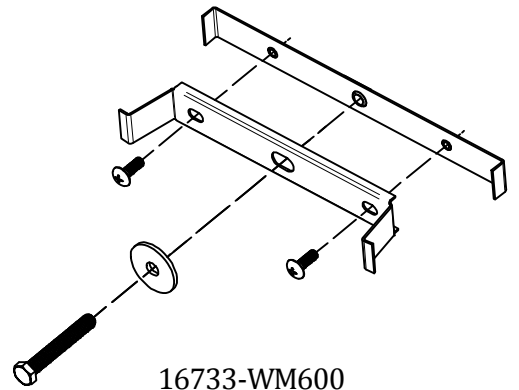
ACCESSORIES AND COMMON PARTS



18147
ACCESS PANEL
HARDWARE PKG



18203
ACCESS RND PANEL
HARDWARE PKG



16733-WM600
18199 - WM1200
ACCESS RND PANEL
CONSTANT FLOW HARDWARE
PACKAGED WITH 16891 VALVE



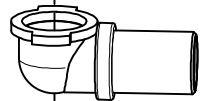
18628 DRAIN PLUG CUP PKG



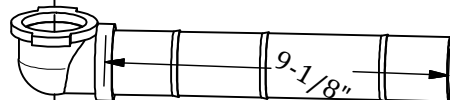
18075 DRAIN PIPE SEAL WASHER PKG



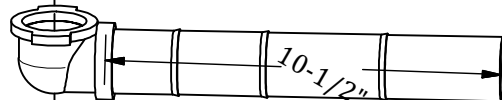
18603 DRAIN ADAPTER PKG FOR COMB. UNITS



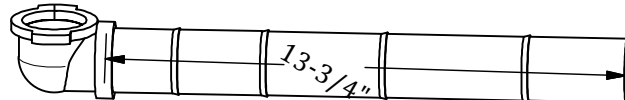
16172 DRAIN PIPE FOR PK'S, COMM'S, & ECO'S



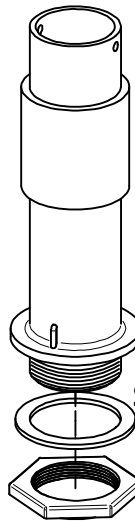
11471 DRAIN PIPE FOR SMALL OMNI'S AND AC'S



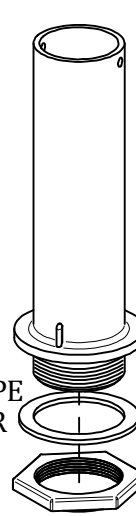
11472 DRAIN PIPE FOR OMNI 3 AND 3E'S



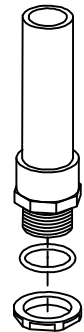
11473 DRAIN PIPE FOR OMNI 5 & 10 AND 5E'S



18324
STANDPIPE
WASHER
PKG

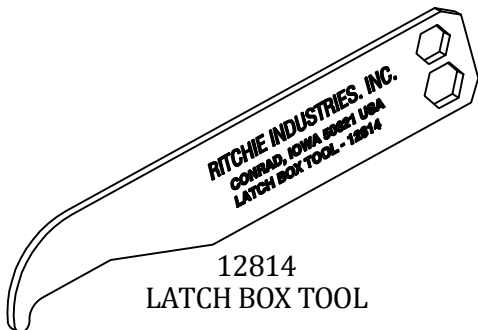


16629
STANDPIPE PKG
LARGE OMNI'S

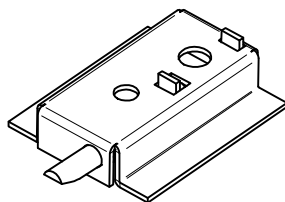


16866
STANDPIPE PKG
SMALL OMNI'S & AC'S

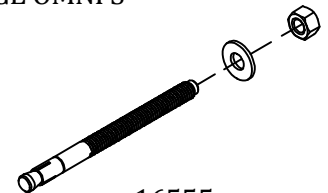
18181
STANDPIPE PKG
CATTLEMASTER'S



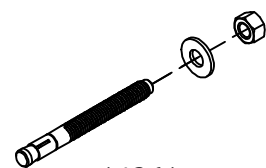
12814
LATCH BOX TOOL



11157
LATCH BOX ASSY PKG

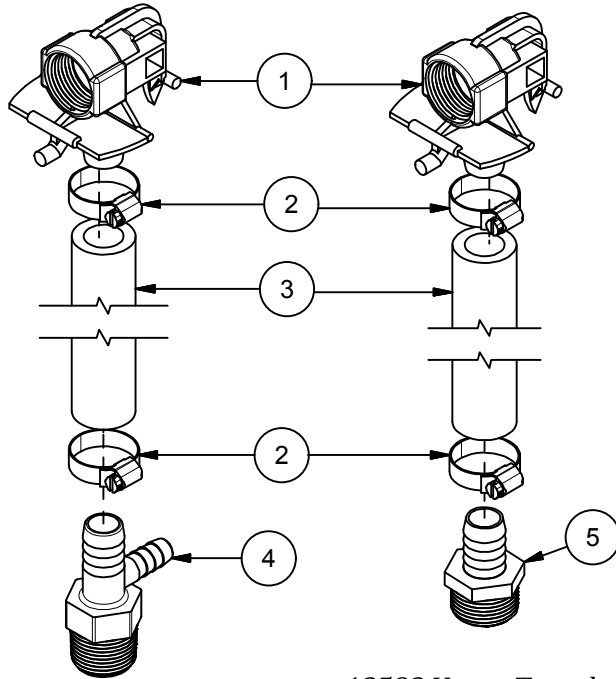


16555
ANCHOR BOLT 3/8" X 5" SS PKG



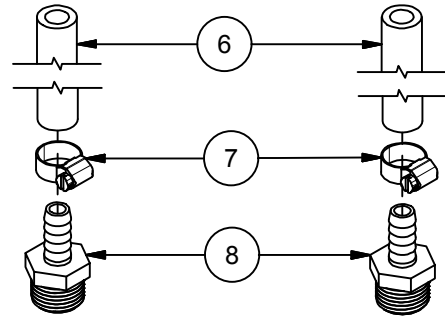
14261
ANCHOR BOLT 3/8" X 3-3/4" SS PKG

RITCHIE SUPPLY HOSE ASSEMBLIES



12582 Upper Trough
18" Supply Line Assembly
(For All Comb. Units)

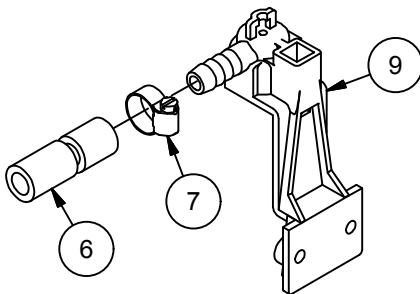
12583 Upper Trough
30" Supply Line Assembly
(For All Cattle Units)



12584 Hose Assembly
For Use on 2AC
W/ plastic Valve Bracket
3/8" x 15" w/ 1/2" NPT

12585 Hose Assembly
For Use on 1AC
W/ Steel Valve Bracket
3/8" x 18" W/ 1/2" NPT

Supply Line Assembly For Lower Combination Troughs



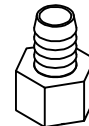
For Use with Lower
Trough On
Combination Units

Item	Part #	Description	Qty/pkg
1	11514	Valve Bracket 3/4"	1
2	15931	Hose Clamp 5/8" SS	5
3	12423	Hose 5/8"	25ft
4	18607	Adpt. T-Fitting 3/4"x3/8"HBx5/8"HB	1
5	18614	Adpt. 3/4" x 5/8" HB	1
6	12420	Hose 3/8"	25ft
7	15930	Hose Clamp 3/8" SS	5
8	18613	Adpt. 1/2" x 3/8" HB	1
9	11515	Valve Bracket 1/2" w/ Screws	1

More Adapters



18612
1/4" NPT Male
to 3/8" HB Brass



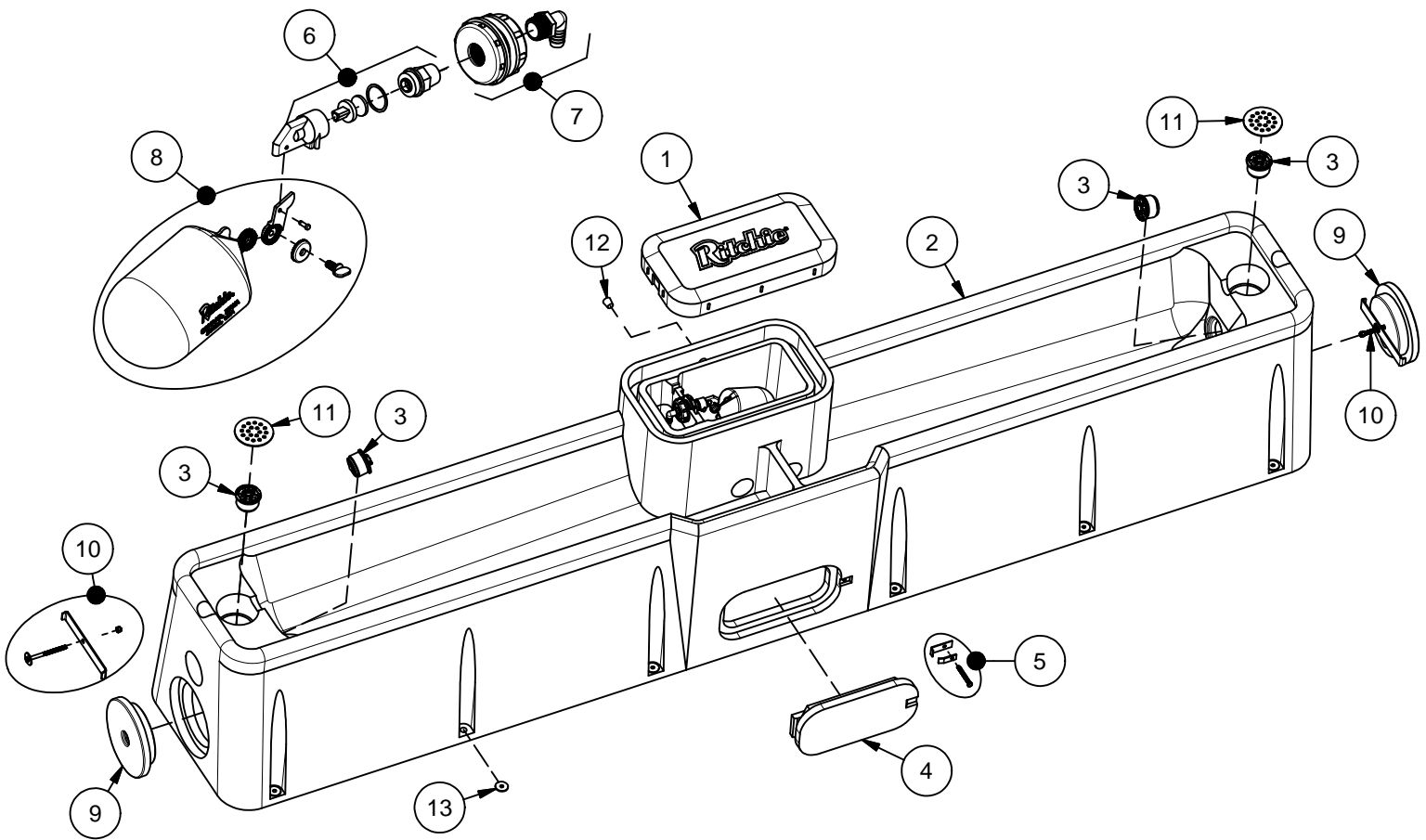
18615
3/4" NPT Female
to 5/8" HB Swivel Nylon

SUPPLY HOSE

- 12420 Hose - 3/8" x 25ft. (15930 Clamp Required)
- 12423 Hose - 5/8" x 25ft. (15931 Clamp Required)
- 14859 Hose Insulation 3/4" x 4ft. Polyurethane

WaterMaster 1200

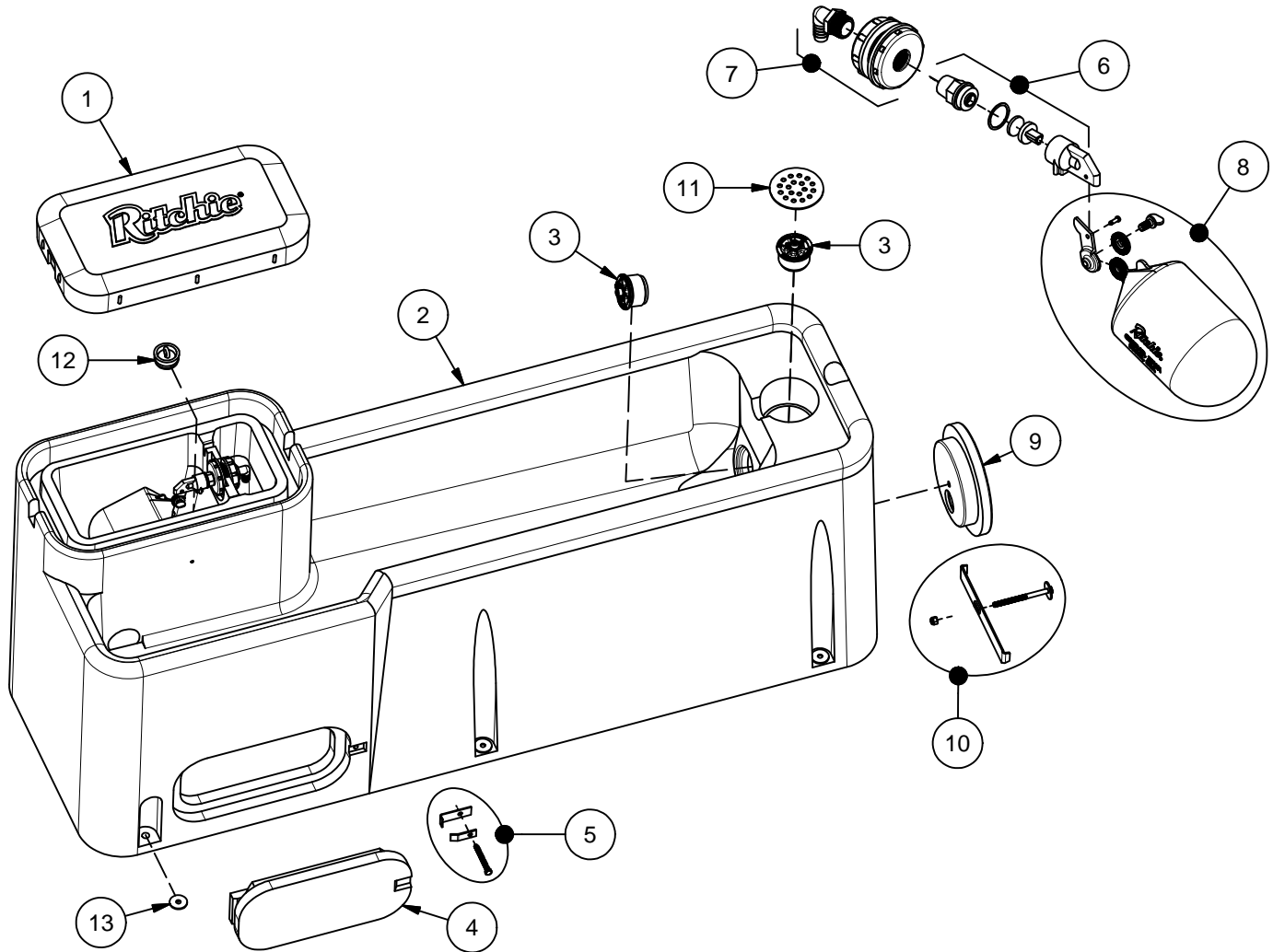
Part # 18053



Item	Part #	Description	Qty	Item	Part #	Description	Qty
1	18060	WaterMaster 1200 Cover	1	11	17194	Strainer	1
2	18061	WaterMaster 1200 Base	1	12	18633	Plug #3 - Channel Plug	1 pkg
3	18470	Drain Plug Ritchie 3"	4 pkg	13	18318	Bolt Down Washer (4/pkg)	3 pkg
4	16621	Access Panel 6"x14"	1	NS	14866	Seal Foam 10' Roll	3
5	18147	Access Panel Hardware pkg	1 pkg	NS	18632	Cap for Trainer Hole	1 pkg
6	11101	Red Valve 3/4" Male pkg	1 pkg	NS	17173	Adapter 3" PVC	1
7	16898	Bulkhead with Elbow	1	NS	15931	Hose Clamp 1" SS (5/pkg)	1 pkg
8	18314	Float with Hardware pkg	1 pkg	NS	18614	Adapter 3/4" x 5/8" HB	1 pkg
	18313	Hardware for Float pkg	1 pkg	NS	18140	WM 1200 Accessory pkg	1 pkg
9	16472	Access Panel Round	2	NS	18199	Constant Flow pkg - Optional	1 pkg
10	18203	Access Panel Rnd Hardware pkg	2 pkg				

WaterMaster 600

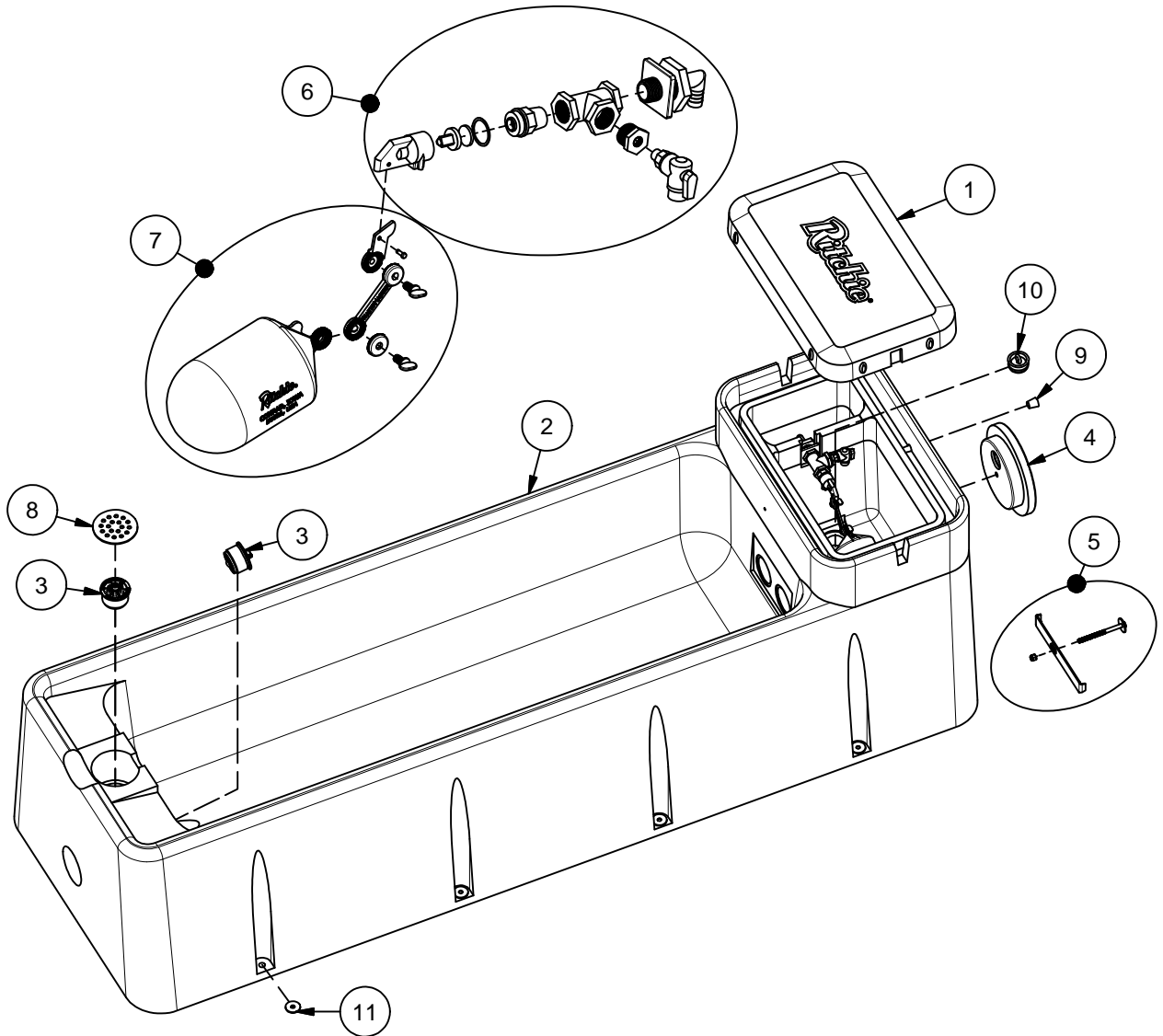
Part # 18171



Item	Part #	Description	Qty	Item	Part #	Description	Qty
1	18189	WaterMaster 600 Cover	1	11	17194	Strainer	1
2	18191	WaterMaster 600 Base	1	12	18219	Plug #11 pkg	1 pkg
3	18470	Drain Plug Ritchie 3"	2 pkg	13	18318	Bolt Down Washer (4/pkg)	2 pkg
4	16621	Access Panel 6"x14"	1	NS	14866	Seal Foam 10' Roll	2
5	18147	Access Panel Hardware pkg	1 pkg	NS	18632	Cap for Trainer Hole	1 pkg
6	11101	Red Valve 3/4" Male pkg	1 pkg	NS	17173	Adapter 3" PVC	1
7	16898	Bulkhead with Elbow	1	NS	15931	Hose Clamp 1" SS (5/pkg)	1 pkg
8	18314	Float with Hardware pkg	1 pkg	NS	18614	Adapter 3/4" x 5/8" HB	1 pkg
	18313	Hardware for Float pkg	1 pkg	NS	18192	WM 600 Accessory pkg	1 pkg
9	16472	Access Panel Round	1	NS	16733	Constant Flow pkg - Optional	1 pkg
10	18203	Access Panel Rnd Hardware pkg	1 pkg	NS	18624	Adapter - Opt. Non-potable	1 pkg

WaterMaster 96

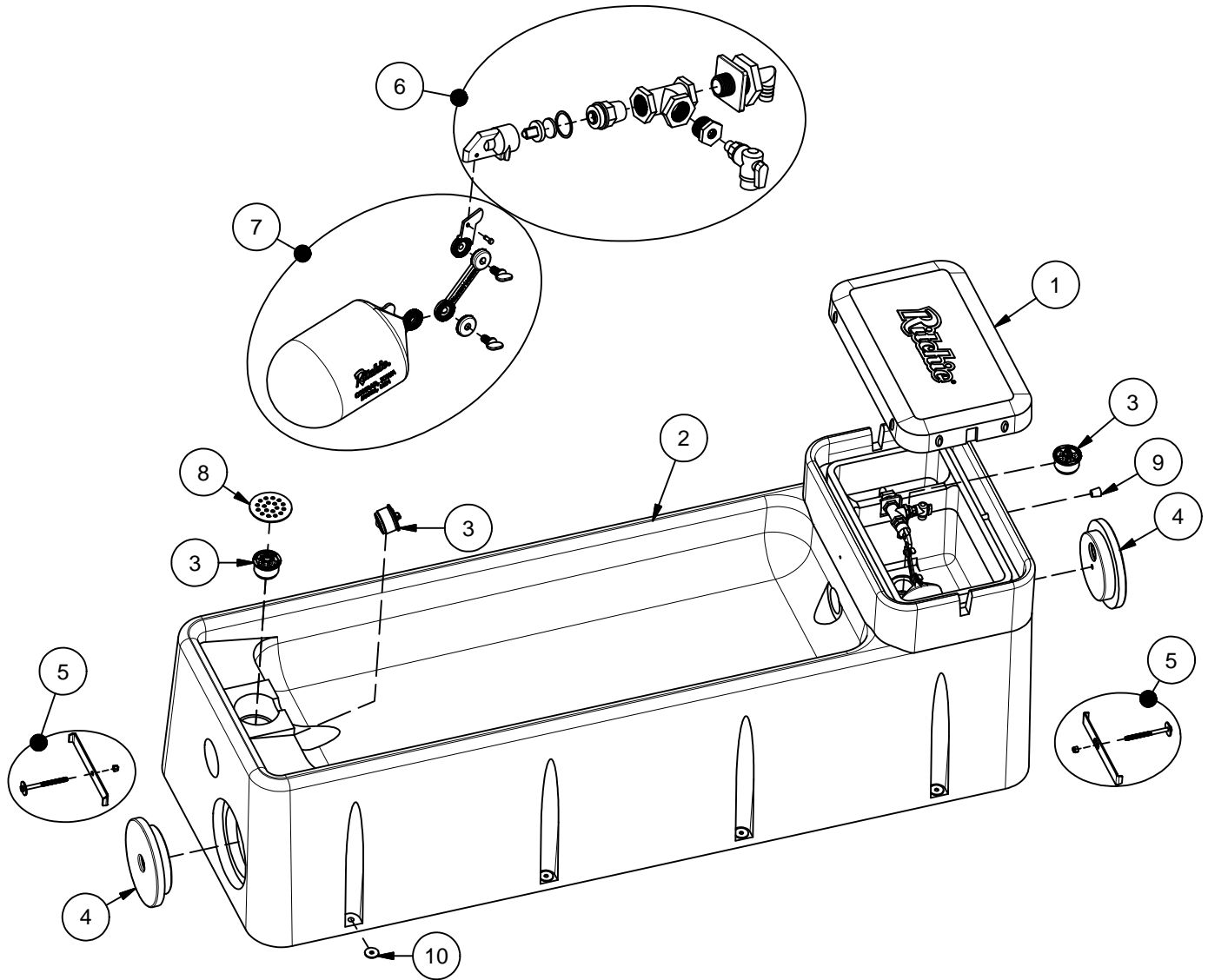
Part # 18007



Item	Part #	Description	Qty	Item	Part #	Description	Qty
1	16469	WaterMaster Cover	1	8	17194	Strainer	1
2	18040	WaterMaster 96 Base	1	9	18633	Plug #3 - Channel	1 pkg
3	18470	Drain Plug Ritchie 3"	2 pkg	10	18219	Plug #11 pkg	1 pkg
4	16472	Access Panel Round	1	11	18318	Bolt Down Washer (4/pkg)	2 pkg
5	18203	Access Panel Rnd Hardware pkg	1 pkg	NS	14866	Seal Foam 10' Roll	2
6	16464	Valve WM Assmly pkg	1 pkg	NS	18632	Cap for Trainer Hole	1 pkg
	11101	Red Valve 3/4" Male pkg	1 pkg	NS	17173	Adapter 3" PVC	1
	16508	adapter Tee 3/4" pkg	1 pkg	NS	15931	Hose Clamp 1" SS (5/pkg)	1 pkg
	18458	Petcock PVC w/ adptr pkg	1 pkg	NS	18614	Adapter 3/4" x 5/8" HB	1 pkg
	16422	Valve Bracket w/ nut pkg	1 pkg	NS	18041	WM 96 Accessory pkg	1 pkg
7	18314	Float with Hardware pkg	1 pkg	NS	16471	Tube Water Trainer	1
	18313	Hardware for Float pkg	1 pkg	NS	18624	Adapter - Opt. Non-potable	1 pkg

WaterMaster 90

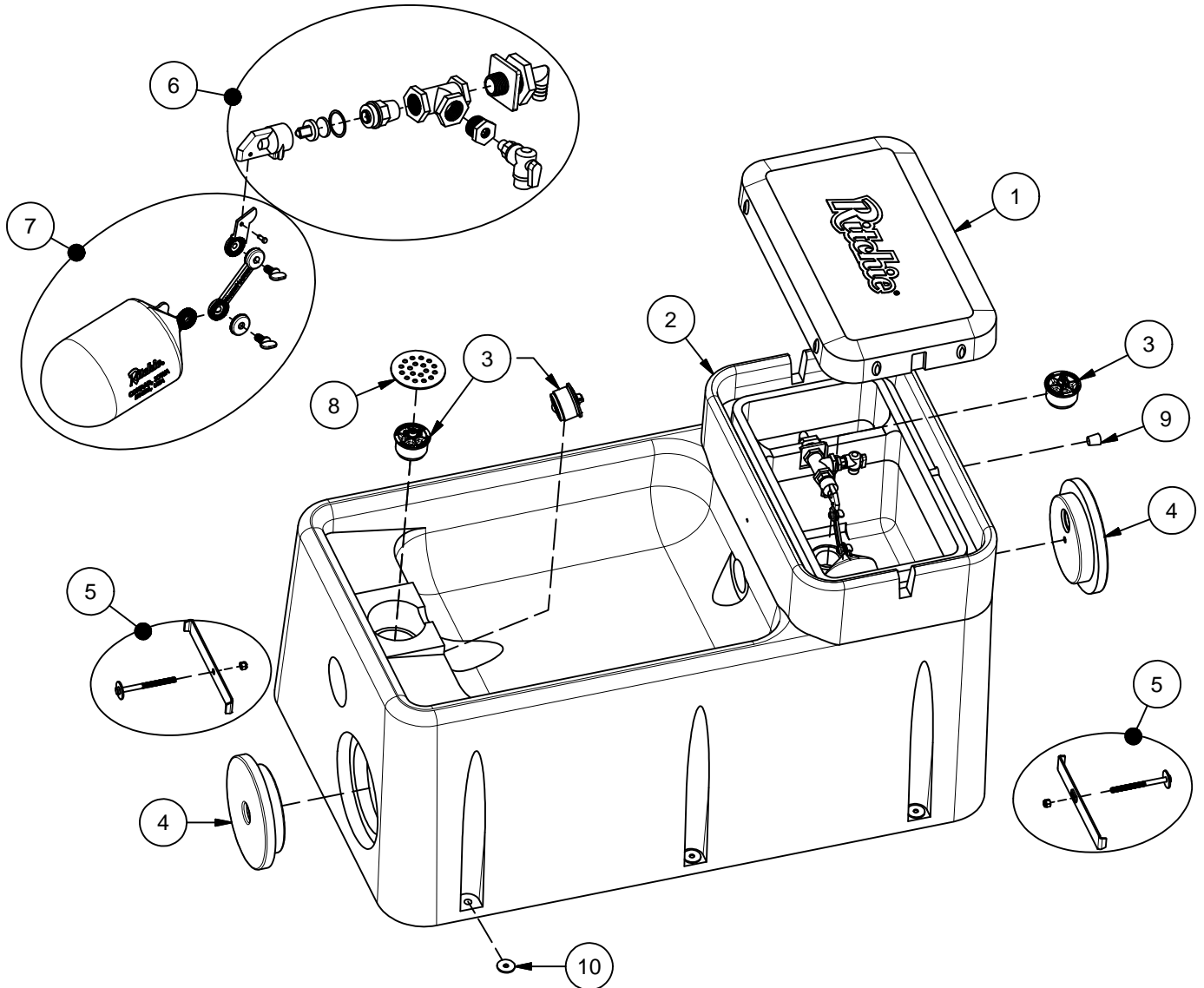
Part # 16467



Item	Part #	Description	Qty	Item	Part #	Description	Qty
1	16469	WaterMaster Cover	1	8	17194	Strainer	1
2	16468	WaterMaster 90 Base	1	9	18633	Plug #3 - Channel	1 pkg
3	18470	Drain Plug Ritchie 3"	3 pkg	10	18318	Bolt Down Washer (4/pkg)	2 pkg
4	16472	Access Panel Round	2				
5	18203	Access Panel Rnd Hardware pkg	2 pkg	NS	14866	Seal Foam 10' Roll	2
6	16464	Valve WM Assembly pkg	1 pkg	NS	18632	Cap for Trainer Hole	1 pkg
	11101	Red Valve 3/4" Male pkg	1 pkg	NS	17173	Adapter 3" PVC	1
	16508	adapter Tee 3/4" pkg	1 pkg	NS	15931	Hose Clamp 1" SS (5/pkg)	1 pkg
	18458	Petcock PVC w/ adptr pkg	1 pkg	NS	18614	Adapter 3/4" x 5/8" HB	1 pkg
	16422	Valve Bracket w/ nut pkg	1 pkg	NS	16479	WM 54/90 Accessory pkg	1 pkg
7	18314	Float with Hardware pkg	1 pkg	NS	16471	Tube Water Trainer	1
	18313	Hardware for Float pkg	1 pkg	NS	16551	Adapter - Opt. Non-potable	1

WaterMaster 54

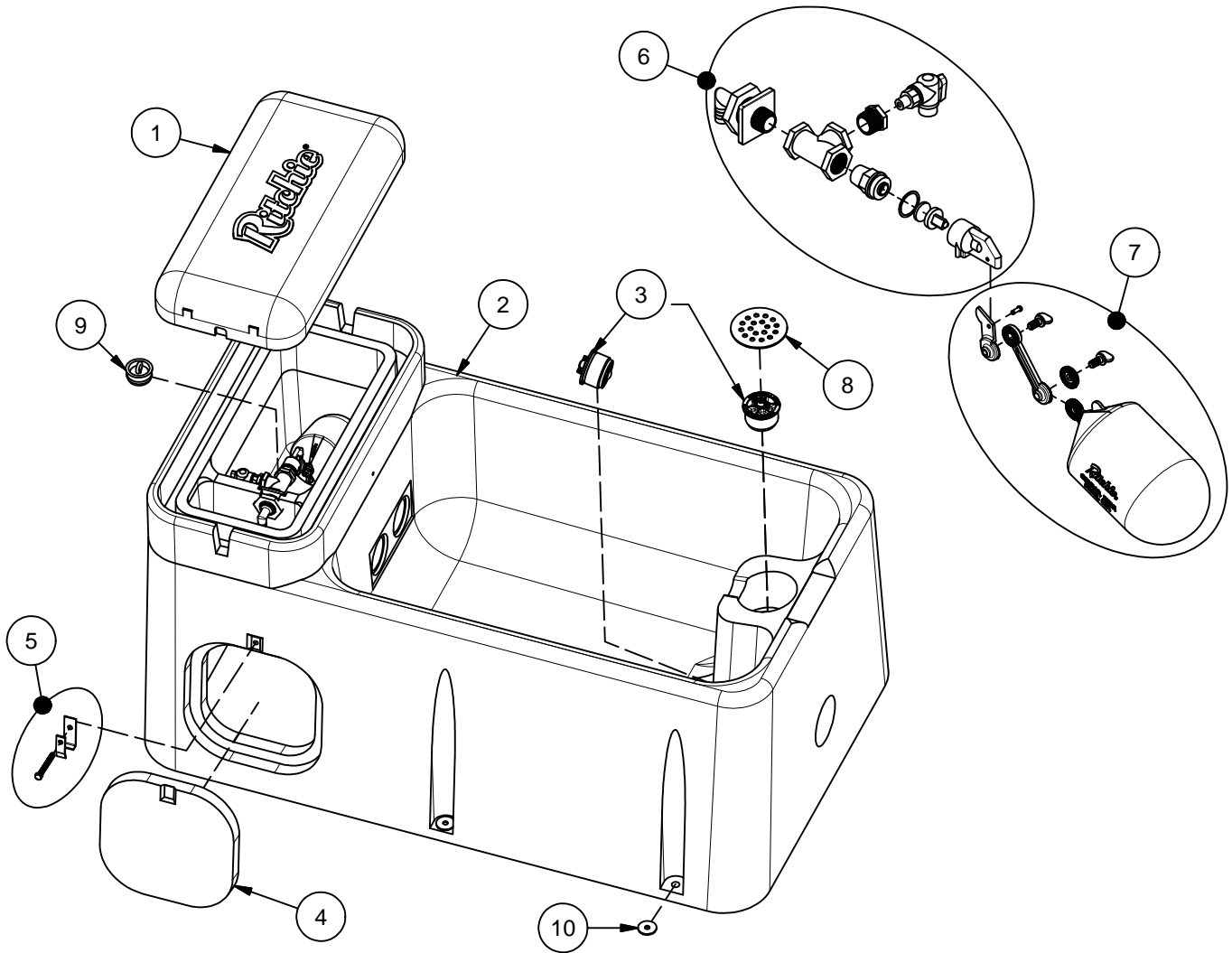
Part # 16542



Item	Part #	Description	Qty	Item	Part #	Description	Qty
1	16469	WaterMaster Cover	1	8	17194	Strainer	1
2	16550	WaterMaster 54 Base	1	9	18633	Plug #3 - Channel	1 pkg
3	18470	Drain Plug Ritchie 3"	3 pkg	10	18318	Bolt Down Washer (4/pkg)	2 pkg
4	16472	Access Panel Round	2				
5	18203	Access Panel Rnd Hardware pkg	2 pkg	NS	14866	Seal Foam 10' Roll	2
6	16464	Valve WM Assembly pkg	1 pkg	NS	18632	Cap for Trainer Hole	1 pkg
	11101	Red Valve 3/4" Male pkg	1 pkg	NS	17173	Adapter 3" PVC	1
	16508	Adapter Tee 3/4" pkg	1 pkg	NS	15931	Hose Clamp 1" SS (5/pkg)	1 pkg
	18458	Petcock PVC w/ adptr pkg	1 pkg	NS	18614	Adapter 3/4" x 5/8" HB	1 pkg
	16422	Valve Bracket w/ nut pkg	1 pkg	NS	16479	WM 54/90 Accessory pkg	1 pkg
7	18314	Float with Hardware pkg	1 pkg	NS	16471	Tube Water Trainer	1
	18313	Hardware for Float pkg	1 pkg	NS	16551	Adapter - Opt. Non-potable	1

WaterMaster 54D

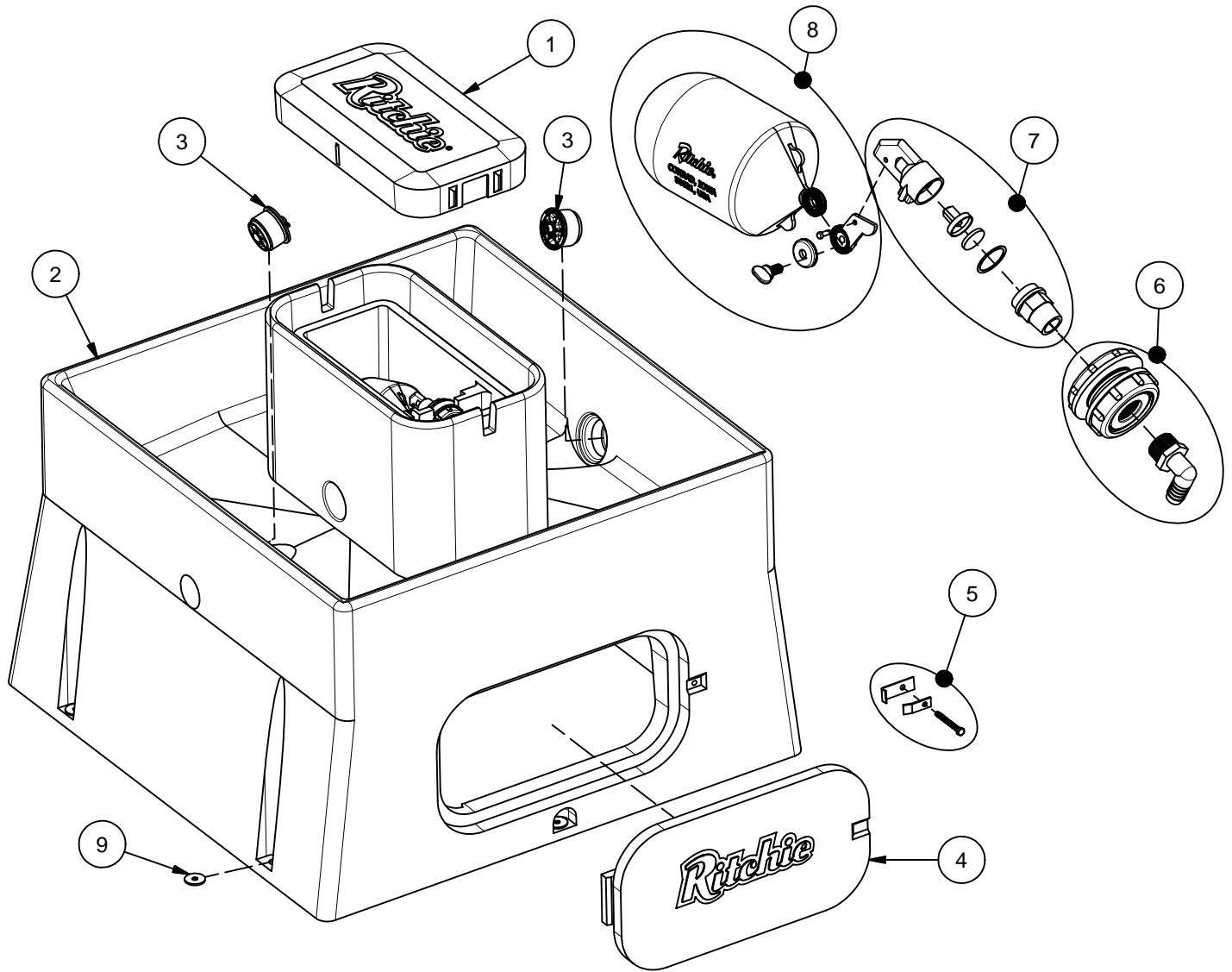
Part # 18355



Item	Part #	Description	Qty	Item	Part #	Description	Qty
1	18419	WaterMaster 54D Cover	1	8	17194	Strainer	1
2	18372	WaterMaster 54D Base	1	9	18219	Plug #11 pkg	1 pkg
3	18470	Drain Plug Ritchie 3"	2 pkg	10	18318	Bolt Down Washer (4/pkg)	2 pkg
4	18370	Access Panel 10"x10"	1				
5	18147	Access Panel Hardware pkg	1 pkg	NS	14866	Seal Foam 10' Roll	2
6	16464	Valve WM Assembly pkg	1 pkg	NS	18632	Cap for Trainer Hole	1 pkg
	11101	Red Valve 3/4" Male pkg	1 pkg	NS	17173	Adapter 3" PVC	1
	16508	Adapter Tee 3/4" pkg	1 pkg	NS	15931	Hose Clamp 1" SS (5/pkg)	1 pkg
	18458	Petcock PVC w/ adptr pkg	1 pkg	NS	18614	Adapter 3/4" x 5/8" HB	1 pkg
	16422	Valve Bracket w/ nut pkg	1 pkg	NS	18367	WM 54D Accessory pkg	1 pkg
7	18314	Float with Hardware pkg	1 pkg	NS	16471	Tube Water Trainer	1
	18313	Hardware for Float pkg	1 pkg	NS	18624	Adapter - Opt. Non-potable	1 pkg

WaterMatic 1000

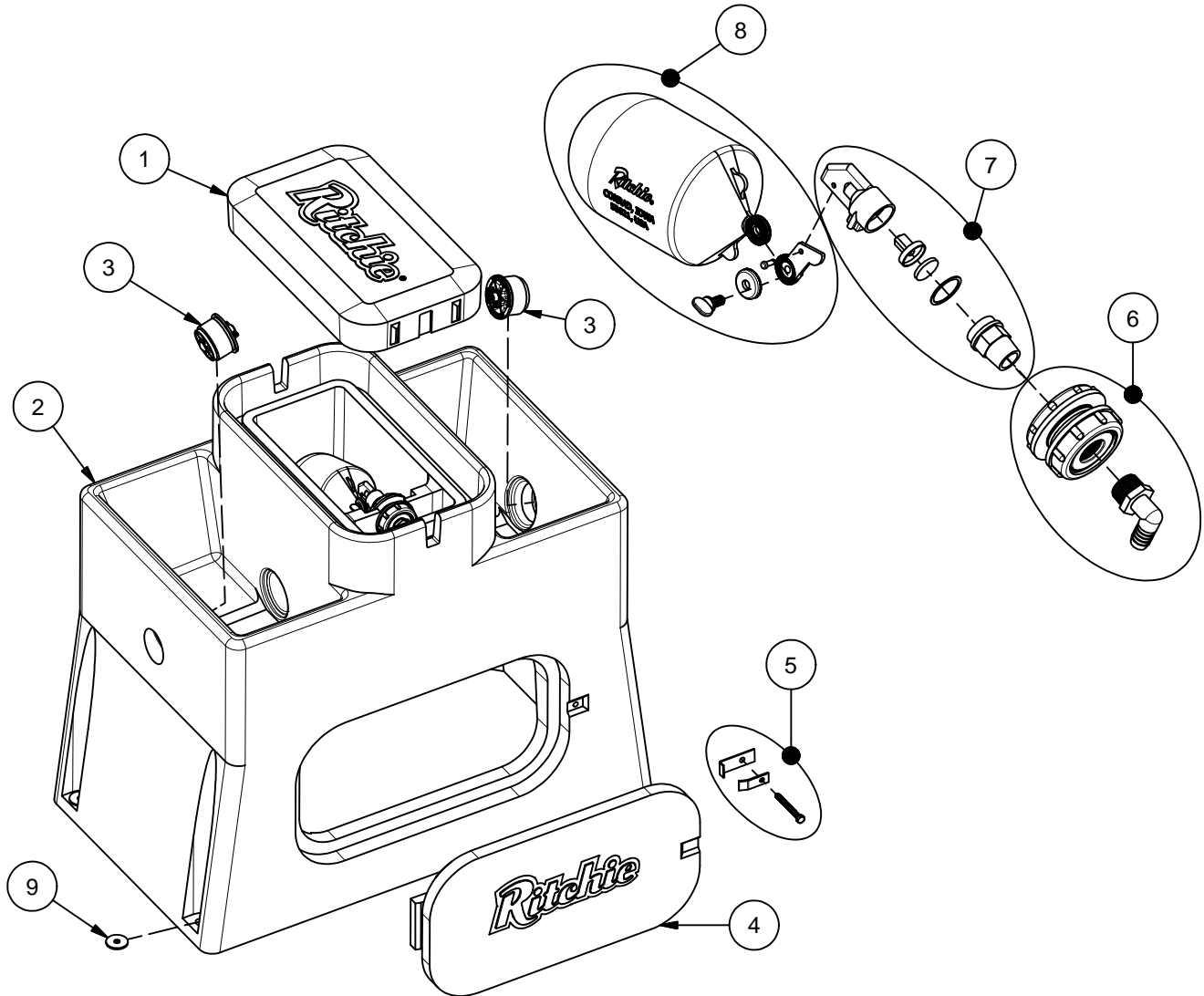
Part # 18110



Item	Part #	Description	Qty	Item	Part #	Description	Qty
1	18112	WaterMatic 1000 Cover	1	8	18314	Float with Hardware pkg	1 pkg
2	18111	WaterMatic 1000 Base	1		18313	Hardware for Float pkg	1 pkg
3	18470	Drain Plug Ritchie 3"	3 pkg	9	18318	Bolt Down Washer (4/pkg)	2 pkg
4	16562	Access Panel 10"x20"	1	NS	14866	Seal Foam 10' Roll	2
5	18147	Access Panel Hardware pkg	1 pkg	NS	15931	Hose Clamp 1" SS (5/pkg)	1 pkg
6	16898	Bulkhead with Elbow	1 pkg	NS	18614	Adapter 3/4" x 5/8" HB	1 pkg
7	11101	Red Valve 3/4" Male pkg	1 pkg	NS	18109	WMatic 1000 Accessory pkg	1 pkg

WaterMatic 300

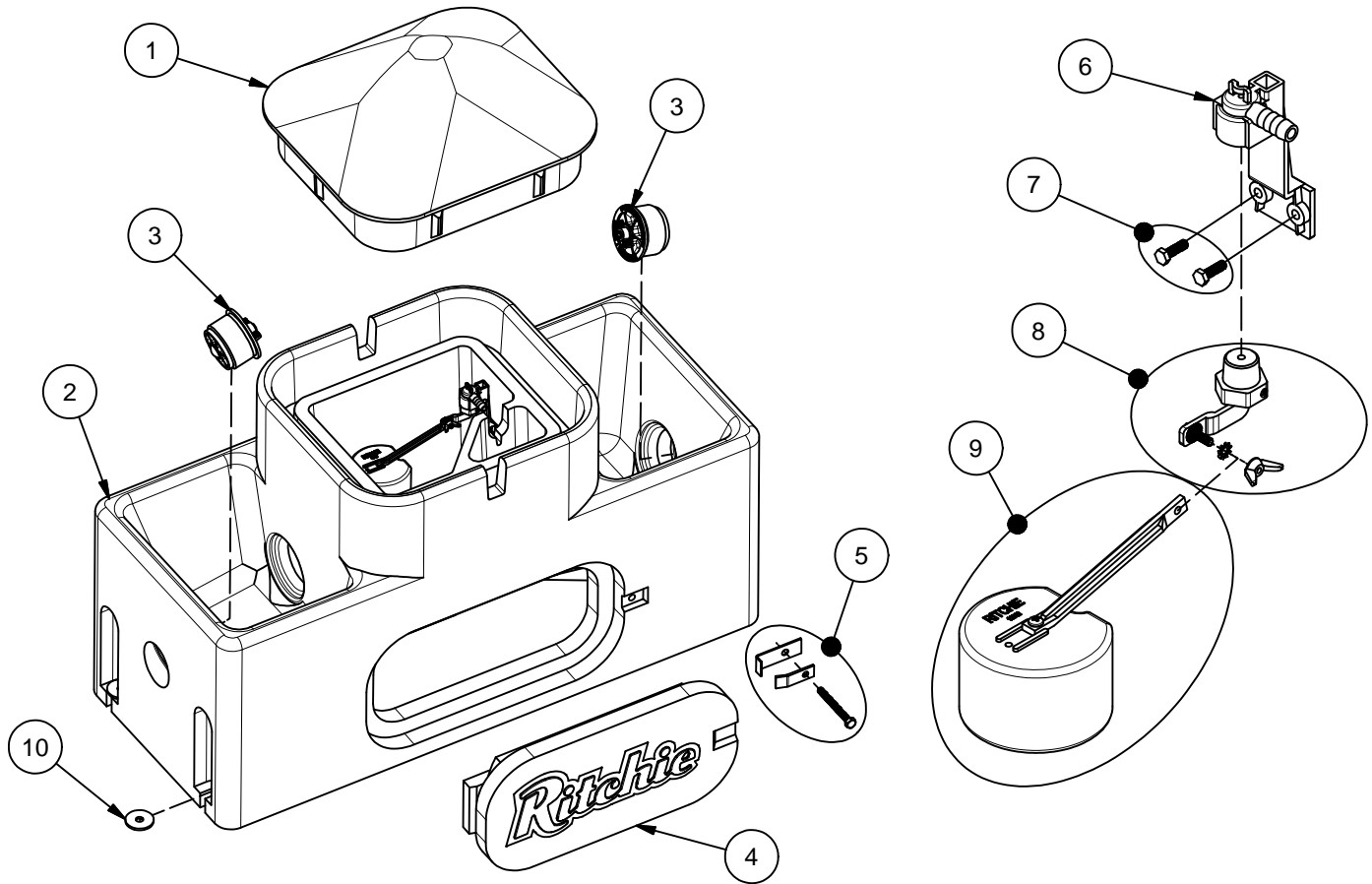
Part # 18050



Item	Part #	Description	Qty	Item	Part #	Description	Qty
1	18048	WaterMatic 300 Cover	1	8	18314	Float with Hardware pkg	1 pkg
2	18049	WaterMatic 300 Base	1		18313	Hardware for Float pkg	1 pkg
3	18470	Drain Plug Ritchie 3"	2 pkg	9	18318	Bolt Down Washer (4/pkg)	2 pkg
4	16562	Access Panel 10"x20"	1	NS	14866	Seal Foam 10' Roll	2
5	18147	Access Panel Hardware pkg	1 pkg	NS	15931	Hose Clamp 1" SS (5/pkg)	1 pkg
6	16898	Bulkhead with Elbow	1 pkg	NS	18614	Adapter 3/4" x 5/8" HB	1 pkg
7	11101	Red Valve 3/4" Male pkg	1 pkg	NS	18096	WMatic 300 Accessory pkg	1 pkg

WaterMatic 150S

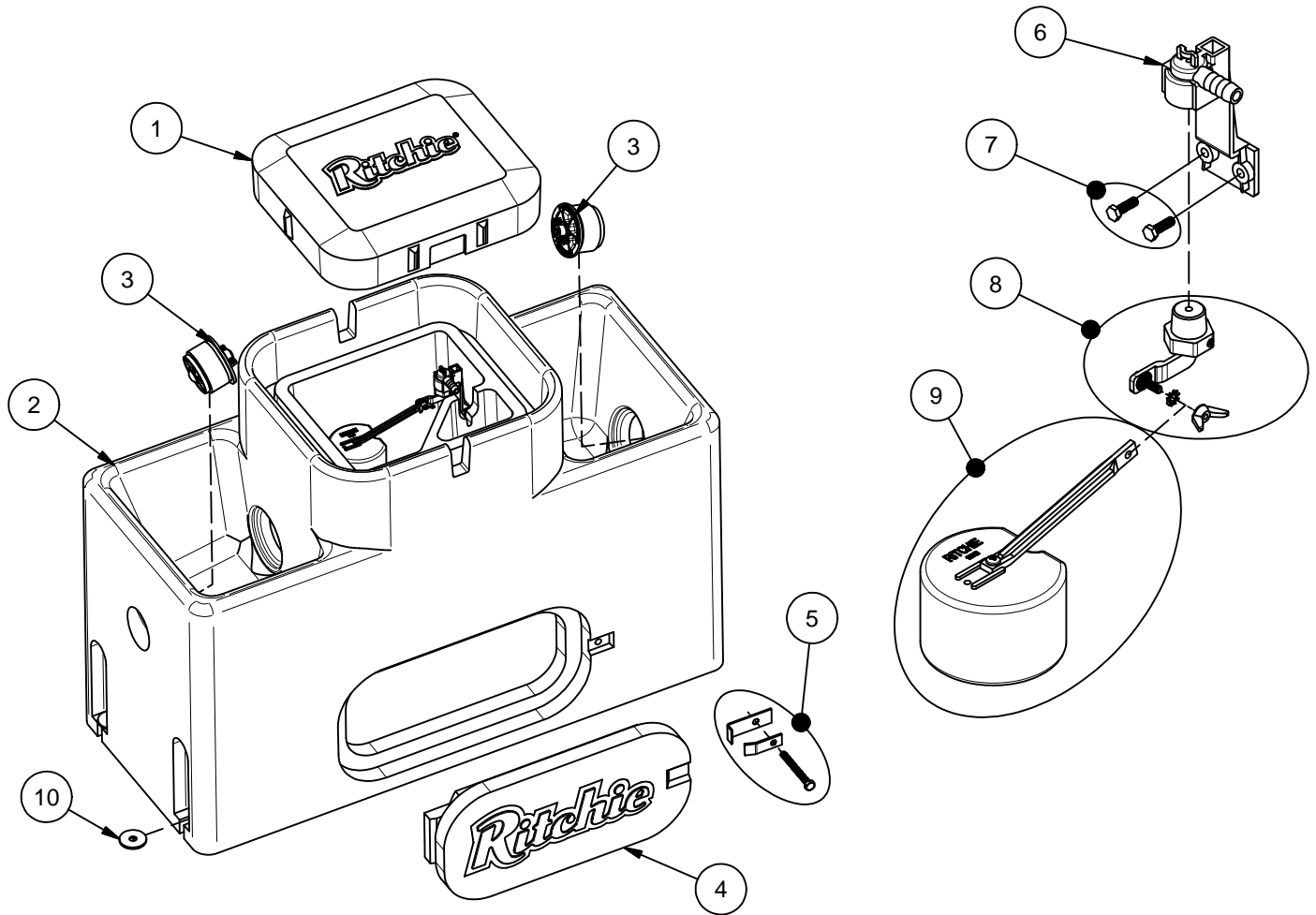
Part # 18222



Item	Part #	Description	Qty	Item	Part #	Description	Qty
1	18223	WaterMatic 150S Cover	1	8	12575	Red Valve 1/2" pkg	1 pkg
2	18224	WaterMatic 150S Base	1	9	12836	Float with Long Arm pkg	1 pkg
3	18470	Drain Plug Ritchie 3"	2 pkg	10	18318	Bolt Down Washer (4/pkg)	1 pkg
4	16621	Access Panel 6"x14"	1	NS	14866	Seal Foam 10' Roll	2
5	18147	Access Panel Hardware pkg	1 pkg	NS	15930	Hose Clamp 7/8" SS (5/pkg)	1 pkg
6	11515	Valve Bracket w/ screw pkg	1 pkg	NS	18613	Adapter 1/2" x 3/8" HB	1 pkg
7	18066	Screw Valve Mount (6/pkg)	1 pkg	NS	18187	WMatic 150/150S Accessory pkg	1 pkg

WaterMatic 150

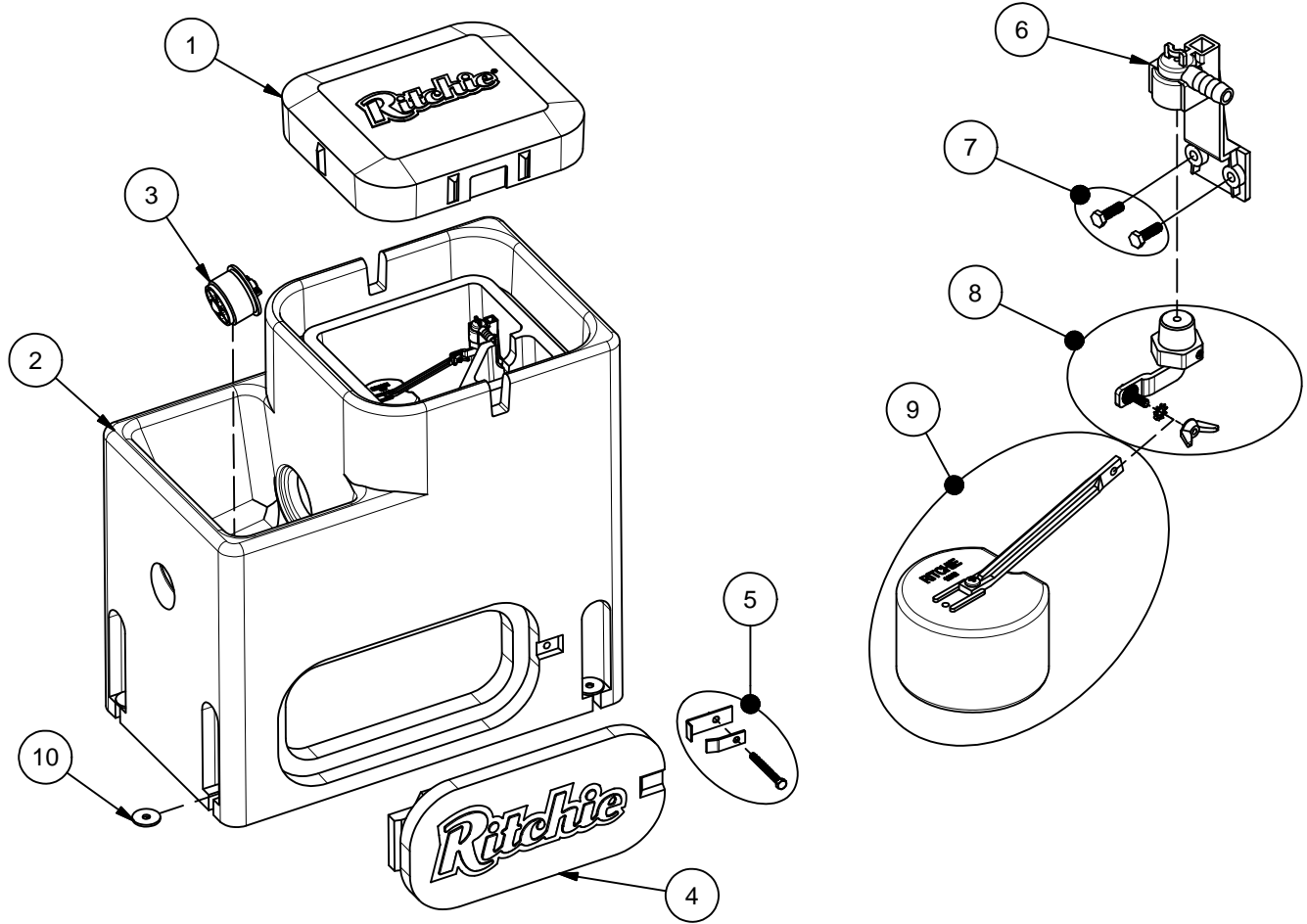
Part # 18166



Item	Part #	Description	Qty	Item	Part #	Description	Qty
1	18167	WaterMatic 100/150 Cover	1	8	12575	Red Valve 1/2" pkg	1 pkg
2	18169	WaterMatic 150 Base	1	9	12836	Float with Long Arm pkg	1 pkg
3	18470	Drain Plug Ritchie 3"	2 pkg	10	18318	Bolt Down Washer (4/pkg)	1 pkg
4	16621	Access Panel 6"x14"	1	NS	14866	Seal Foam 10' Roll	1
5	18147	Access Panel Hardware pkg	1 pkg	NS	15930	Hose Clamp 7/8" SS (5/pkg)	1 pkg
6	11515	Valve Bracket w/ screw pkg	1 pkg	NS	18613	Adapter 1/2" x 3/8" HB	1 pkg
7	18066	Screw Valve Mount (6/pkg)	1 pkg	NS	18187	WMatic 150/150S Accessory pkg	1 pkg

WaterMatic 100

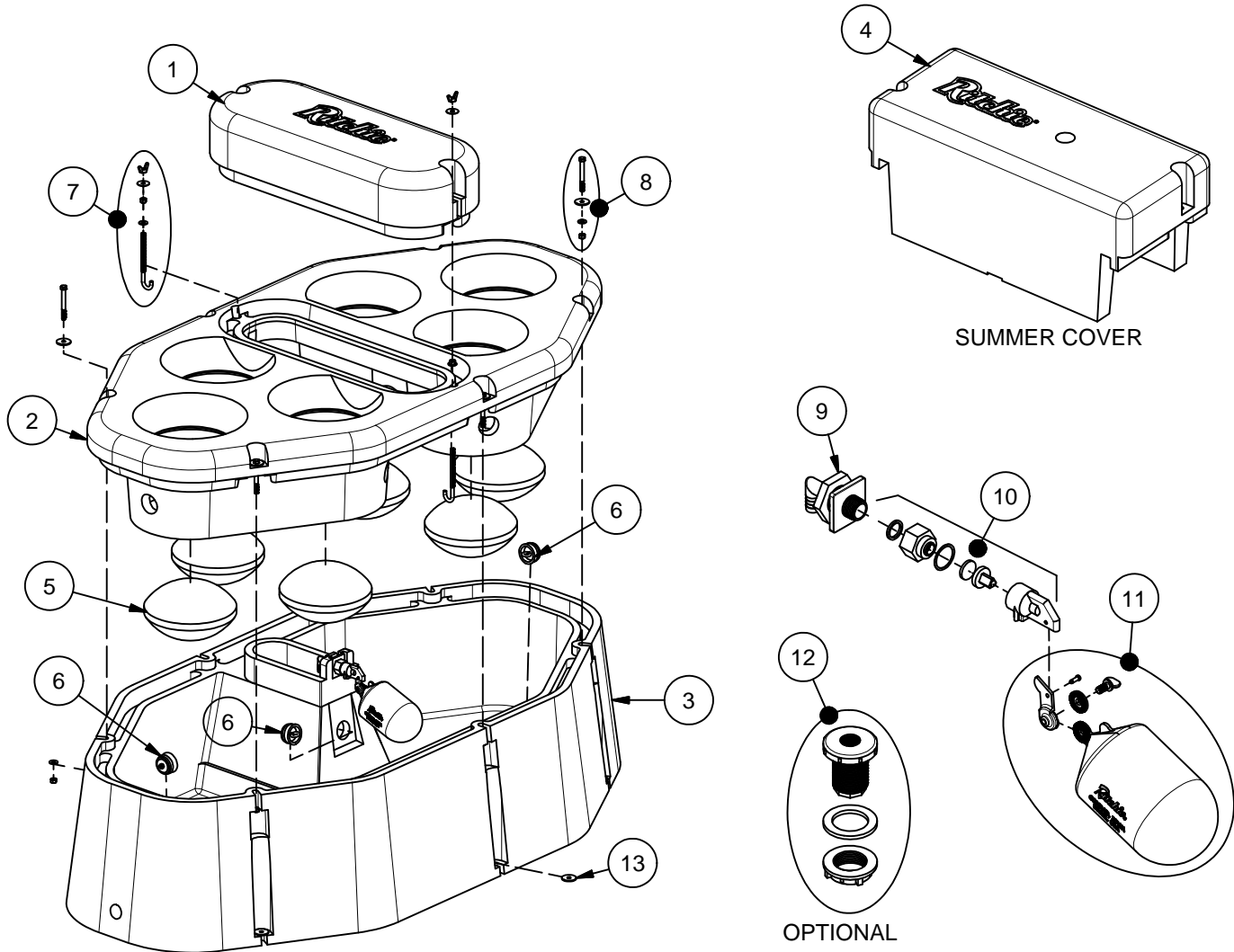
Part # 18165



Item	Part #	Description	Qty	Item	Part #	Description	Qty
1	18167	WaterMatic 100/150 Cover	1	8	12575	Red Valve 1/2" pkg	1 pkg
2	18168	WaterMatic 100 Base	1	9	12836	Float with Long Arm pkg	1 pkg
3	18470	Drain Plug Ritchie 3"	1 pkg	10	18318	Bolt Down Washer (4/pkg)	1 pkg
4	16621	Access Panel 6"x14"	1	NS	14866	Seal Foam 10' Roll	1
5	18147	Access Panel Hardware pkg	1 pkg	NS	15930	Hose Clamp 7/8" SS (5/pkg)	1 pkg
6	11515	Valve Bracket w/ screw pkg	1 pkg	NS	18613	Adapter 1/2" x 3/8" HB	1 pkg
7	18066	Screw Valve Mount (6/pkg)	1 pkg	NS	18174	WMatic 100 Accessory pkg	1 pkg

Thrifty King CT6

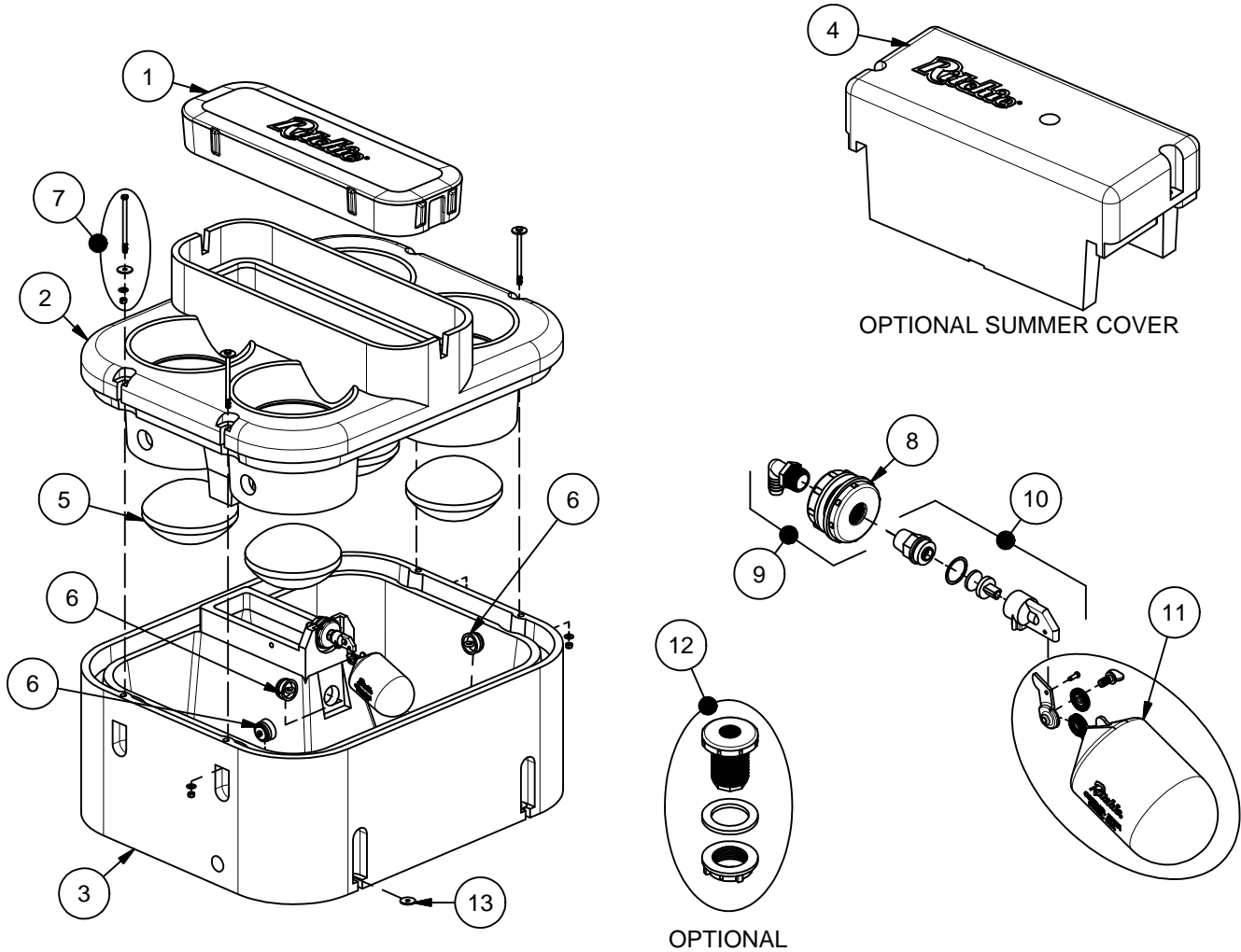
Part # 16440



Item	Part #	Description	Qty	Item	Part #	Description	Qty
1	16391	Thrifty King CT6 Cover	1	11	18314	Float with Hardware pkg	1 pkg
2	16443	Thrifty King CT6 Top	1		18313	Hardware for Float pkg	1 pkg
3	16442	Thrifty King CT6 Base	1	12	18624	Optional Non-Potable Vlv Adptr	1 pkg
4	18090	Thrifty King CT Summer Cover	1	13	18318	Bolt Down Washer (4/pkg)	2 pkg
5	16305	Elliptical Closures	6	NS	14866	Seal Foam 10' Roll	2
6	18219	Drain Plug #11 pkg	3 pkg	NS	14859	Pipe Insulation	1
7	16540	J-Bolt CT6 SS (2/pkg)	1 pkg	NS	15931	Hose Clamp 1" SS (5/pkg)	1 pkg
8	16288	Top Bolt, Wshr, & Nut SS (2/pkg)	3 pkg	NS	18614	Adapter 3/4" x 5/8" HB	1 pkg
9	16422	Valve Bracket with Nut	1 pkg	NS	16441	TK CT6 Accessory pkg	1 pkg
10	12570	Red Valve 3/4" Female pkg	1 pkg	NS	16646	Opt. Ribbed Elliptical Closures	6

Thrifty King CT4-2000

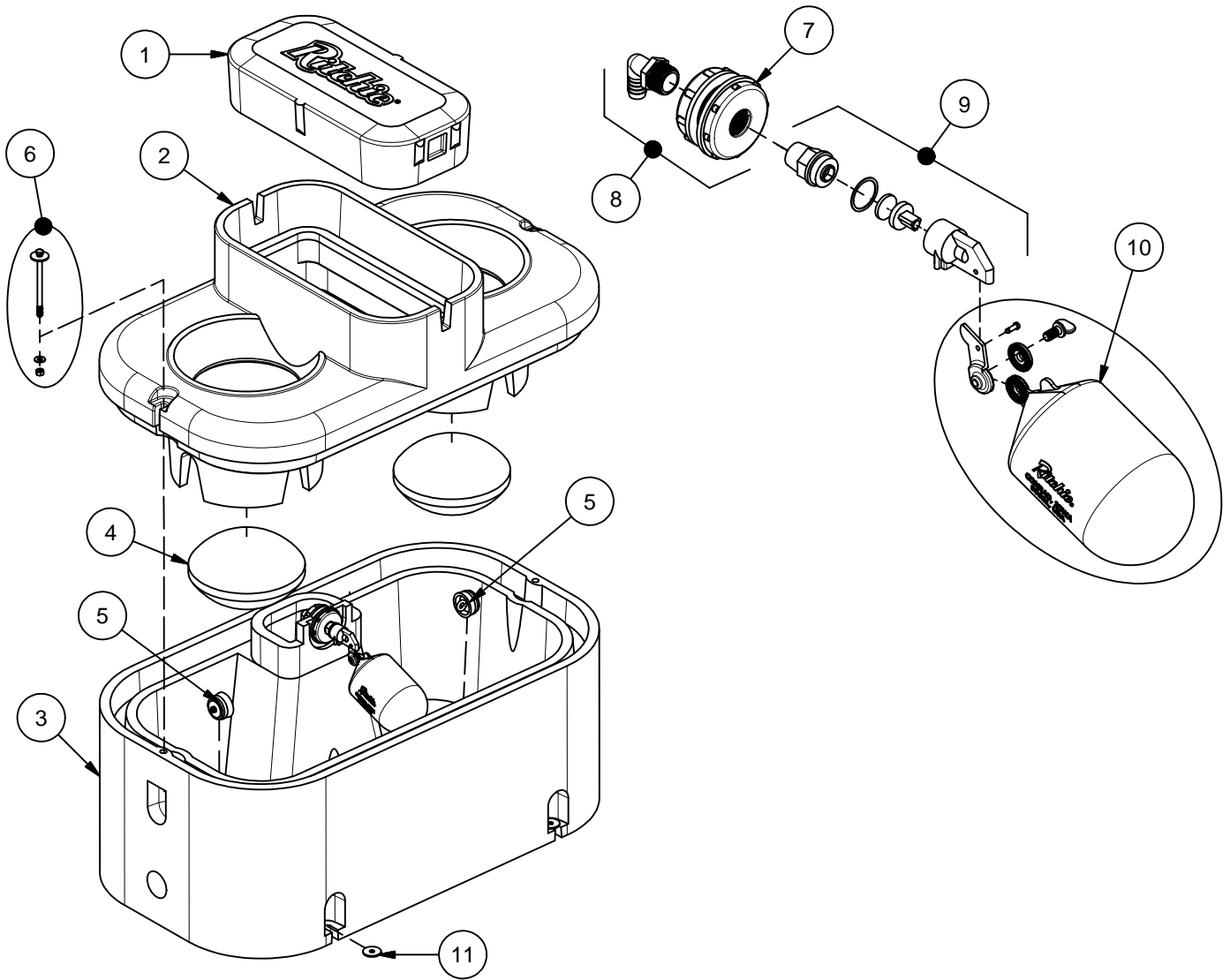
Part # 16430



Item	Part #	Description	Qty	Item	Part #	Description	Qty
1	18121	Thrifty King CT4 Cover	1	11	18314	Float with Hardware pkg	1 pkg
2	18120	Thrifty King CT4 Top	1		18313	Hardware for Float pkg	1 pkg
3	18119	Thrifty King CT4 Base	1	12	18624	Optional Non-Potable Vlv Adptr	1 pkg
4	18090	Optional TK CT Summer Cover	1	13	18318	Bolt Down Washer (4/pkg)	1 pkg
5	16305	Elliptical Closures	4	NS	14866	Seal Foam 10' Roll	2
6	18219	Drain Plug #11 pkg	3 pkg	NS	14859	Pipe Insulation	1
7	16538	Top Bolt, Wshr, & Nut (2/pkg)	2 pkg	NS	15931	Hose Clamp 1" SS (5/pkg)	1 pkg
8	18625	Bulkhead Fitting 3/4" NPT	1 pkg	NS	18614	Adapter 3/4" x 5/8" HB	1 pkg
9	16898	Bulkhead with Elbow	1 pkg	NS	18155	TK CT 4 Accessory pkg	1 pkg
10	15377	Green Valve 3/4" Male pkg	1 pkg	NS	16646	Opt. Ribbed Elliptical Closures	4

Thrifty King CT2-2000

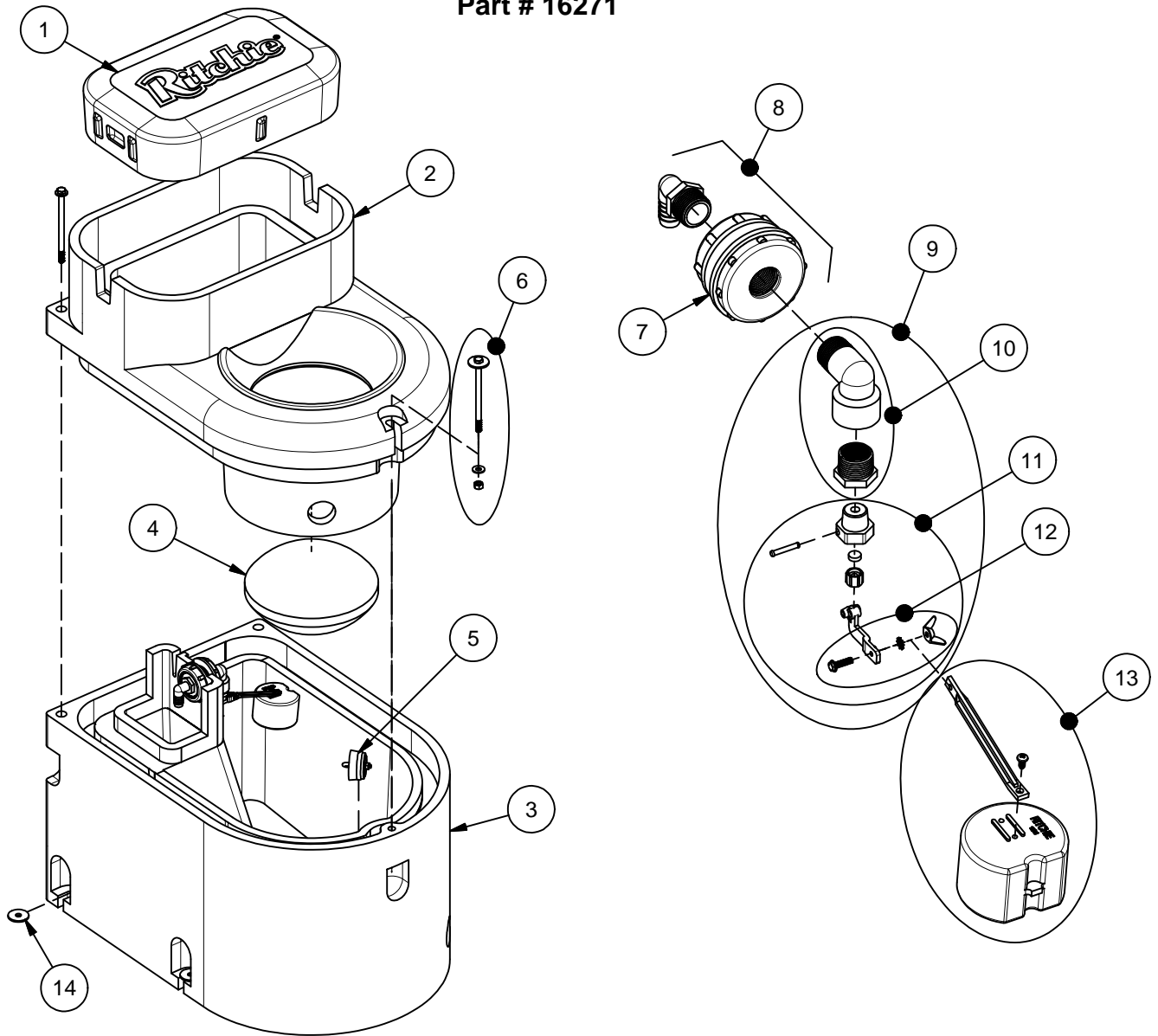
Part # 16299



Item	Part #	Description	Qty	Item	Part #	Description	Qty
1	16893	Thrifty King CT2 Cover	1	10	18314	Float with Hardware pkg	1 pkg
2	16894	Thrifty King CT2 Top	1		18313	Hardware for Float pkg	1 pkg
3	16895	Thrifty King CT2 Base	1	11	18318	Bolt Down Washer (4/pkg)	1 pkg
4	16305	Elliptical Closures	2	NS	14866	Seal Foam 10' Roll	2
5	18219	Drain Plug #11 pkg	2 pkg	NS	14859	Pipe Insulation	1
6	16538	Top Bolt, Wshr, & Nut (2/pkg)	1 pkg	NS	15931	Hose Clamp 1" SS (5/pkg)	1 pkg
7	17461	Bulkhead Fitting 3/4" NPT	1 pkg	NS	18614	Adapter 3/4" x 5/8" HB	1 pkg
8	16898	Bulkhead with Elbow	1 pkg	NS	18340	TK CT2 Accessory pkg	1 pkg
9	15377	Green Valve 3/4" Male pkg	1 pkg	NS	16646	Opt. Ribbed Elliptical Closures	2

Thrifty King CT1-2000

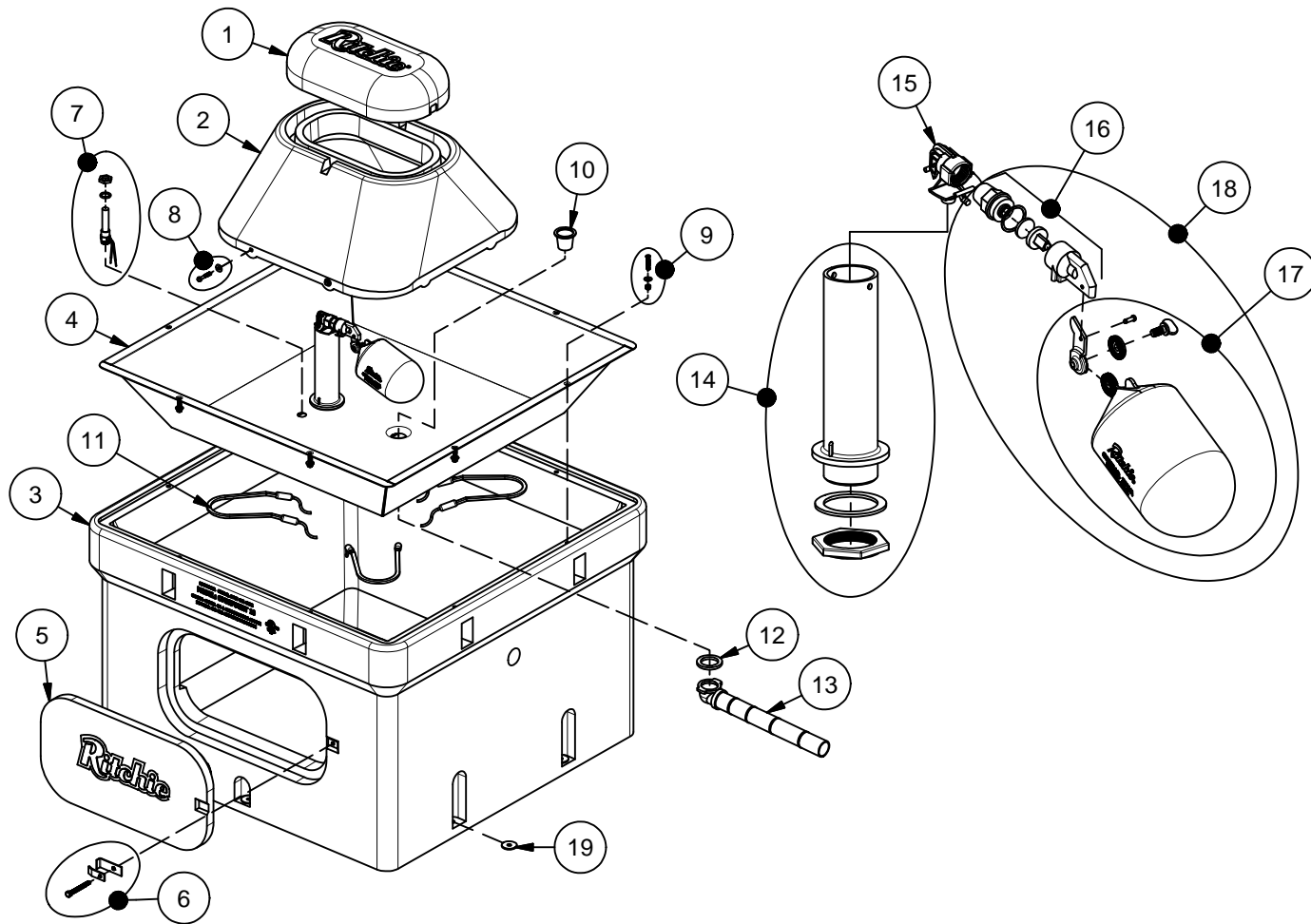
Part # 16271



Item	Part #	Description	Qty	Item	Part #	Description	Qty
1	16861	Thrifty King CT1 Cover	1	10	16287	Adptr Reducer 3/4" to 1/2" pkg	1 pkg
2	16860	Thrifty King CT1 Top	1	11	12574	White Valve 1/2" Male pkg	1 pkg
3	16859	Thrifty King CT1 Base	1	12	12576	Wingnut/Screw Assembly	1 pkg
4	16305	Elliptical Closures	1	13	12836	Float with Long Arm pkg	1 pkg
5	18219	Drain Plug #11 pkg	1 pkg	NS	14866	Seal Foam 10' Roll	1
6	16538	Top Bolt, Wshr, & Nut (2/pkg)	2 pkg	NS	14859	Pipe Insulation	1
7	18625	Bulkhead Fitting 3/4" NPT	1 pkg	NS	18614	Adapter 3/4" x 5/8" HB	1 pkg
8	16898	Bulkhead with Elbow	1 pkg	NS	16857	TK CT1 Accessory pkg	1 pkg
9	16899	White Valve 1/2" W/ Adpt pkg	1 pkg	NS	16646	Opt. Ribbed Elliptical Closures	1

OmniFount 10

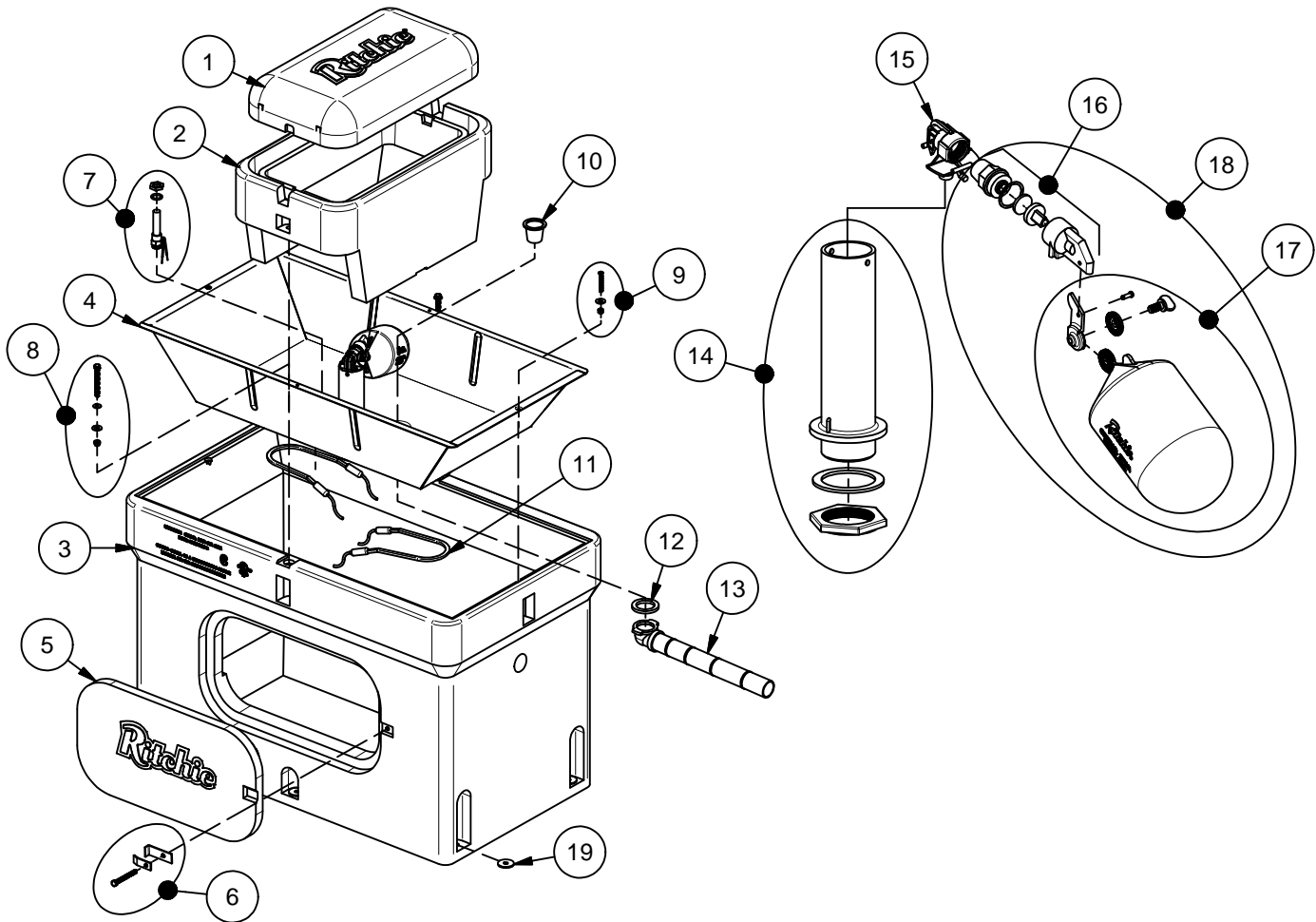
Part # 18460



Item	Part #	Description	Qty	Item	Part #	Description	Qty
1	18462	Omni 10 Cover	1	14	16629	Standpipe pkg	1 pkg
2	18464	Omni 10 Frame	1	15	11514	Valve Bracket 3/4" pkg	1 pkg
	18472	Omni 10 Cover & Frame pkg	1 pkg	16	15377	Green Male Valve 3/4" pkg	1 pkg
3	18466	Omni 10 Casing	1	17	18314	Float with Hardware pkg	1 pkg
4	18469	Omni 10 Trough pkg	1 pkg		18313	Hardware for Float pkg	1 pkg
5	16562	Access Panel 10"x20"	1	18	16993	Green Valve & Float pkg	1 pkg
6	18147	Access Panel Hardware pkg	1 pkg	19	18318	Bolt Down Washer (4/pkg)	2 pkg
7	16534	Fenwal Thermostat SS pkg	1 pkg	NS	12583	Valve Supply Line pkg	1 pkg
	18320	O-Ring Fenwal (6/pkg)	1 pkg	NS	13830	Cable Htr 120V 48W (1/pkg)	1 pkg
	18074	Nut Brass Fenwal (6/pkg)	1 pkg	NS	16554	Omni 10 Accessory pkg	1 pkg
8	18471	Frame Bolt & Wshr SS(4/pkg)	1 pkg	NS	16523	Seal Foam 1/4"x3/4"x25' Roll	1
9	18095	Trough Screw & Nut SS (2/pkg)	4 pkg	NS	14866	Seal Foam 1/2"x3/4"x10' Roll	1
10	18628	Drain Plug (2/pkg)	1 pkg				
11	11419	Heater 120V 250W (1/pkg)	4 pkg		18461	OMNI 10 240V	
12	18075	Drain Washer (6/pkg)	1 pkg	NS	11403	Heater 240V 300W (1/pkg)	3 pkg
13	11473	Drain Pipe with Elbow	1	NS	16424	Cable Htr 240V 48W (1/pkg)	1 pkg

OmniFount 5

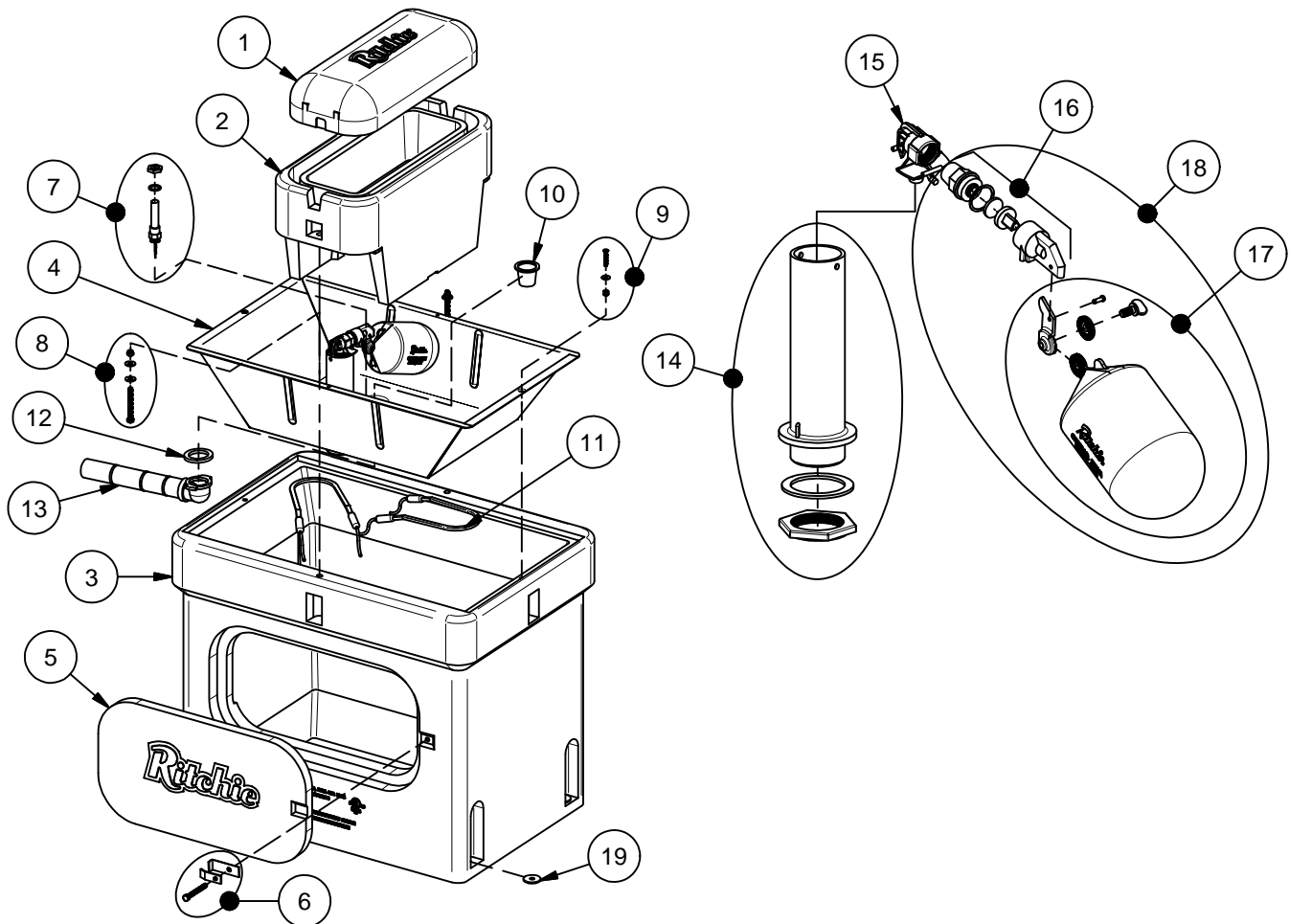
Part # 16533



Item	Part #	Description	Qty	Item	Part #	Description	Qty
1	18426	Omni 5 Cover	1	14	16629	Standpipe pkg	1 pkg
2	18343	Omni 5 Frame pkg	1 pkg	15	11514	Valve Bracket 3/4" pkg	1 pkg
	18344	Omni 5 Cover & Frame pkg	1 pkg	16	15377	Green Male Valve 3/4" pkg	1 pkg
3	16561	Omni 5 Casing	1	17	18314	Float with Hardware pkg	1 pkg
4	16631	Omni 5 Trough	1 pkg		18313	Hardware for Float pkg	1 pkg
5	16562	Access Panel 10"x20"	1	18	16993	Green Valve & Float pkg	1 pkg
6	18147	Access Panel Hardware pkg	1 pkg	19	18318	Bolt Down Washer (4/pkg)	2 pkg
7	16534	Fenwal Thermostat SS pkg	1 pkg	NS	12583	Valve Supply Line pkg	1 pkg
	18320	O-Ring Fenwal (6/pkg)	1 pkg	NS	13830	Cable Htr 120V 48W (1/pkg)	1 pkg
	18074	Nut Brass Fenwal (6/pkg)	1 pkg	NS	16554	Omni 5 Accessory pkg	1 pkg
8	18319	Frame Bolt & Wshr SS(2/pkg)	1 pkg	NS	16523	Seal Foam 1/4"x3/4"x25' Roll	1
9	18095	Trough Screw & Nut SS (2/pkg)	1 pkg	NS	14866	Seal Foam 1/2"x3/4"x10' Roll	1
10	18628	Drain Plug (2/pkg)	1 pkg				
11	11419	Heater 120V 250W (1/pkg)	2 pkg		16829	OMNI 5 240V	
12	18075	Drain Washer (6/pkg)	1 pkg	NS	11403	Heater 240V 300W (1/pkg)	2 pkg
13	11473	Drain Pipe with Elbow	1	NS	16424	Cable Htr 240V 48W (1/pkg)	1 pkg

OmniFount 3

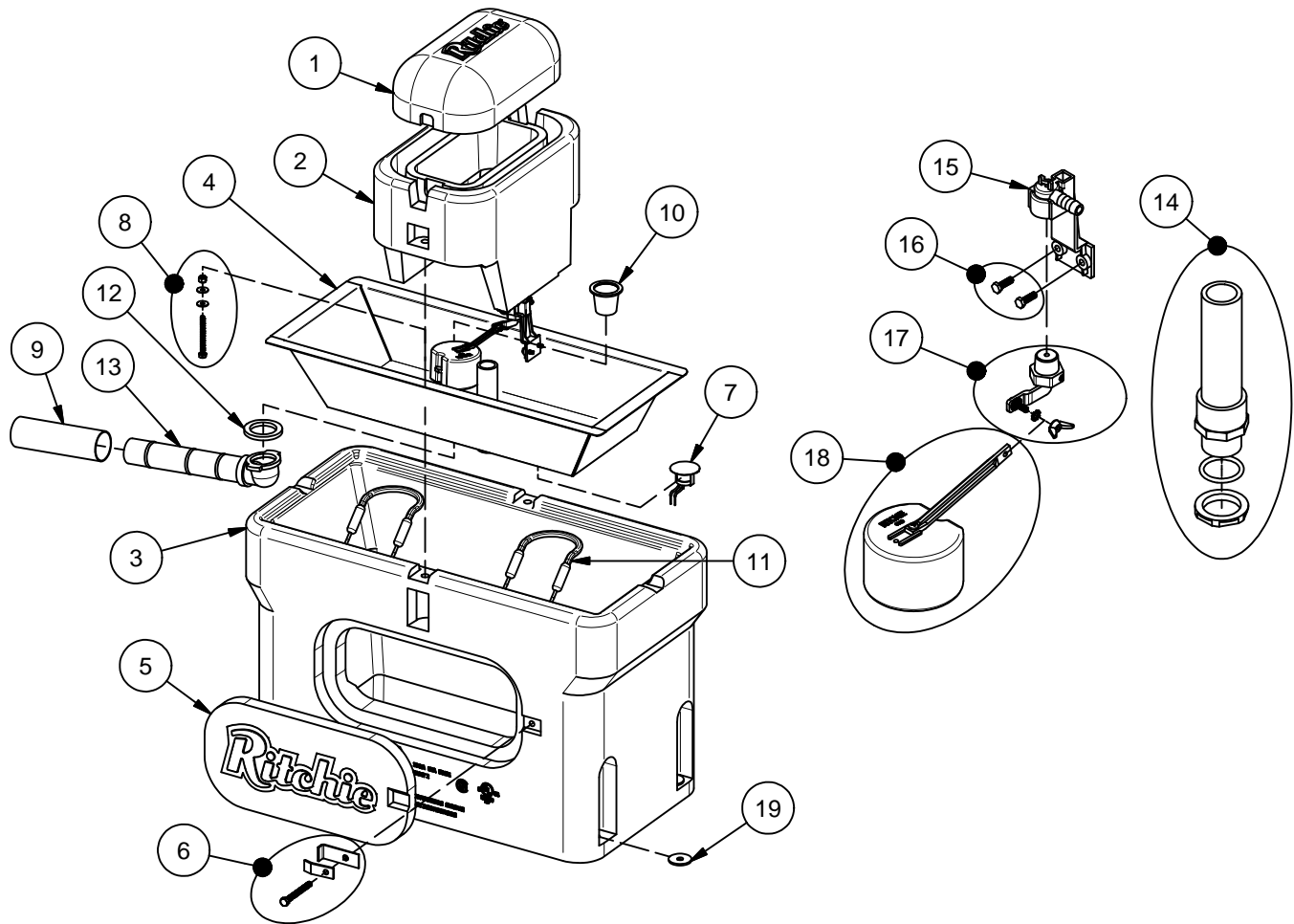
Part # 18270



Item	Part #	Description	Qty	Item	Part #	Description	Qty
1	18418	Omni 3 Cover	1	14	16629	Standpipe pkg	1 pkg
2	18345	Omni 3 Frame pkg	1 pkg	15	11514	Valve Bracket 3/4" pkg	1 pkg
	18346	Omni 3 Cover & Frame pkg	1 pkg	16	15377	Green Male Valve 3/4" pkg	1 pkg
3	18272	Omni 3 Casing	1	17	18314	Float with Hardware pkg	1 pkg
4	18342	Omni 3 Trough	1 pkg		18313	Hardware for Float pkg	1 pkg
5	16562	Access Panel 10"x20"	1	18	16993	Green Valve & Float pkg	1 pkg
6	18147	Access Panel Hardware pkg	1 pkg	19	18318	Bolt Down Washer (4/pkg)	2 pkg
7	16534	Fenwal Thermostat SS pkg	1 pkg	NS	12583	Valve Supply Line pkg	1 pkg
	18320	O-Ring Fenwal (6/pkg)	1 pkg	NS	13830	Cable Htr 120V 48W (1/pkg)	1 pkg
	18074	Nut Brass Fenwal (6/pkg)	1 pkg	NS	16554	Omni 3 Accessory pkg	1 pkg
8	18319	Frame Bolt & Wshr SS(2/pkg)	1 pkg	NS	16523	Seal Foam 1/4"x3/4"x25' Roll	1
9	18095	Trough Screw & Nut SS (2/pkg)	1 pkg	NS	14866	Seal Foam 1/2"x3/4"x10' Roll	1
10	18628	Drain Plug (2/pkg)	1 pkg				
11	11419	Heater 120V 250W (1/pkg)	2 pkg		18273	OMNI 3 240V	
12	18075	Drain Washer (6/pkg)	1 pkg	NS	11403	Heater 240V 300W (1/pkg)	2 pkg
13	11472	Drain Pipe with Elbow	1	NS	16424	Cable Htr 240V 48W (1/pkg)	1 pkg

OmniFount 2

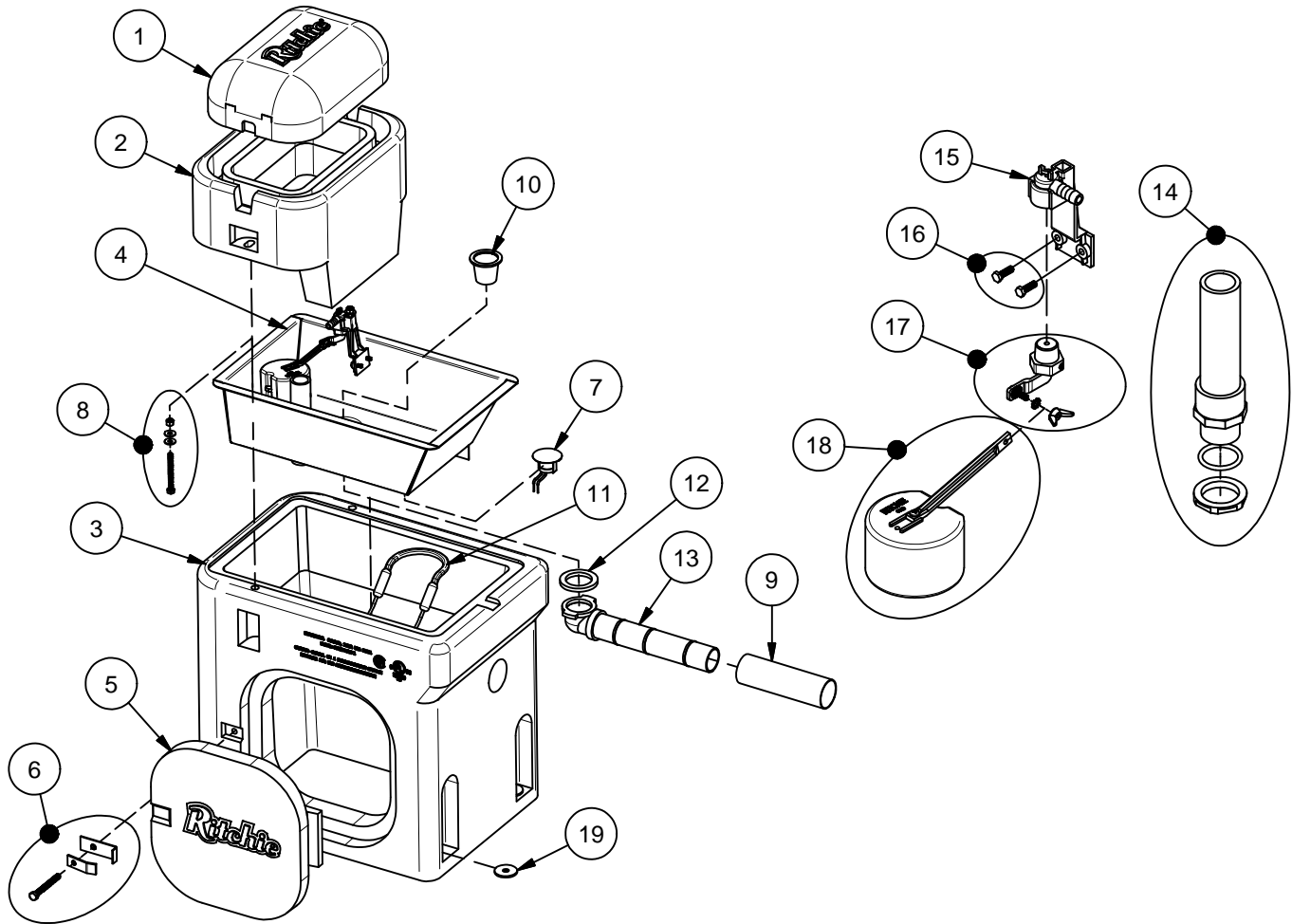
Part # 16619



Item	Part #	Description	Qty	Item	Part #	Description	Qty
1	18424	Omni 2 Cover	1	14	16866	Standpipe pkg	1 pkg
2	18347	Omni 2 Frame pkg	1 pkg	15	11515	Valve Bracket 1/2" w/ Scrws pkg	1 pkg
	18348	Omni 2 Cover & Frame pkg	1 pkg	16	18066	Screws Valve Bracket (6/ pkg)	1 pkg
3	16620	Omni 2 Casing	1	17	12575	Red Valve 1/2" pkg	1 pkg
4	16616	Omni 2 Trough	1 pkg	18	13613	Float with Short Arm pkg	1 pkg
5	16621	Access Panel 6"x14"	1	19	18318	Bolt Down Washer (4/pkg)	1 pkg
6	18147	Access Panel Hardware pkg	1 pkg	NS	13830	Cable Htr 120V 48W (1/pkg)	1 pkg
7	11885	Disc Thermostat pkg	1 pkg	NS	16627	Omni 2 Accessory pkg	1 pkg
8	18266	Frame Bolt,nut&wshr SS(3/pkg)	1 pkg	NS	16523	Seal Foam 1/4"x3/4"x25' Roll	1
9	17500	Drain Pipe Guard	1	NS	14866	Seal Foam 1/2"x3/4"x10' Roll	1
10	18628	Drain Plug (2/pkg)	1 pkg				
11	14150	Heater 120V 125W (1/pkg)	2 pkg		16844	OMNI 2 240V	
12	18075	Drain Washer (6/pkg)	1 pkg	NS	16664	Heater 240V 200W (1/pkg)	2 pkg
13	11471	Drain Pipe with Elbow	1	NS	16424	Cable Htr 240V 48W (1/pkg)	1 pkg

OmniFount 1

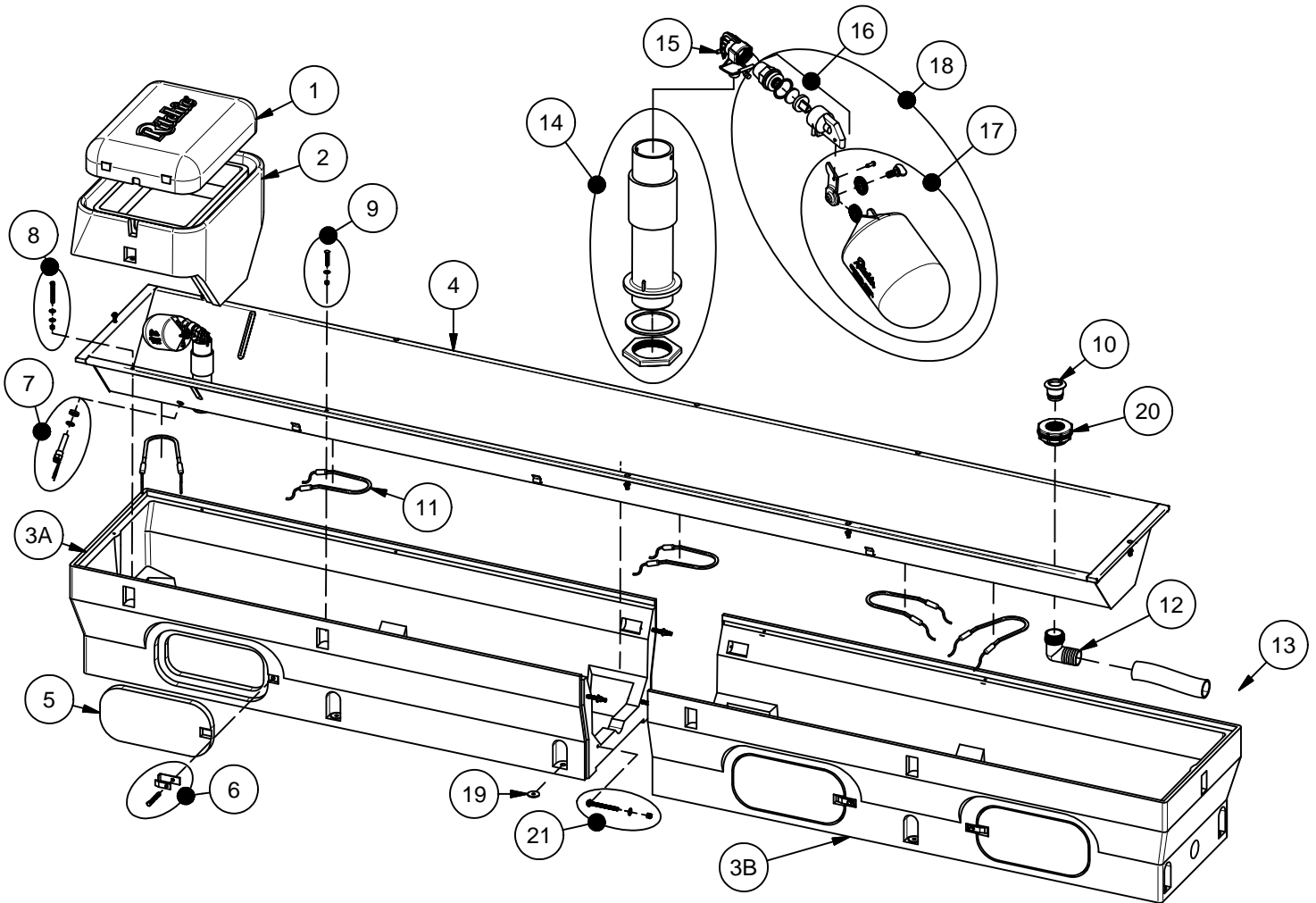
Part # 18359



Item	Part #	Description	Qty	Item	Part #	Description	Qty
1	18422	Omni 1 Cover	1	14	16866	Standpipe pkg	1 pkg
2	18473	Omni 1 Frame pkg	1 pkg	15	11515	Valve Bracket 1/2" w/ Scrws pkg	1 pkg
	18474	Omni 1 Cover & Frame pkg	1 pkg	16	18066	Screws Valve Bracket (6/ pkg)	1 pkg
3	18361	Omni 1 Casing	1	17	12575	Red Valve 1/2" pkg	1 pkg
4	18368	Omni 1 Trough	1 pkg	18	13613	Float with Short Arm pkg	1 pkg
5	18370	Access Panel 10"x10"	1	19	18318	Bolt Down Washer (4/pkg)	1 pkg
6	18147	Access Panel Hardware pkg	1 pkg	NS	13830	Cable Htr 120V 48W (1/pkg)	1 pkg
7	11885	Disc Thermostat pkg	1 pkg	NS	16627	Omni 1 Accessory pkg	1 pkg
8	18266	Frame Bolt,nut&wshr SS(3/pkg)	1 pkg	NS	16523	Seal Foam 1/4"x3/4"x25' Roll	1
9	17500	Drain Pipe Guard	1	NS	14866	Seal Foam 1/2"x3/4"x10' Roll	1
10	18628	Drain Plug (2/pkg)	1 pkg				
11	14150	Heater 120V 125W (1/pkg)	1 pkg		18362	OMNI 1 240V	
12	18075	Drain Washer (6/pkg)	1 pkg	NS	16664	Heater 240V 200W (1/pkg)	1 pkg
13	11471	Drain Pipe with Elbow	1	NS	16424	Cable Htr 240V 48W (1/pkg)	1 pkg

CattleMaster 1440

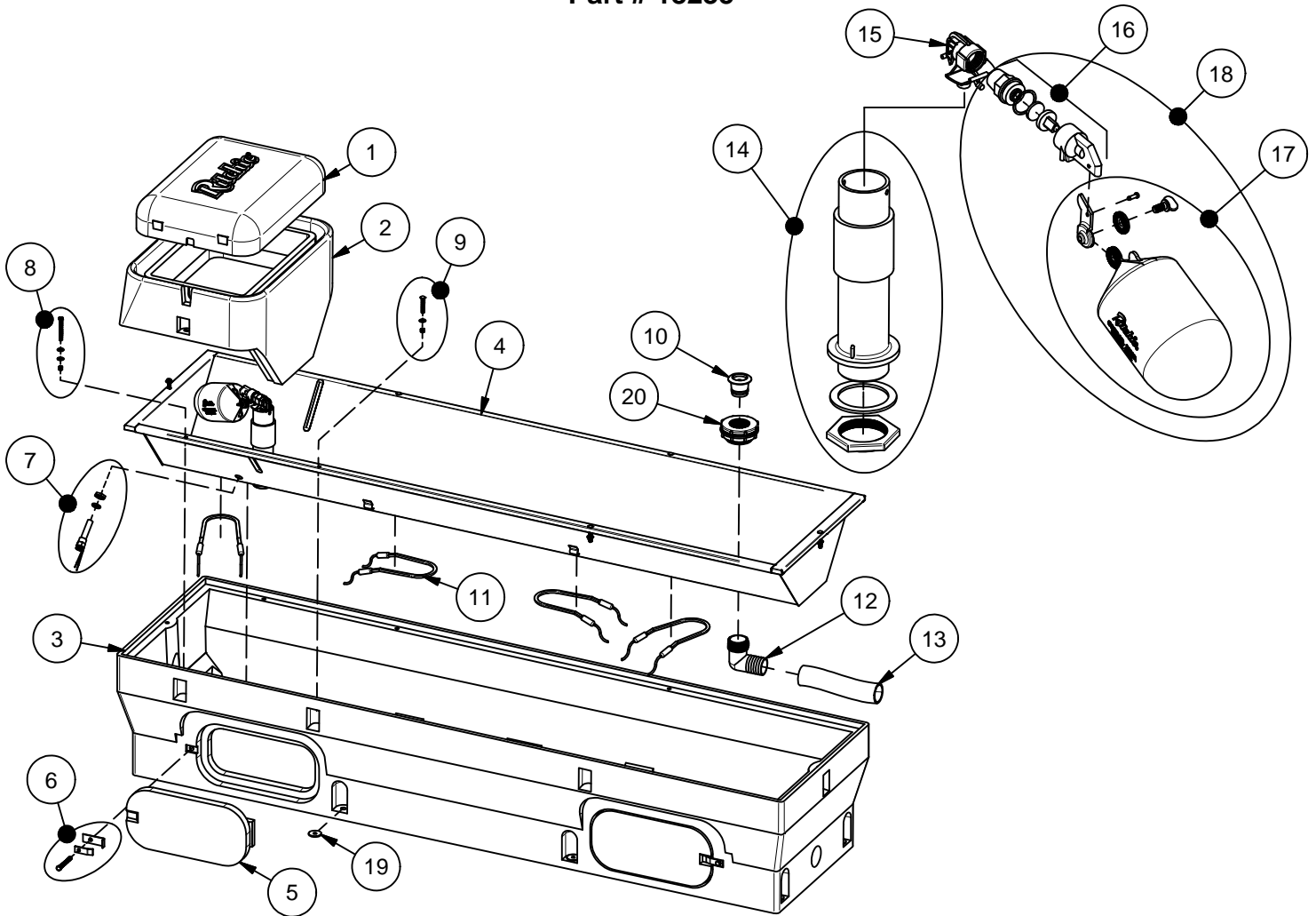
Part # 18252



Item	Part #	Description	Qty	Item	Part #	Description	Qty
1	18428	CM Cover	1	14	18181	CM Standpipe pkg	1 pkg
2	18349	CM Frame pkg	1 pkg	15	11514	Valve Bracket 3/4" pkg	1 pkg
	18350	CM Cover & Frame pkg	1 pkg	16	11101	Red Male Valve 3/4" pkg	1 pkg
3A	18254	CM 1440 Casing Frame End	1	17	18314	Float with Hardware pkg	1 pkg
3B	18269	CM 1440 Casing Drain End	1		18313	Hardware for Float pkg	1 pkg
4	16791	CM 1440 Trough pkg	1 pkg	18	16991	Red Valve & Float pkg	1 pkg
5	16621	Access Panel 6"x14"	3	19	18318	Bolt Down Washer (4/pkg)	3 pkg
6	18147	Access Panel Hardware pkg	3 pkg	20	17679	CM Bulkhead fitting 2"	1
7	16534	Fenwal Thermostat SS pkg	1 pkg	21	18300	Bolt/Nut/Wshr SS (2/pkg)	2 pkg
	18320	O-Ring Fenwal (6/pkg)	1 pkg	NS	12583	Valve Supply Line pkg	1 pkg
	18074	Nut Brass Fenwal (6/pkg)	1 pkg	NS	13830	Cable Htr 120V 48W (1/pkg)	1 pkg
8	18266	Frame Bolt & Wshr SS(3/pkg)	1 pkg	NS	18333	CM 1440 Accessory pkg	1 pkg
9	18265	Trough Bolt & Nut SS (5/pkg)	2 pkg	NS	14866	Seal Foam 1/2"x3/4"x10' Roll	3
10	18338	CM Drain Plug pkg	1 pkg		18255	CM 1440 240V	
11	11419	Heater 120V 250W (1/pkg)	5 pkg	NS	11403	Heater 240V 300W (1/pkg)	3 pkg
12	17678	Drain Elbow Fitting	1	NS	16424	Cable Htr 240V 48W (1/pkg)	1 pkg
13	17677	Drain Tube 10"	1				

CattleMaster 840

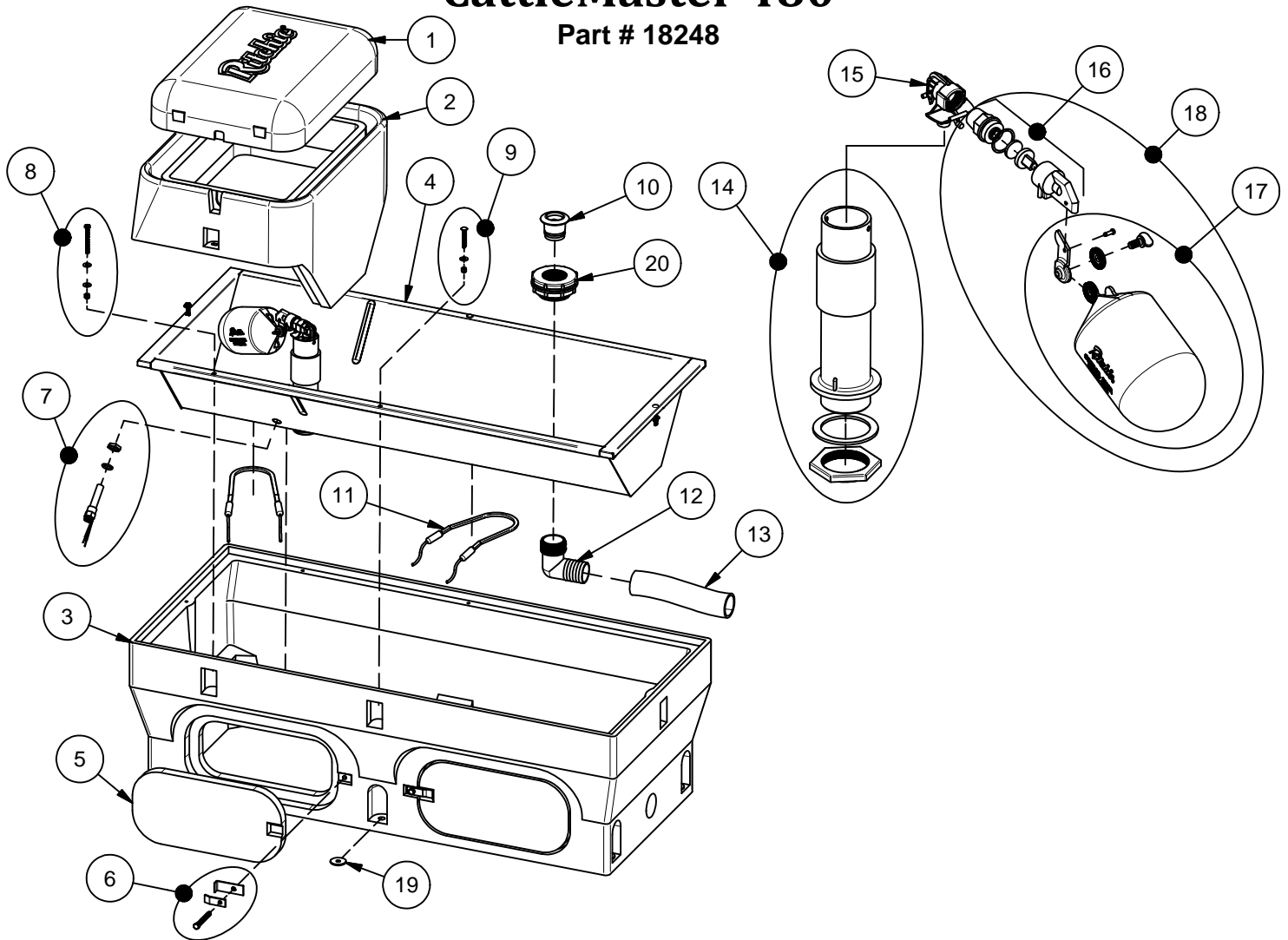
Part # 18235



Item	Part #	Description	Qty	Item	Part #	Description	Qty
1	18428	CM Cover	1	14	18181	CM Standpipe pkg	1 pkg
2	18349	CM Frame pkg	1 pkg	15	11514	Valve Bracket 3/4" pkg	1 pkg
	18350	CM Cover & Frame pkg	1 pkg	16	11101	Red Male Valve 3/4" pkg	1 pkg
3	18240	CM 840 Casing	1	17	18314	Float with Hardware pkg	1 pkg
4	16786	CM 840 Trough pkg	1 pkg		18313	Hardware for Float pkg	1 pkg
5	16621	Access Panel 6"x14"	2	18	16991	Red Valve & Float pkg	1 pkg
6	18147	Access Panel Hardware pkg	2 pkg	19	18318	Bolt Down Washer (4/pkg)	2 pkg
7	16534	Fenwal Thermostat SS pkg	1 pkg	20	17679	CM Bulkhead fitting 2"	1
	18320	O-Ring Fenwal (6/pkg)	1 pkg	NS	12583	Valve Supply Line pkg	1 pkg
	18074	Nut Brass Fenwal (6/pkg)	1 pkg	NS	13830	Cable Htr 120V 48W (1/pkg)	1 pkg
8	18266	Frame Bolt & Wshr SS(3/pkg)	1 pkg	NS	18331	CM 840 Accessory pkg	1 pkg
9	18265	Trough Bolt & Nut SS (5/pkg)	1 pkg	NS	14866	Seal Foam 1/2"x3/4"x10' Roll	2
10	18338	CM Drain Plug pkg	1 pkg				
11	11419	Heater 120V 250W (1/pkg)	4 pkg		18243	CM 840 240V	
12	17678	Drain Elbow Fitting	1	NS	11403	Heater 240V 300W (1/pkg)	3 pkg
13	17677	Drain Tube 10"	1	NS	16424	Cable Htr 240V 48W (1/pkg)	1 pkg

CattleMaster 480

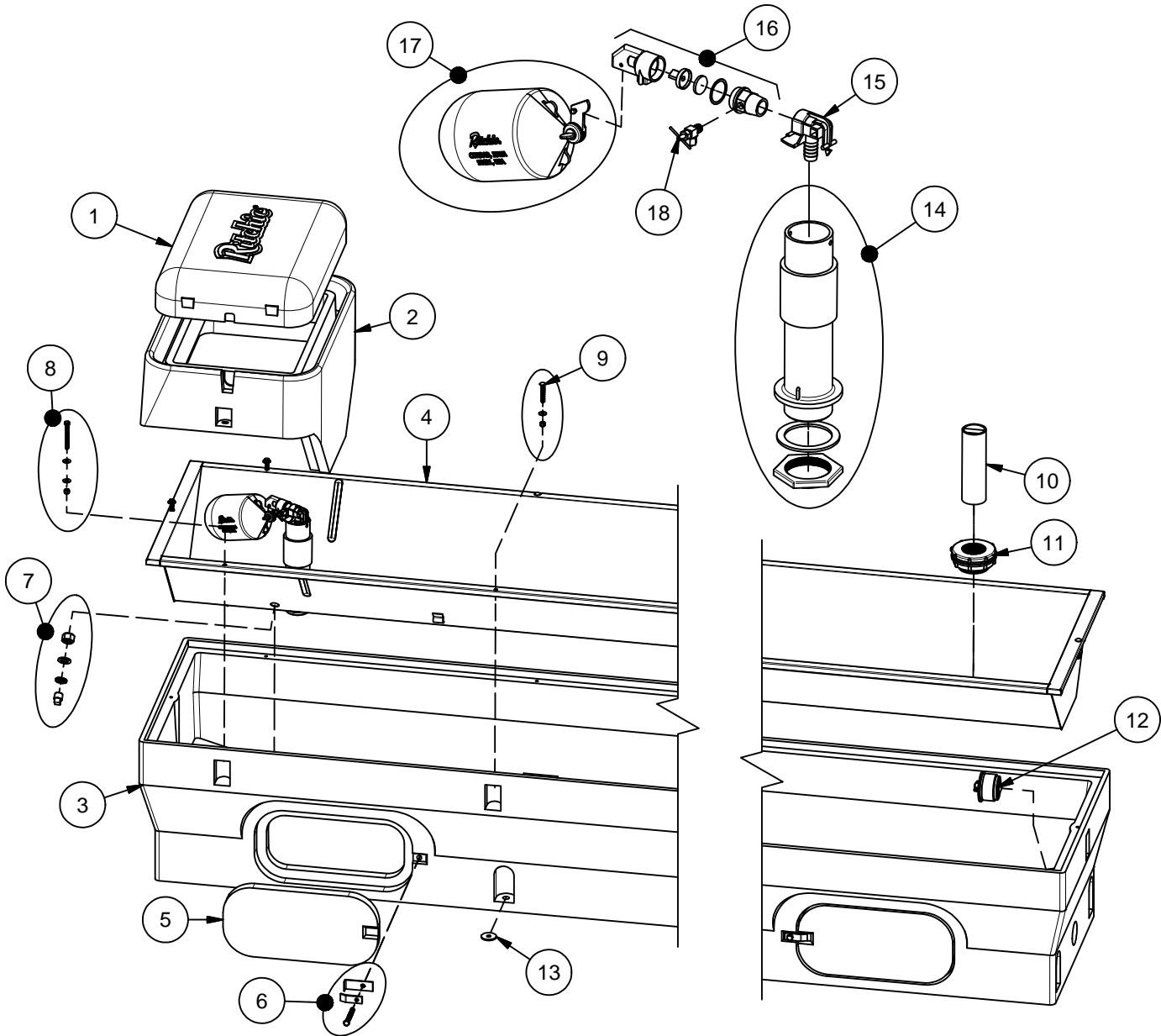
Part # 18248



Item	Part #	Description	Qty	Item	Part #	Description	Qty
1	18428	CM Cover	1	14	18181	CM Standpipe pkg	1 pkg
2	18349	CM Frame pkg	1 pkg	15	11514	Valve Bracket 3/4" pkg	1 pkg
	18350	CM Cover & Frame pkg	1 pkg	16	11101	Red Male Valve 3/4" pkg	1 pkg
3	18250	CM 480 Casing	1	17	18314	Float with Hardware pkg	1 pkg
4	16780	CM 480 Trough pkg	1 pkg		18313	Hardware for Float pkg	1 pkg
5	16621	Access Panel 6"x14"	2	18	16991	Red Valve & Float pkg	1 pkg
6	18147	Access Panel Hardware pkg	2 pkg	19	18318	Bolt Down Washer (4/pkg)	2 pkg
7	16534	Fenwal Thermostat SS pkg	1 pkg	20	17679	CM Bulkhead fitting 2"	1
	18320	O-Ring Fenwal (6/pkg)	1 pkg	NS	12583	Valve Supply Line pkg	1 pkg
	18074	Nut Brass Fenwal (6/pkg)	1 pkg	NS	13830	Cable Htr 120V 48W (1/pkg)	1 pkg
8	18266	Frame Bolt & Wshr SS(3/pkg)	1 pkg	NS	18329	CM 480 Accessory pkg	1 pkg
9	18265	Trough Bolt & Nut SS (5/pkg)	1 pkg	NS	14866	Seal Foam 1/2"x3/4"x10' Roll	2
10	18338	CM Drain Plug pkg	1 pkg				
11	11419	Heater 120V 250W (1/pkg)	2 pkg		18251	CM 480 240V	
12	17678	Drain Elbow Fitting	1	NS	11403	Heater 240V 300W (1/pkg)	2 pkg
13	17677	Drain Tube 10"	1	NS	16424	Cable Htr 240V 48W (1/pkg)	1 pkg

Constant Flow CattleMaster's

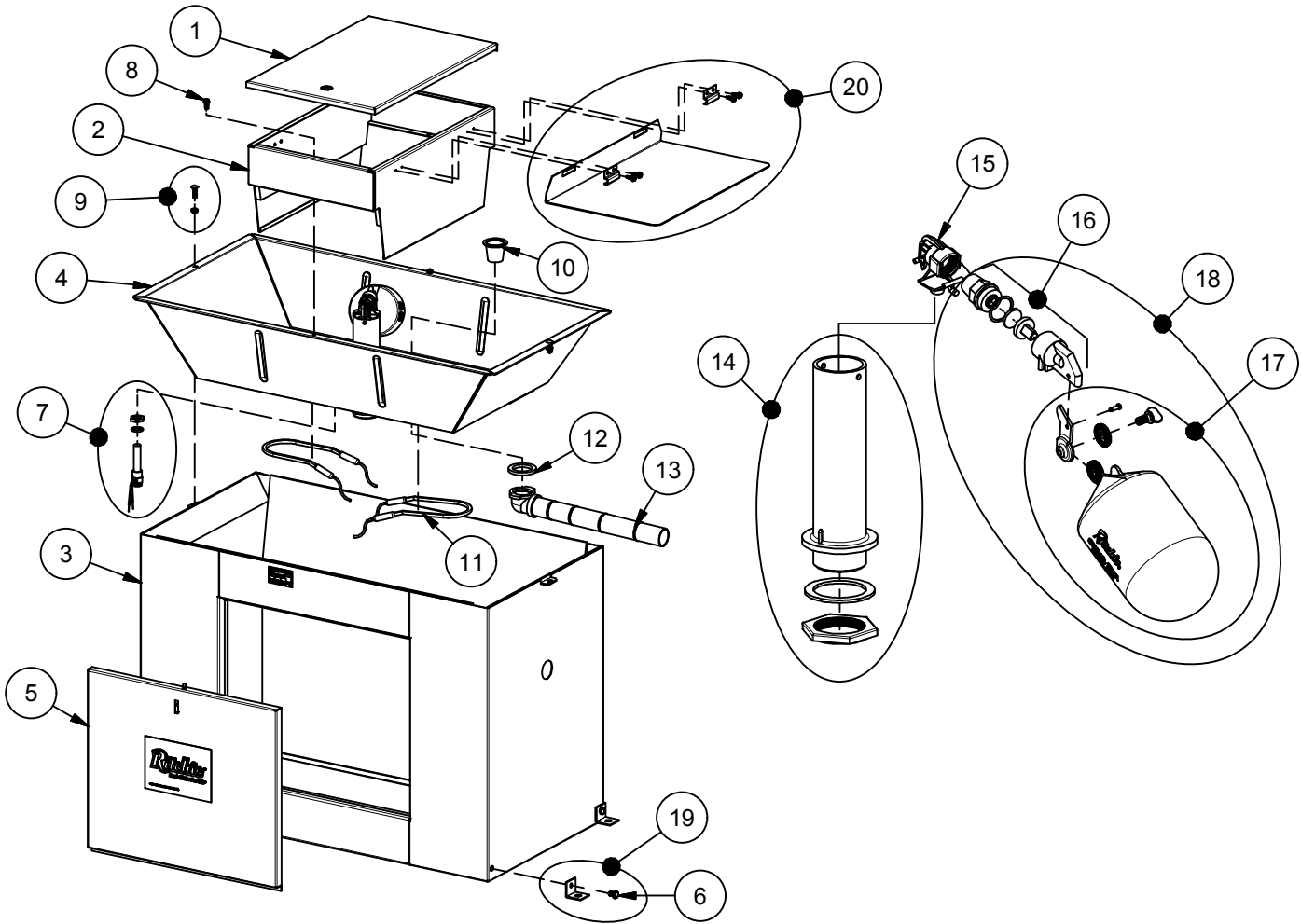
480CF - 18262, 840CF - 18263, 1440CF - 18264



Item	Part #	Description	Qty	Item	Part #	Description	Qty
1	18428	CM Cover	1	11	17679	CM Bulkhead fitting 2"	1
2	18349	CM Frame	1	12	18470	Drain Plug Ritchie 3"	1 pkg
	18350	CM Cover & Frame pkg	1 pkg	13	18318	Bolt Down Washer (4/pkg)	Varies
3		CM Casing (See Heated for Part#)		14	18181	CM Standpipe pkg	1 pkg
4		CM Trough (See Heated for Part #)		15	11514	Valve Bracket 3/4" pkg	1 pkg
5	16621	Access Panel 6"x14"	Varies	16	16891	Red Male Valve w/ Petcock pkg	1 pkg
6	18147	Access Panel Hardware pkg	Varies		11142	Red Male Valve w/o Petcock pkg	1 pkg
7	18316	Fenwal Replacement Plug pkg	1 pkg	17	18314	Float with Hardware pkg	1 pkg
8	18471	Frame Bolt & Wshr SS(4/pkg)	1 pkg		18313	Hardware for Float pkg	1 pkg
9	18265	Trough Bolt & Nut SS (5/pkg)	Varies	18	11973	Petcock Valve pkg	1 pkg
10	12154	Constant Flow Overflow Pipe 2"	1	NS	12583	Cattle Valve Supply Line pkg	1 pkg

#5E Cattle Fountain

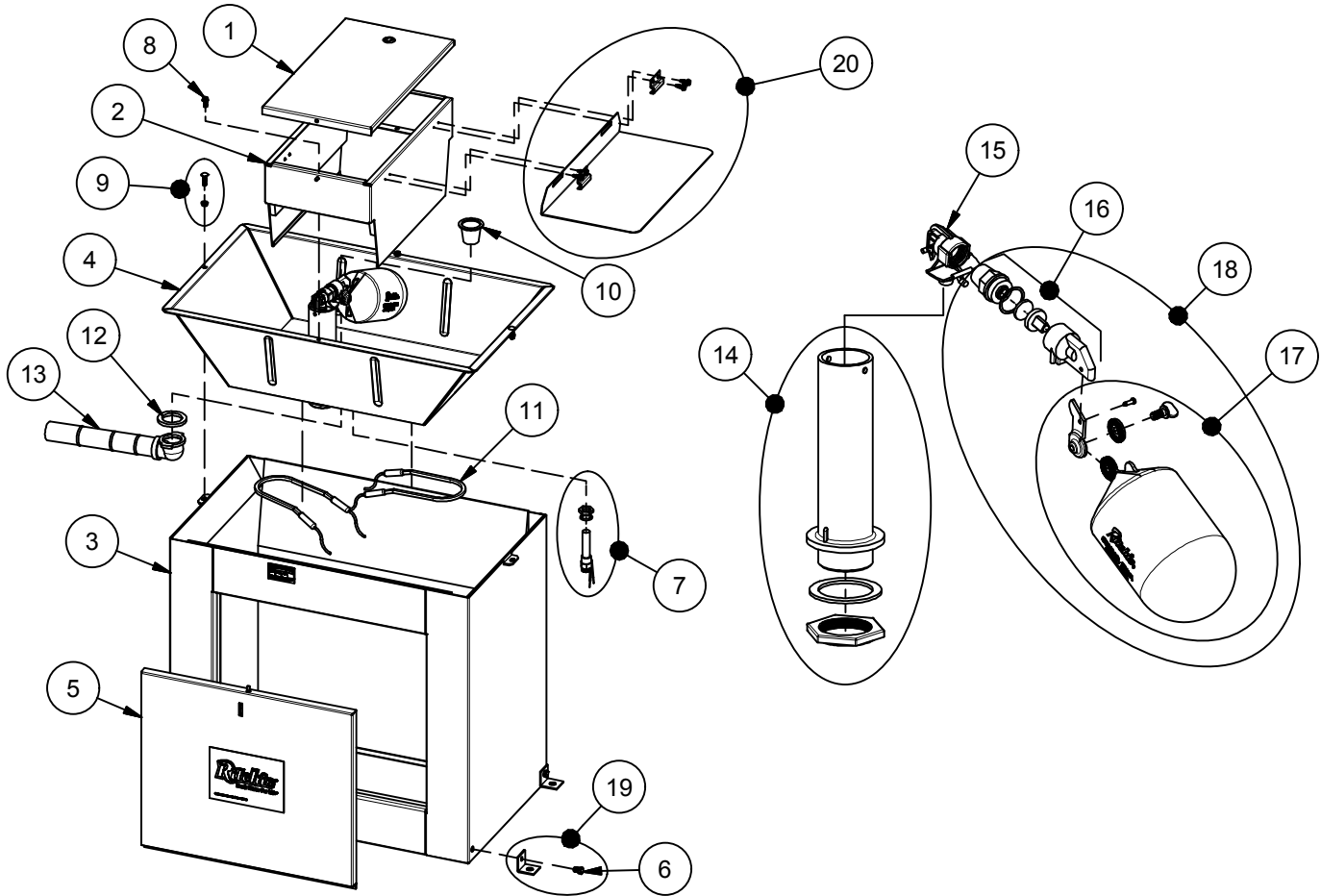
Part # 16745



Item	Part #	Description	Qty	Item	Part #	Description	Qty
1	13374	5E Cover	1	15	11514	Valve Bracket 3/4" pkg	1 pkg
2	16590	5E Frame	1	16	15377	Green Male Valve 3/4" pkg	1 pkg
3	13823	5E Casing Pkg	1 pkg	17	18314	Float with Hardware pkg	1 pkg
4	16746	5E Trough pkg	1 pkg		18313	Hardware for Float pkg	1 pkg
5	11154	Access Pnl 17"x20" Assembled	1	18	16993	Green Valve & Float pkg	1 pkg
6	15299	Bolt 3/8"x1/2" SS (4/pkg)	1 pkg	19	13775	Hold Down Angle SS (4/pkg)	1 pkg
7	16534	Fenwal Thermostat SS pkg	1 pkg	20	16975	Flipper/Hinge (2/pkg) - Optional	1 PKG
	18320	O-Ring Fenwal (6/pkg)	1 pkg	NS	12583	Valve Supply Line pkg	1 pkg
	18074	Nut Brass Fenwal (6/pkg)	1 pkg	NS	13830	Cable Htr 120V 48W (1/pkg)	1 pkg
8	15154	Screw 1/4"x5/8" TC SS (10/pkg)	1 pkg	NS	15632	5E Casing Insulation pkg	1 pkg
9	18114	Trough Bolt & Nut (5/pkg)	1 pkg	NS	13790	5E Frame Inulation pkg	1 pkg
10	18628	Drain Plug (2/pkg)	1 pkg	NS	11107	5E Accessory pkg	1 pkg
11	11419	Heater 120V 250W (1/pkg)	2 pkg				
12	18075	Drain Washer (6/pkg)	1 pkg		16824	5E 240V	
13	11473	Drain Pipe with Elbow	1	NS	11403	Heater 240V 300W (1/pkg)	2 pkg
14	16629	Standpipe pkg	1 pkg	NS	16424	Cable Htr 240V 48W (1/pkg)	1 pkg

#3E Cattle Fountain

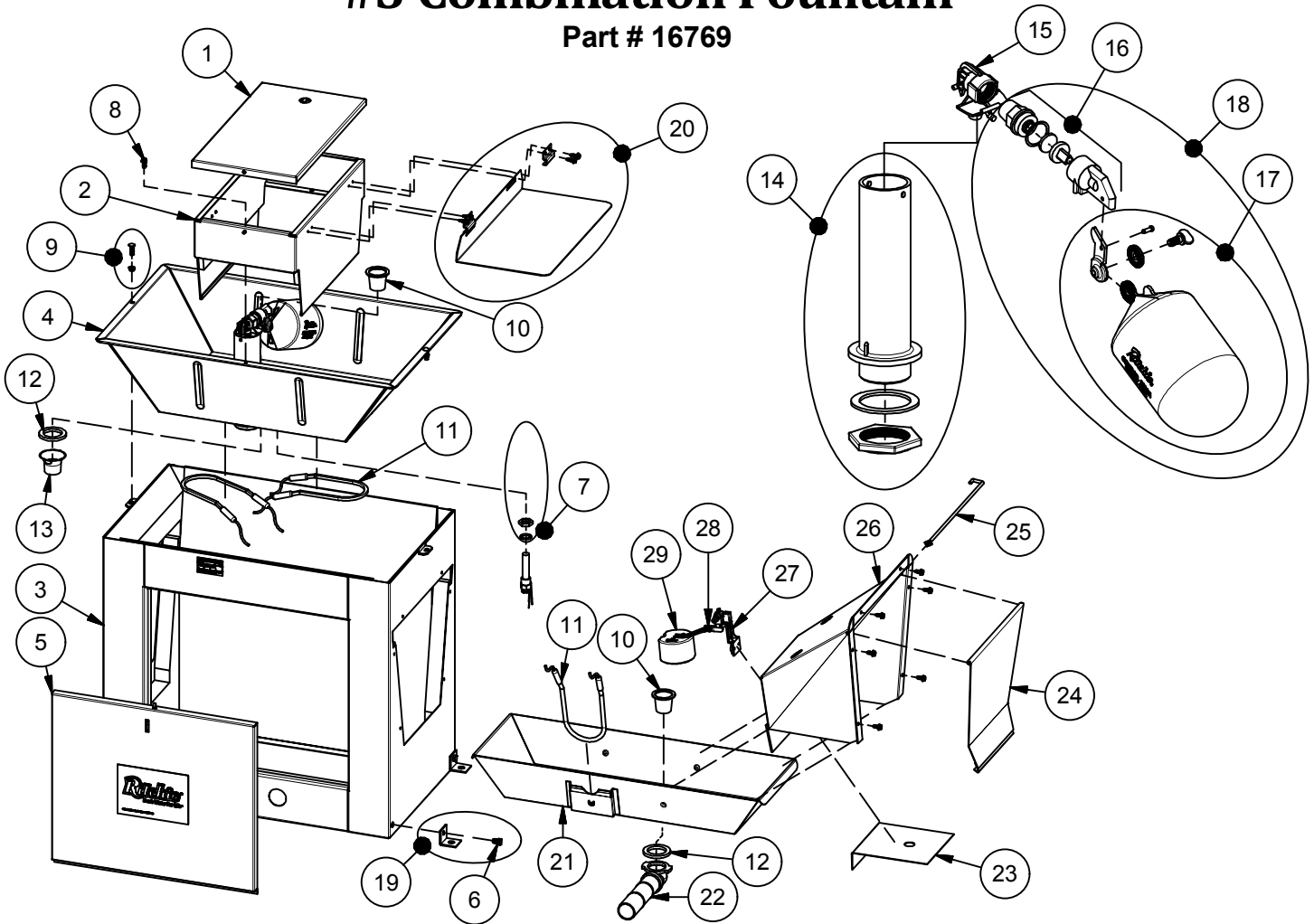
Part # 16743



Item	Part #	Description	Qty	Item	Part #	Description	Qty
1	13373	3E Cover	1	15	11514	Valve Bracket 3/4" pkg	1 pkg
2	16589	3E Frame	1	16	15377	Green Male Valve 3/4" pkg	1 pkg
3	12657	3E Casing Pkg	1 pkg	17	18314	Float with Hardware pkg	1 pkg
4	16744	3E Trough pkg	1 pkg		18313	Hardware for Float pkg	1 pkg
5	11154	Access Pnl 17"x20" Assembled	1	18	16993	Green Valve & Float pkg	1 pkg
6	15299	Bolt 3/8"x1/2" SS (4/pkg)	1 pkg	19	13775	Hold Down Angle SS (4/pkg)	1 pkg
7	16534	Fenwal Thermostat SS pkg	1 pkg	20	16974	Flipper/Hinge (2/pkg) - Optional	1 pkg
	18320	O-Ring Fenwal (6/pkg)	1 pkg	NS	12583	Valve Supply Line pkg	1 pkg
	18074	Nut Brass Fenwal (6/pkg)	1 pkg	NS	13830	Cable Htr 120V 48W (1/pkg)	1 pkg
8	15154	Screw 1/4"x5/8" TC SS (10/pkg)	1 pkg	NS	15634	3E Casing Insulation pkg	1 pkg
9	18114	Trough Bolt & Nut (5/pkg)	1 pkg	NS	13789	3E Frame Inulation pkg	1 pkg
10	18628	Drain Plug (2/pkg)	1 pkg	NS	11107	3E Accessory pkg	1 pkg
11	11419	Heater 120V 250W (1/pkg)	2 pkg		16826	3E 240V	
12	18075	Drain Washer (6/pkg)	1 pkg		11403	Heater 240V 300W (1/pkg)	2 pkg
13	11472	Drain Pipe with Elbow	1	NS	16424	Cable Htr 240V 48W (1/pkg)	1 pkg
14	16629	Standpipe pkg	1 pkg				

#3 Combination Fountain

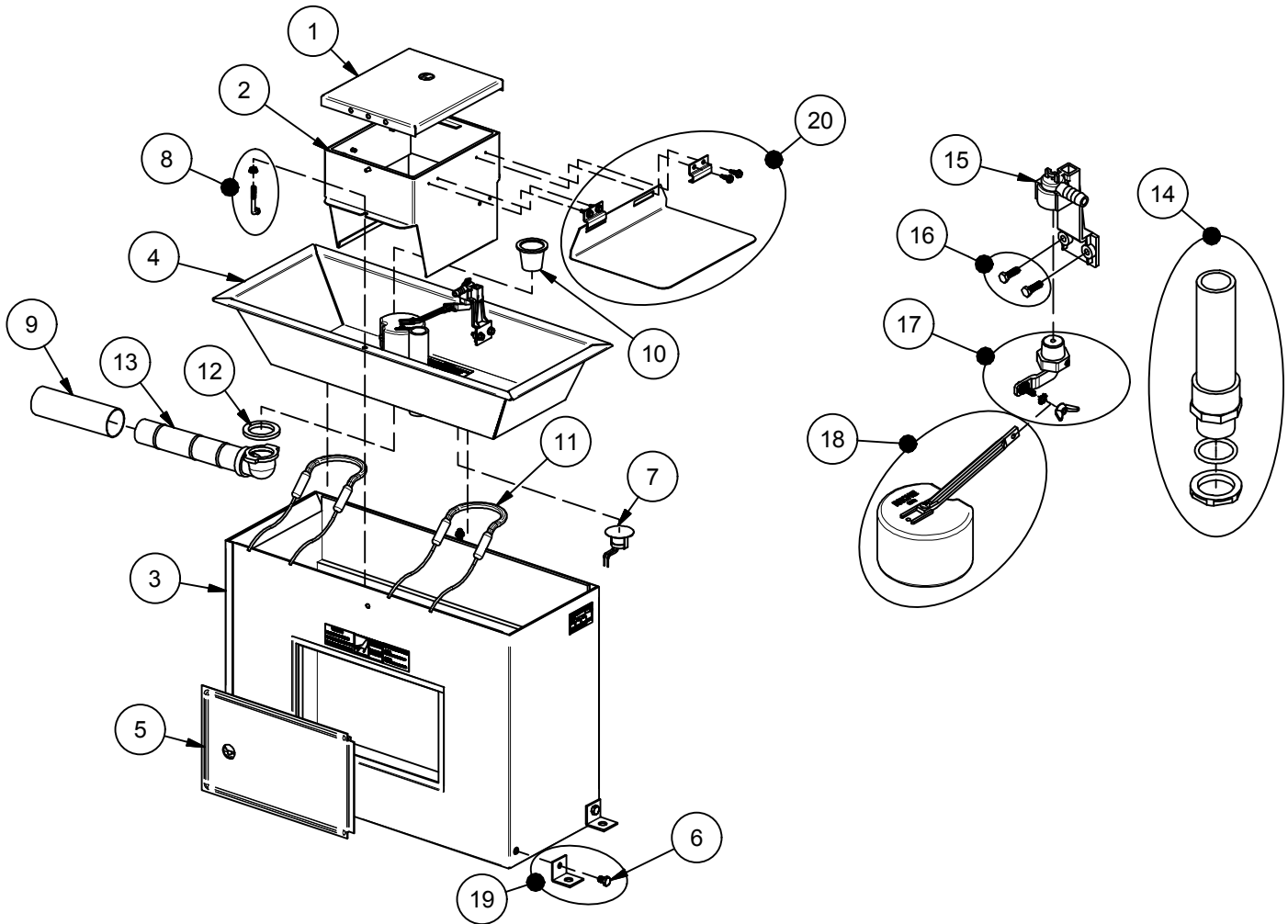
Part # 16769



Item	Part #	Description	Qty	Item	Part #	Description	Qty
1	13373	3C Cover	1	18	16993	Green Valve & Float pkg	1 pkg
2	16589	3C Frame	1	19	13775	Hold Down Angle SS (4/pkg)	1 pkg
3	12656	3C Casing Pkg	1 pkg	20	16974	Flipper/Hinge (2/pkg) - Optional	1 pkg
4	16744	3C Trough pkg	1 pkg	21	16767	3C Lower Trough SS	1
5	11154	Access Pnl 17"x20" Assembled	1	22	11472	Drain Pipe with Elbow	1
6	15299	Bolt 3/8"x1/2" SS (4/pkg)	1 pkg	23	12404	Grate - Clean out	2
7	16534	Fenwal Thermostat SS pkg	1 pkg	24	12801	Swing Door w/Rod	2
	18320	O-Ring Fenwal (6/pkg)	1 pkg	25	13166	Rod with Nut for Swing Door	2
	18074	Nut Brass Fenwal (6/pkg)	1 pkg	26	11118	3C Innerhood	2
8	15154	Screw 1/4"x5/8" TC SS (10/pkg)	1 pkg	27	11515	Valve Bracket 1/2" w/ screws	1 pkg
9	18114	Trough Bolt & Nut (5/pkg)	1 pkg	28	12575	Red Valve 1/2"	1 pkg
10	18628	Drain Plug (2/pkg)	1 pkg	29	13613	Float with Short Arm	1 pkg
11	11419	Heater 120V 250W (1/pkg)	3 pkg	NS	12583	Valve Supply Line pkg	1 pkg
12	18075	Drain Washer (6/pkg)	1 pkg	NS	13830	Cable Htr 120V 48W (1/pkg)	1 pkg
13	18603	Drain Fitting Flared	1	NS	15633	3C Casing Insulation pkg	1 pkg
14	16629	Standpipe pkg	1 pkg	NS	13789	3E Frame Inulation pkg	1 pkg
15	11514	Valve Bracket 3/4" pkg	1 pkg	NS	18326	3C Accessory pkg	1 pkg
16	15377	Green Male Valve 3/4" pkg	1 pkg		16816	3C 240V	
17	18314	Float with Hardware pkg	1 pkg	NS	11403	Heater 240V 300W (1/pkg)	2 pkg
	18313	Hardware for Float pkg	1 pkg	NS	16424	Cable Htr 240V 48W (1/pkg)	1 pkg

2AC

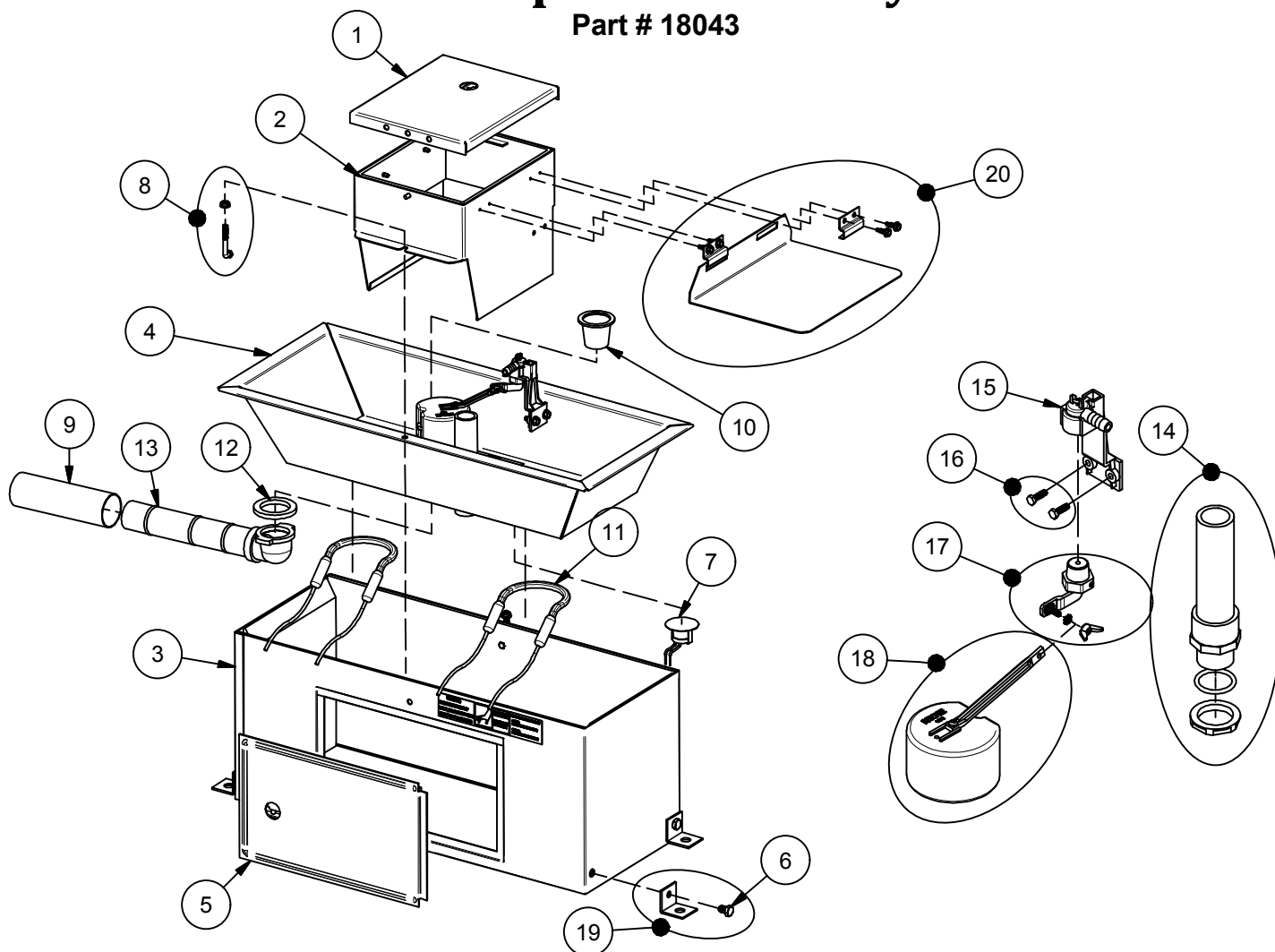
Part # 18033



Item	Part #	Description	Qty	Item	Part #	Description	Qty
1	13379	2AC Cover	1	15	11515	Valve Bracket 1/2" w/ Scrws pkg	1 pkg
2	13449	2AC Frame pkg	1 pkg	16	15154	Screws Valve Bracket (6/ pkg)	1 pkg
3	18035	2AC Casing	1 pkg	17	12575	Red Valve 1/2" pkg	1 pkg
4	18036	2AC Trough	1 pkg	18	13613	Float with Short Arm pkg	1 pkg
5	12140	Access Panel 8" Assembly	1	19	13775	Hold Down Angle SS (4/pkg)	1 pkg
6	15299	Bolt 3/8"x1/2" SS (4/pkg)	1 pkg	20	16973	Flipper/Hinge (2/pkg) - Optional	1 pkg
7	11885	Disc Thermostat pkg	1 pkg	NS	13830	Cable Htr 120V 48W (1/pkg)	1 pkg
8	15158	J-Bolt & Nut ZP (10/pkg)	1 pkg	NS	18323	2AC Accessory pkg	1 pkg
9	17500	Drain Pipe Guard	1	NS	15652	2AC Casing Insulation pkg	1 plg
10	18628	Drain Plug (2/pkg)	1 pkg	NS	13850	2AC Frame Insulation pkg	1 pkg
11	14150	Heater 120V 125W (1/pkg)	2 pkg				
12	18075	Drain Washer (6/pkg)	1 pkg		16839	2AC 240V	
13	11471	Drain Pipe with Elbow	1	NS	16664	Heater 240V 200W (1/pkg)	2 pkg
14	16866	Standpipe pkg	1 pkg	NS	16424	Cable Htr 240V 48W (1/pkg)	1 pkg

2AC Special Assembly

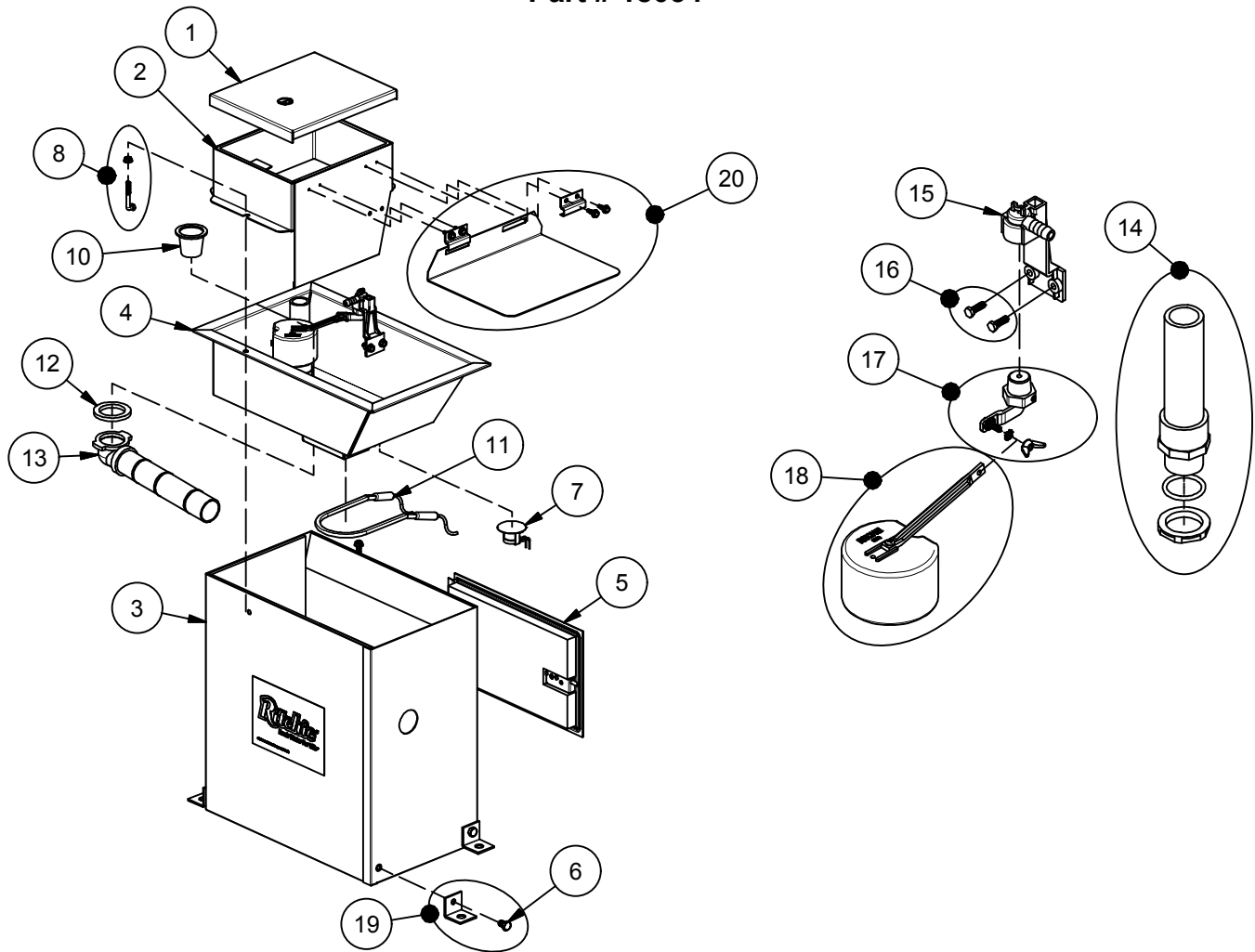
Part # 18043



Item	Part #	Description	Qty	Item	Part #	Description	Qty
1	13379	2AC Cover	1	15	11515	Valve Bracket 1/2" w/ Scrws pkg	1 pkg
2	13449	2AC Frame pkg	1 pkg	16	15154	Screws Valve Bracket (6/ pkg)	1 pkg
3	18058	2AC SP Casing	1 pkg	17	12575	Red Valve 1/2" pkg	1 pkg
4	18036	2AC Trough	1 pkg	18	13613	Float with Short Arm pkg	1 pkg
5	12140	Access Panel 8" Assembly	1	19	13775	Hold Down Angle SS (4/pkg)	1 pkg
6	15299	Bolt 3/8"x1/2" SS (4/pkg)	1 pkg	20	16973	Flipper/Hinge (2/pkg) - Optional	1 pkg
7	11885	Disc Thermostat pkg	1 pkg	NS	13830	Cable Htr 120V 48W (1/pkg)	1 pkg
8	15158	J-Bolt & Nut ZP (10/pkg)	1 pkg	NS	18323	2AC Accessory pkg	1 pkg
9	17500	Drain Pipe Guard	1	NS	18059	2AC SP Casing Insulation pkg	1 plg
10	18628	Drain Plug (2/pkg)	1 pkg	NS	13850	2AC Frame Insulation pkg	1 pkg
11	14150	Heater 120V 125W (1/pkg)	2 pkg				
12	18075	Drain Washer (6/pkg)	1 pkg		18420	2AC Special 240V	
13	11471	Drain Pipe with Elbow	1	NS	16664	Heater 240V 200W (1/pkg)	2 pkg
14	16866	Standpipe pkg	1 pkg	NS	16424	Cable Htr 240V 48W (1/pkg)	1 pkg

1AC

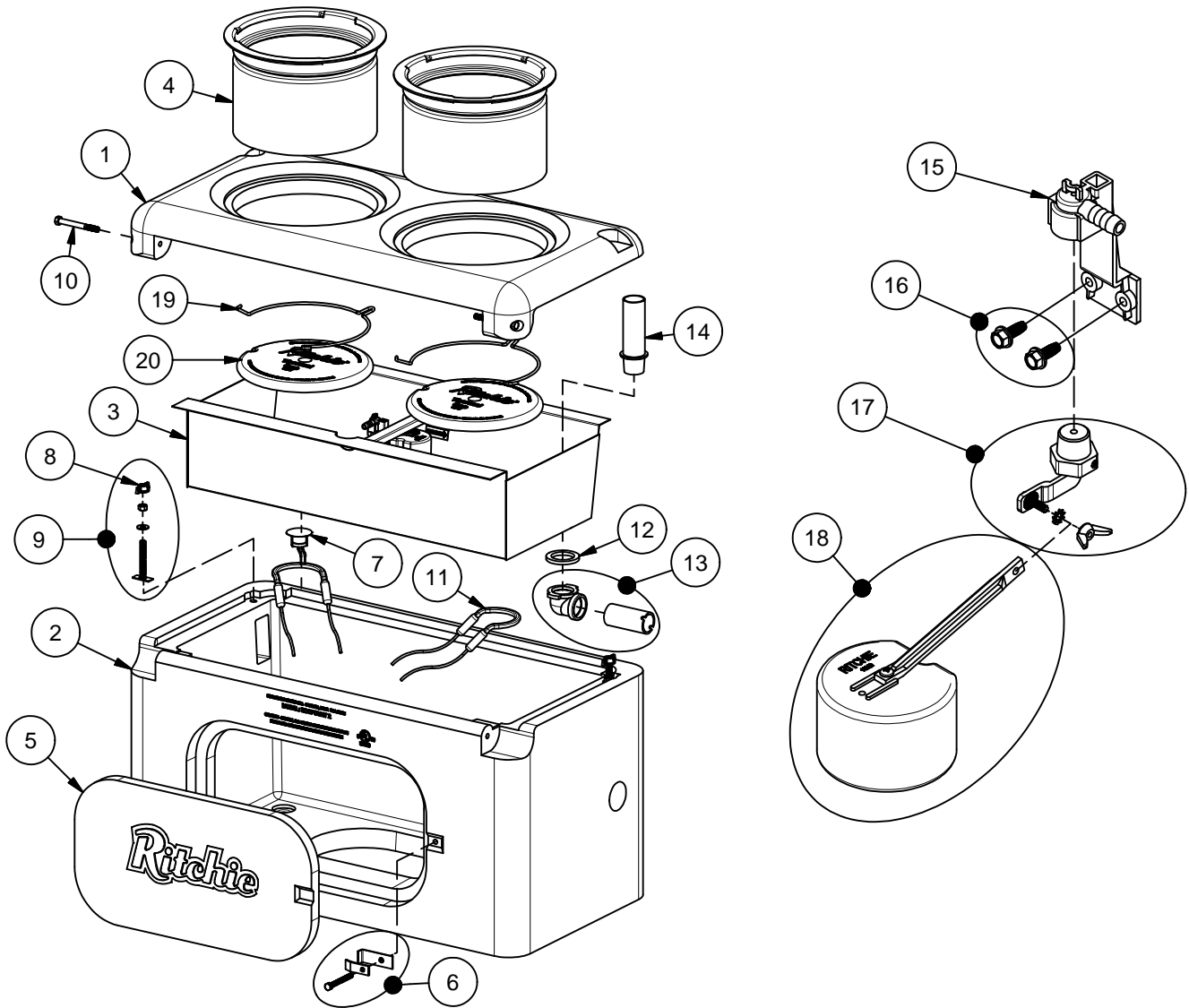
Part # 18034



Item	Part #	Description	Qty	Item	Part #	Description	Qty
1	13379	1AC Cover	1	16	15154	Screws Valve Bracket (6/ pkg)	1 pkg
2	18039	1AC Frame pkg	1 pkg	17	12575	Red Valve 1/2" pkg	1 pkg
3	18037	1AC Casing	1 pkg	18	13613	Float with Short Arm pkg	1 pkg
4	18038	1AC Trough	1 pkg	19	13775	Hold Down Angle SS (4/pkg)	1 pkg
5	12140	Access Panel 8" Assembly	1	20	16973	Flipper/Hinge (2/pkg) - Optional	1 pkg
6	15299	Bolt 3/8"x1/2" SS (4/pkg)	1 pkg	NS	13830	Cable Htr 120V 48W (1/pkg)	1 pkg
7	11885	Disc Thermostat pkg	1 pkg	NS	18323	1AC Accessory pkg	1 pkg
8	15158	J-Bolt & Nut ZP (10/pkg)	1 pkg	NS	15651	1AC Casing Insulation pkg	1 plg
10	18628	Drain Plug (2/pkg)	1 pkg	NS	13850	1AC Frame Insulation pkg	1 pkg
11	11419	Heater 120V 250W (1/pkg)	1 pkg				
12	18075	Drain Washer (6/pkg)	1 pkg		16841	1AC 240V	
13	11471	Drain Pipe with Elbow	1	NS	11403	Heater 240V 300W (1/pkg)	1 pkg
14	16866	Standpipe pkg	1 pkg	NS	16424	Cable Htr 240V 48W (1/pkg)	1 pkg
15	11515	Valve Bracket 1/2" w/ Scrws pkg	1 pkg				

EcoFount 2

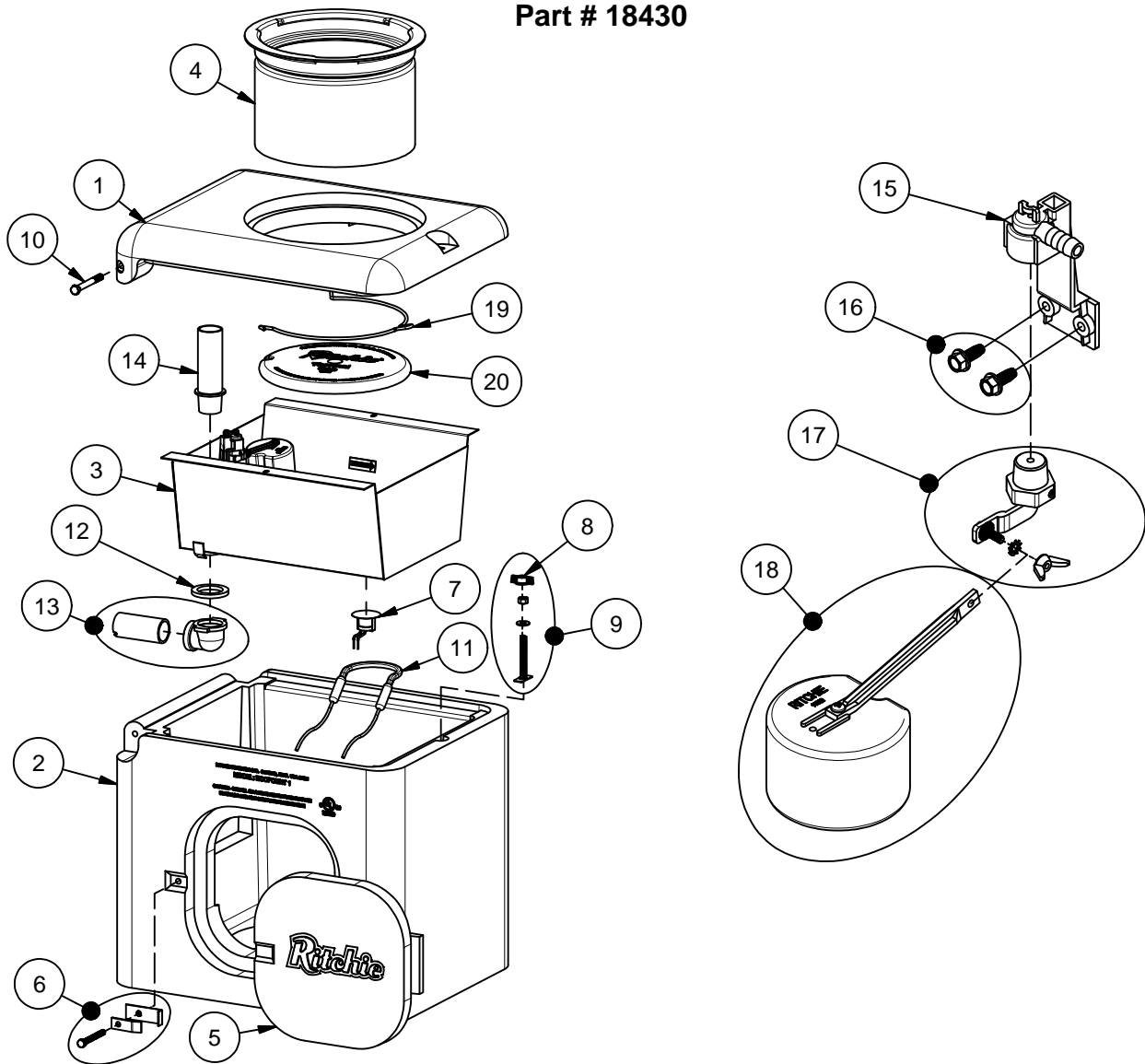
Part # 18440



Item	Part #	Description	Qty	Item	Part #	Description	Qty
1	18444	EcoFount 2 Top	1	15	11515	Valve Bracket 1/2" w/ Scrws pkg	1 pkg
2	18446	EcoFount 2 Casing	1	16	15154	Screws Valve Bracket (10/ pkg)	1 pkg
3	18438	EcoFount 2 Trough	1 pkg	17	12575	Red Valve 1/2" pkg	1 pkg
4	18447	EcoFount Drinkwell W/ Ring pkg	2 pkg	18	12836	Float with Long Arm pkg	1 pkg
5	16562	Access Panel 10" x 20"	1	19	17963	Retaining Ring SS	2
6	18147	Access Panel Hardware pkg	1 pkg	20	14412	Thermal Cap	2
7	11885	Disc Thermostat pkg	1 pkg	NS	18318	Bolt Down Washer (4/pkg)	1 pkg
8	18451	Wing Nut 3/8" Nylon (4/pkg)	1 pkg	NS	13830	Cable Htr 120V 48W (1/pkg)	1 pkg
9	18448	T-Bolt w/ Wingnut 3/8" pkg	2 pkg	NS	18429	EcoFount 2 Accessory pkg	1 pkg
10	18452	Bolt 3/8"x3" SS (2/pkg)	1 pkg	NS	14866	Seal Foam 1/2"x3/4"x10' Roll	1
11	14150	Heater 120V 125W (1/pkg)	2 pkg				
12	18075	Drain Washer (6/pkg)	1 pkg		18441	EcoFount 2 240V	
13	16172	Drain Pipe with Elbow	1	NS	16664	Heater 240V 200W (1/pkg)	2 pkg
14	14647	Drain Plug Overflow	1	NS	16424	Cable Htr 240V 48W (1/pkg)	1 pkg

EcoFount 1

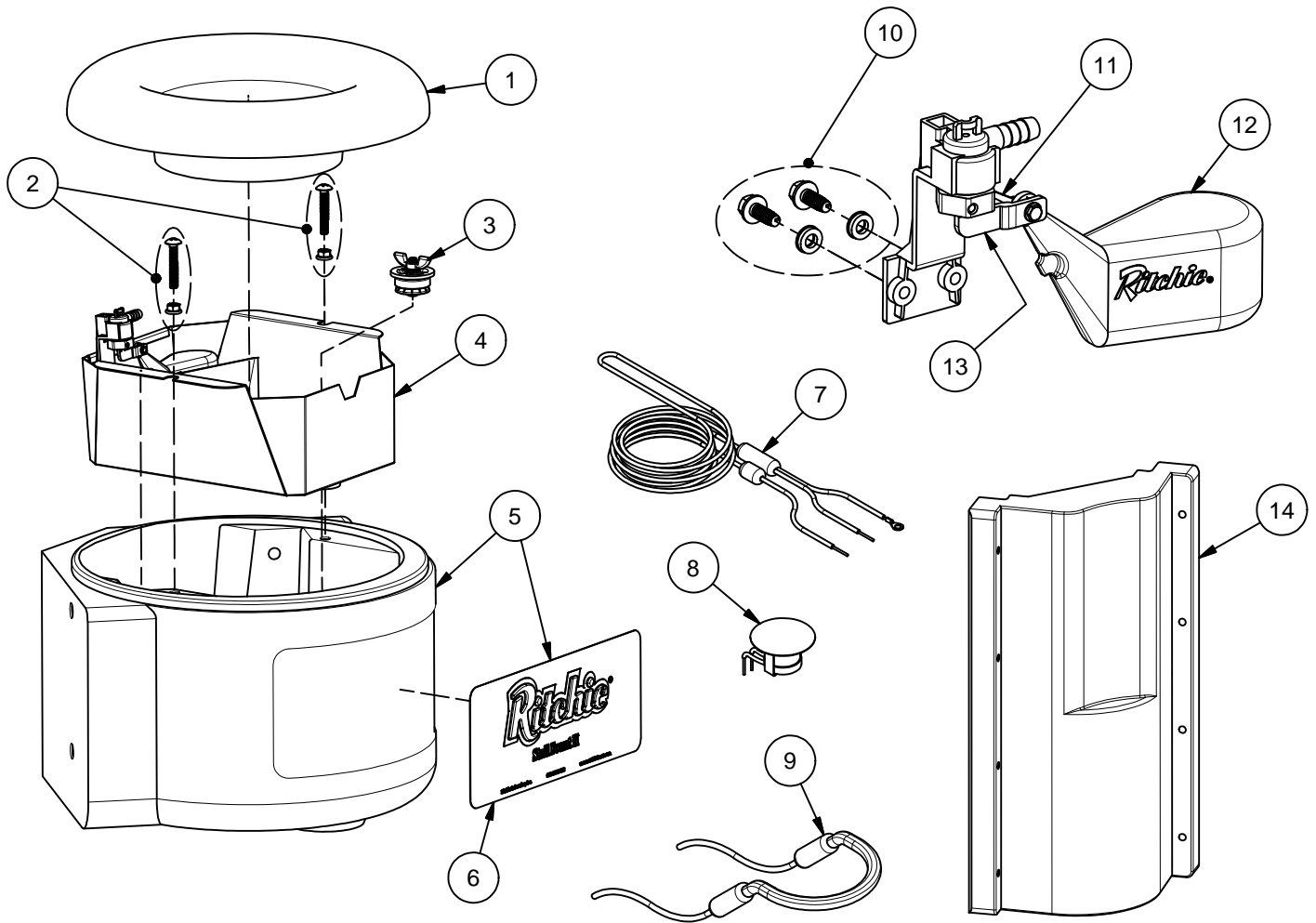
Part # 18430



Item	Part #	Description	Qty	Item	Part #	Description	Qty
1	18434	EcoFount 1 Top	1	15	11515	Valve Bracket 1/2" w/ Scrws pkg	1 pkg
2	18436	EcoFount 1 Casing	1	16	15154	Screws Valve Bracket (10/ pkg)	1 pkg
3	18437	EcoFount 1 Trough	1 pkg	17	12575	Red Valve 1/2" pkg	1 pkg
4	18447	EcoFount Drinkwell W/ Ring pkg	1 pkg	18	12836	Float with Long Arm pkg	1 pkg
5	18370	Access Panel 10" x 10"	1	19	17963	Retaining Ring SS	1
6	18147	Access Panel Hardware pkg	1 pkg	20	14412	Thermal Cap	1
7	11885	Disc Thermostat pkg	1 pkg	NS	18318	Bolt Down Washer (4/pkg)	1 pkg
8	18451	Wing Nut 3/8" Nylon (4/pkg)	1 pkg	NS	13830	Cable Htr 120V 48W (1/pkg)	1 pkg
9	18448	T-Bolt w/ Wingnut 3/8" pkg	1 pkg	NS	18429	EcoFount 1 Accessory pkg	1 pkg
10	18452	Bolt 3/8"x3" SS (2/pkg)	1 pkg	NS	14866	Seal Foam 1/2"x3/4"x10' Roll	1
11	14150	Heater 120V 125W (1/pkg)	1 pkg				
12	18075	Drain Washer (6/pkg)	1 pkg		18431	EcoFount 1 240V	
13	16172	Drain Pipe with Elbow	1	NS	16664	Heater 240V 200W (1/pkg)	1 pkg
14	14647	Drain Plug Overflow	1	NS	16424	Cable Htr 240V 48W (1/pkg)	1 pkg

Stall Fount II - 120V

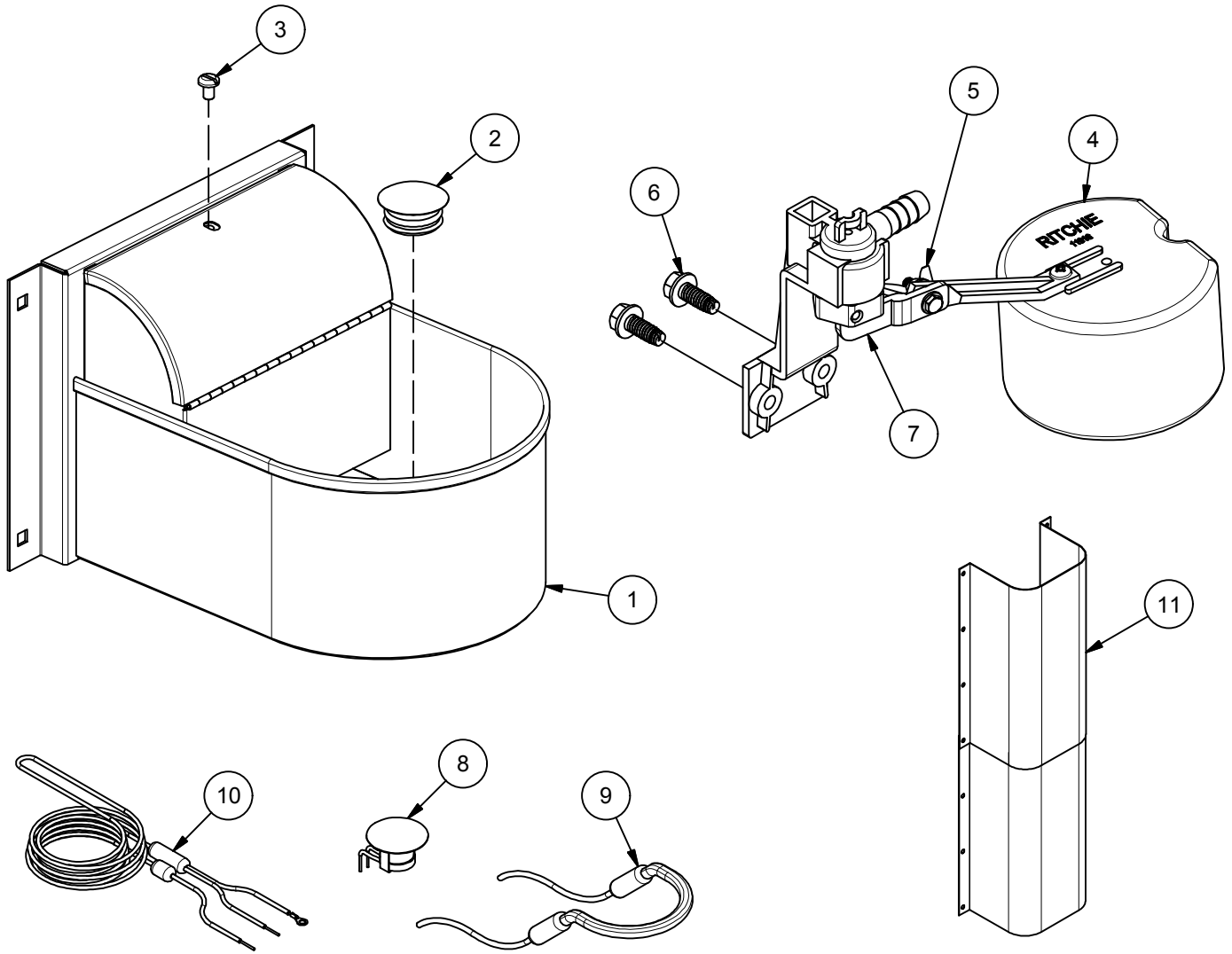
Part # 18480



Item	Part #	Description	Qty	Item	Part #	Description	Qty
1	18486	Cover Complete	1	12	18642	Float	1 pkg.
2	18640	Holddown Screw SFII Pkg	1 pkg.	13	13597	Valve Pkg. Green	1 pkg.
3	18643	Drain Plug 1 1/2" Adj	1	14	18491	Shroud 30"	1
4	18477	Trough (120V/240V)	1	NS	18492	Shroud 20"	1
	18487	Trough (No-Heat)	1	NS	18613	Hose Barb Fitting	1 pkg.
5	18482	Stall Fount II Base	1	NS	15930	Hose Clamp (5/pkg)	1 pkg.
6	18644	Label SFII	1	NS	18488	Complete Accessory Pkg.	1 pkg.
7	13830	Cable Heater 120V 48 Watt	1 pkg.		18490	Stall Fount II - No Heat	
8	11885	Disc Thermostat Pkg.	1 pkg.		18481	Stall Fount II - 240V	
9	14150	Heater 120V 125 Watt	1 pkg.	NS	16664	Heater 240V 200 Watt	1 pkg.
10	18641	Valve Bracket & Screws SF2	1 pkg.	NS	16424	Cable Heater 240V 48 Watt	1 pkg.
11	12576	Wing Nut & Screw	1 pkg.				

StallFount 125

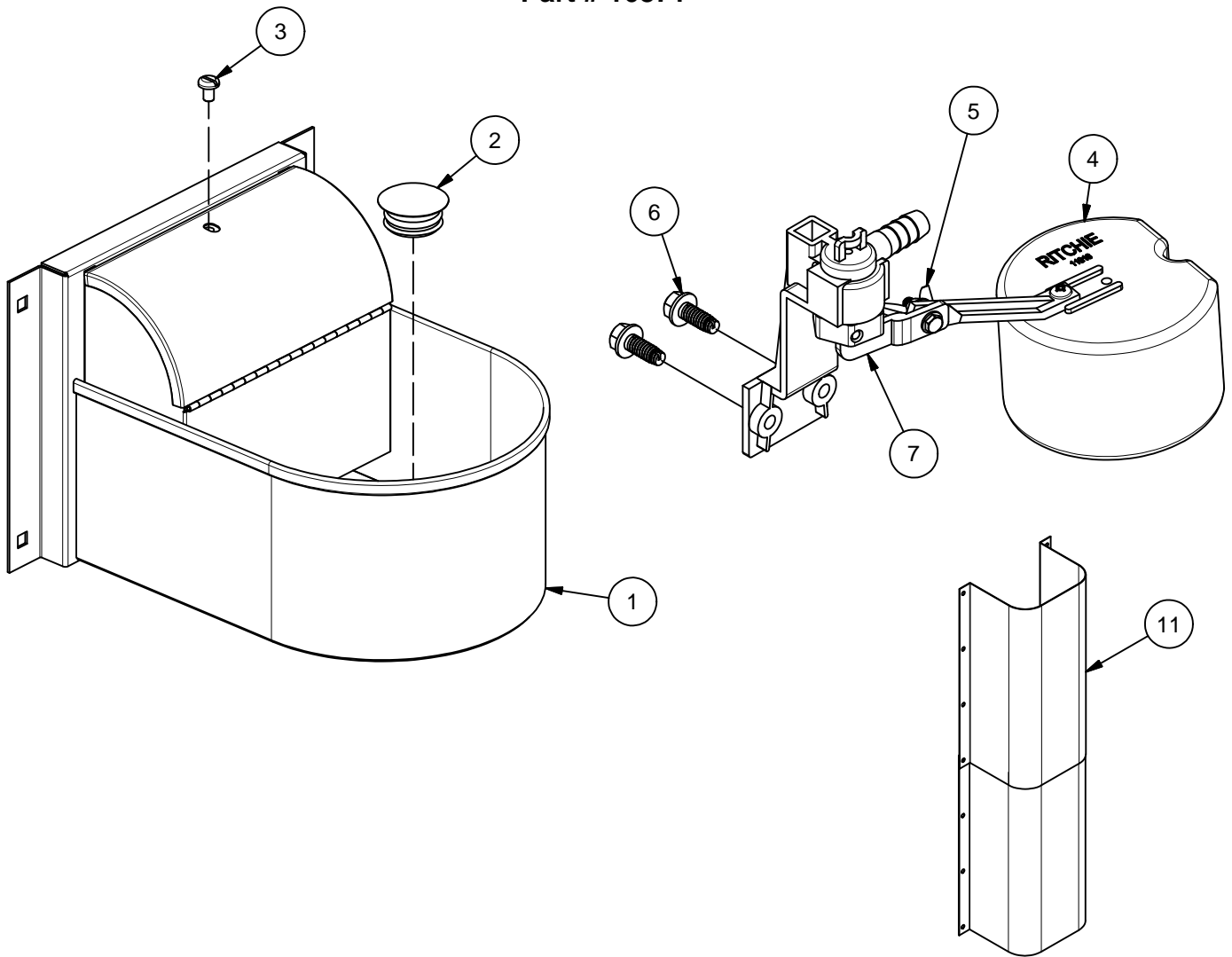
Part # 18082



Item	Part #	Description	Qty	Item	Part #	Description	Qty
1	18083	SF Trough Complete	1	8	11885	Disc Thermostat pkg	1 pkg
2	18221	SF Trough Plug	1	9	14150	Heater 120V 125W pkg	1 pkg
3	18080	SF Cover Screw	1 pkg	10	13830	Cable Heater 120V 48W pkg	1 pkg
4	13613	Float with Short Arm pkg	1 pkg	11	18092	Shroud Set	1 pkg
5	12576	Screw, Star Wshr & Wingnut pkg	1 pkg	NS	18613	Adapter 1/2" x 3/8" HB	1 pkg
6	11515	Valve Bracket w/ screw pkg	1 pkg	NS	15930	Hose Clamp 7/8" SS (5/pkg)	1 pkg
7	13597	Green Valve 1/2" pkg	1 pkg	NS	18228	SF Accessory pkg	1 pkg

StallFount

Part # 16871



Item	Part #	Description	Qty	Item	Part #	Description	Qty
1	16877	SF Trough Complete	1	6	11515	Valve Bracket w/ screw pkg	1 pkg
2	18221	SF Trough Plug	1	7	13597	Green Valve 1/2" pkg	1 pkg
3	18080	SF Cover Screw	1 pkg	8	18092	Shroud Set Optional.	1 pkg
4	13613	Float with Short Arm pkg	1 pkg	NS	15930	Hose Clamp 7/8" SS (5/pkg)	1 pkg
5	12576	Screw, Star Wshr & Wingnut pkg	1 pkg	NS	18325	SF Accessory pkg	1 pkg

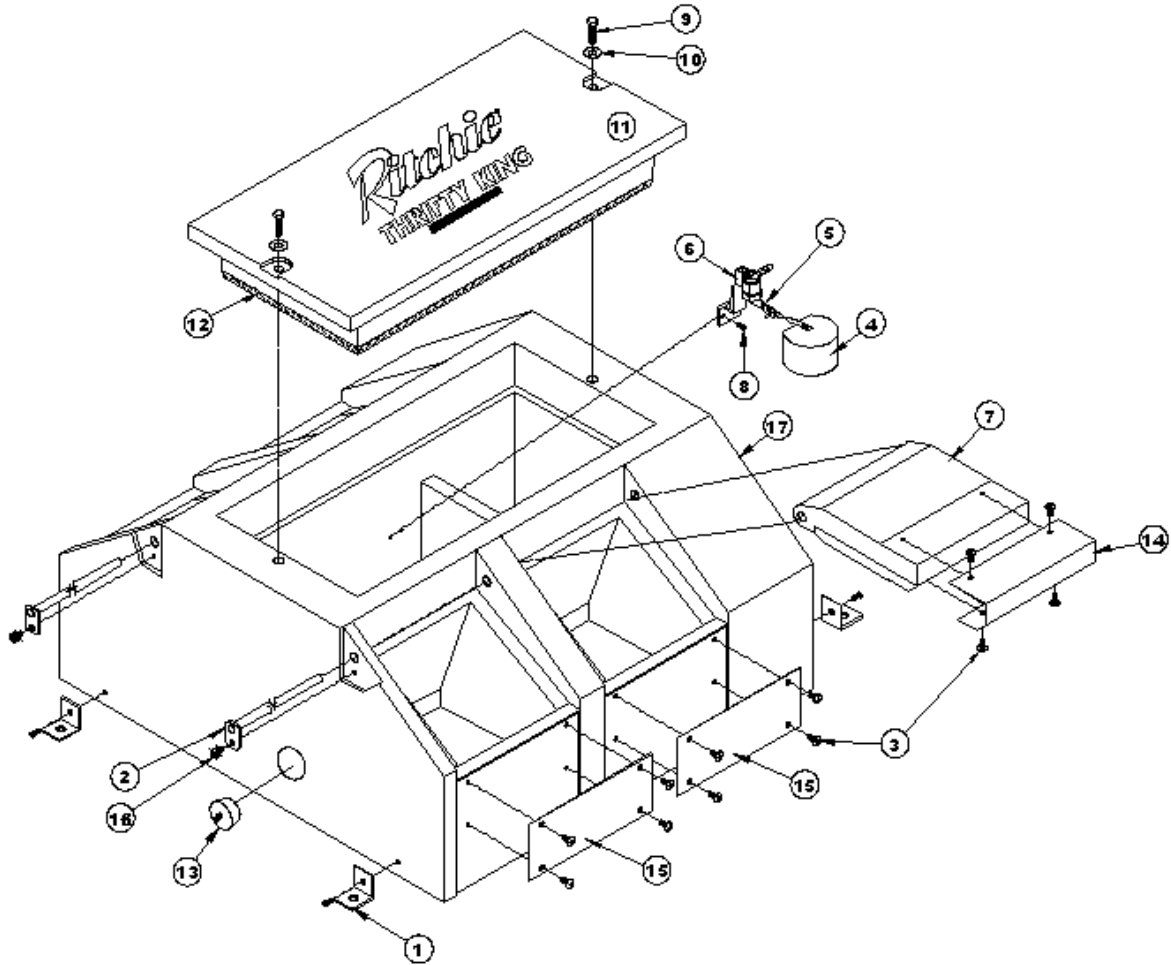
Installation Variations

A stainless steel shroud may be purchased to protect the waterline between the floor and the Ritchie Stall Fount. Part number 18092 includes two sections of shroud, 19 ³/₄ inches long. This part is not required for the non-electric Stall Fount.

Installing the shroud - After the plumbing connections are made, install the optional shroud using 1/4" lag screws or bolts. When more than one section of shroud is used, the total length of the shroud can be adjusted in 6" increments by removing insulation as needed and moving top shroud down to align next set of holes.

Thrifty King for Swine HG4

Part # 16260



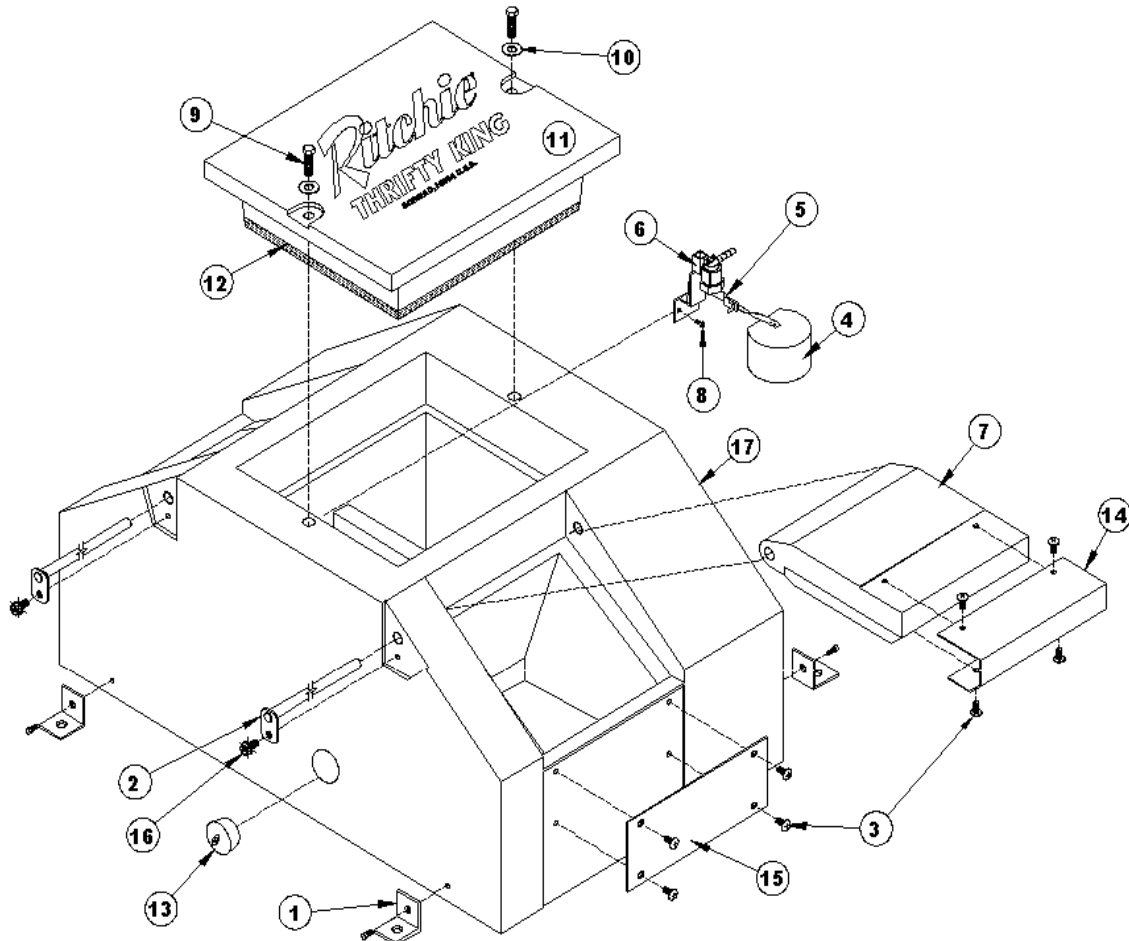
Item	Part #	Description	Qty	Item	Part #	Description	Qty
1	13775	SS Hold Down Angles. (4/Pkg)	1 Pkg.	12	14866	Weather Stripping 10' Roll	2
2	16325	Hinge Rod – TKHG4	2	13	18219	Drain #11 Plug Pkg.	1 Pkg.
3	18071	¼-20 x ½ Truss Head Screw 6/Pkg.	1 Pkg.	14	16264	Guard – Lid TK Hog	4
4	13613	Float W/ Short Arm	1 Pkg.	15	16265	Guard – Base Hog	4
5	12575	½" Red Valve Pkg.	1 Pkg.	16	15155	¼-20 x ½ Hex Head Screw 10/Pkg.	1 Pkg.
6	11515	½" Valve Bracket Pkg.	1 Pkg.	17	16579	Foamed HG4 Base	1
7	16266	Lifting Lid-TKHG W/Guard	4	NS	15930	3/8" Hose Clamp Pkg. SS	1 Pkg.
8	18066	10-24 x ¾ Hex Head Screw SS 6/Pkg.	1 Pkg.	NS	12420	Hose – 3/8" x 25 ft	1
9	18069	3/8-16 x 1-1/4 Bolt SS 6/Pkg.	1 Pkg.	NS	14859	Pipe Insulation TK	1
10	18073	3/8" Flat Washer SS 6/Pkg.	1 Pkg.	NS	16263	Complete Accessory Pkg.	1 Pkg.
11	16268	Access Cover TKHG 4 W/Seal	1	NS	<i>14261</i>	<i>3/8" Anchor Bolt SS-Not Included</i>	<i>2Pkg.</i>

NS = Not Shown

Italicized text = Not Included or optional configuration add-ons

Thrifty King for Swine HG2

Part # 16259



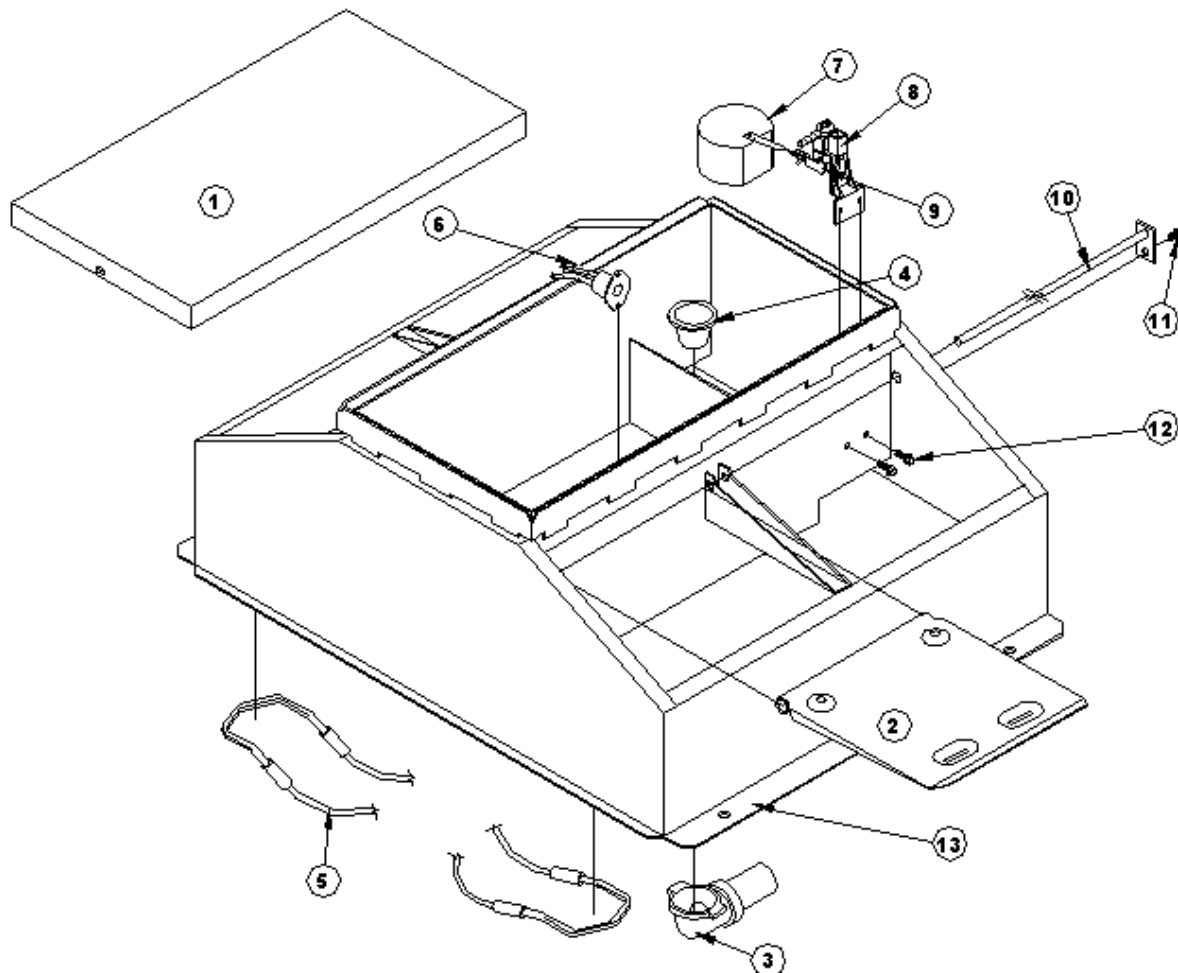
Item	Part #	Description	Qty	Item	Part #	Description	Qty
1	13775	SS Hold Down Angles. (4/Pkg)	1 Pkg.	12	14866	Weather Stripping 10 ft Roll	1
2	16324	Hinge Rod – TKHG2	2	13	18219	Drain #11 Plug Pkg.	1 Pkg.
3	18071	¼-20 x ½ Truss Head Screw 6/Pkg.	1 Pkg.	14	16264	Guard – Lid TK Hog	2
4	13613	Float W/ Short Arm	1 Pkg.	15	16265	Guard – Base TK Hog	2
5	12575	½" Red Valve Pkg.	1 Pkg.	16	15155	¼-20 x ½ Hex Head Screw 10/Pkg.	1 Pkg.
6	11515	½" Valve Bracket Pkg.	1 Pkg.	17	16577	Foamed Base	1
7	16266	Lifting Lid-TKHG W/Guard	2	NS	15930	3/8" Hose Clamp Pkg. SS	1 Pkg.
8	18066	10-24 x ¾ Hex Head Screw SS 6/Pkg.	1 Pkg.	NS	12420	Hose – 3/8" x 25 ft	1
9	18069	3/8"-16 x 1-1/4 Bolt SS 6/Pkg.	1 Pkg.	NS	14859	Pipe Insulation TK	1
10	18073	3/8" Flat Washer SS 6/Pkg.	1 Pkg.	NS	16263	Complete Accessory Pkg.	1 Pkg.
11	16267	Access Cover TKHG2 W/Seal	1	NS	<i>14261</i>	<i>3/8" Anchor Bolt SS-Not Included</i>	<i>2Pkg.</i>

NS = Not Shown

Italicized text = Not Included or optional configuration add-ons

Pork King 4

Part # 16459



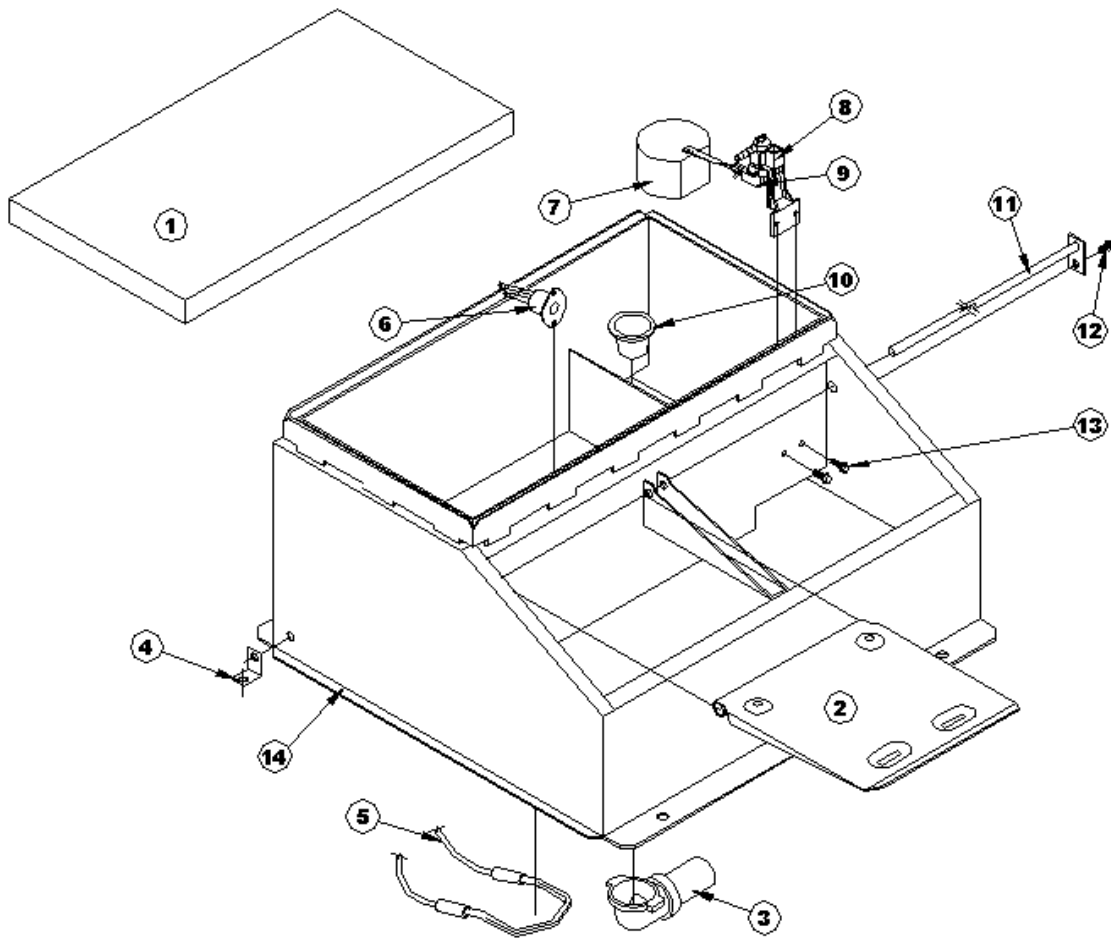
Item	Part #	Description	Qty	Item	Part #	Description	Qty
1	16451	Cover – PK 4	1	12	15154	Screw – Valve Bracket (10/Pkg.)	1 Pkg.
2	16092	Lifting Lid Only PK	4	13	16576	Casing W/Insulation	1
3	16172	Drain W/Elbow	1	NS	16366	Insulation Pkg.	1 Pkg.
4	18628	Drain Plug (2/Pkg.)	1 Pkg.	NS	13830	48W Cable Heater (120 Volt)	1 Pkg.
5	14150	125W Element (120 Volt)	4 Pkg.	NS	12584	Supply Hose Assembly	1 Pkg.
6	11885	Disc Thermostat – Red	1 Pkg.	NS	18075	Drain Washers (6/Pkg.)	1 Pkg.
7	13613	Float W/ Short Arm	1 Pkg.	NS	16128	Complete Accessory Pkg.	1 Pkg.
8	11515	Valve Bracket 1/2" Pkg.	1 Pkg.	For 240 Volt Pork King 4 Part #16845, See Parts Below			
9	12575	Red Valve 1/2" Pkg.	1 Pkg.				
10	16326	Hinge Rod Only PK4	2	NS	16664	200W Element (240 Volt)	4 Pkg.
11	15155	Screw – Hinge Rod (10/Pkg.)	1 Pkg.	NS	16424	48W Cable Heater (240 Volt)	1 Pkg.

NS = Not Shown

Italicized text = Not included or optional configuration add-ons

Pork King 2-1

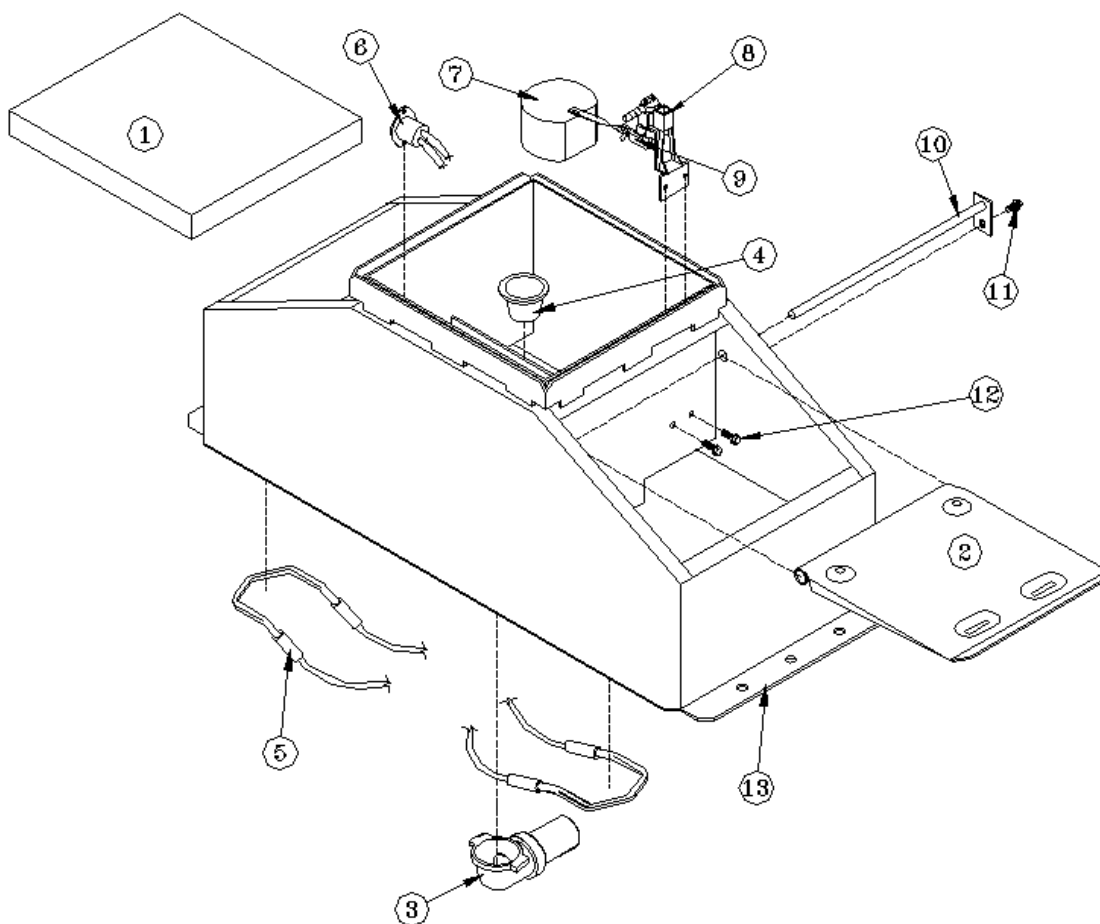
Part # 16458



Item	Part #	Description	Qty	Item	Part #	Description	Qty
1	16451	Cover – PK 2-1	1	12	15155	Screw Hinge Rod (10/Pkg.)	1 Pkg.
2	16092	Lifting Lid Only – PK	2	13	15154	Screw – Valve Bracket (10/Pkg.)	1 Pkg.
3	16172	Drain W/Elbow	1	14	16575	Casing W/Insulation	1
4	13775	SS Hold Down W/Bolt (4/Pkg.)	1 Pkg.	NS	16365	Insulation Pkg.	1 Pkg.
5	14150	125 W Element (120 Volt)	2 Pkg.	NS	13830	48W Cable Heater (120 Volt)	1 Pkg.
6	11885	Disc Thermostat – Red	1 Pkg.	NS	12584	Supply Hose Assembly	1 Pkg.
7	13613	Float W/ Short Arm	1 Pkg.	NS	18075	Drain Washers (6/Pkg.)	1 Pkg.
8	11515	½” Valve Bracket Pkg.	1 Pkg.	NS	16123	Complete Accessory Pkg.	1 Pkg.
9	12575	½” Red Valve Pkg.	1 Pkg.	For 240 Volt Pork King 2-1 Part #16846, See Parts Below			
10	18628	Drain Plug (2/Pkg.)	1 Pkg.	NS	16664	200W Element (240 Volt)	2 Pkg.
11	16326	Hinge Rod Only PK 2-1	1	NS	16424	48W Cable Heater (240 Volt)	1 Pkg.

Pork King 2

Part # 16457

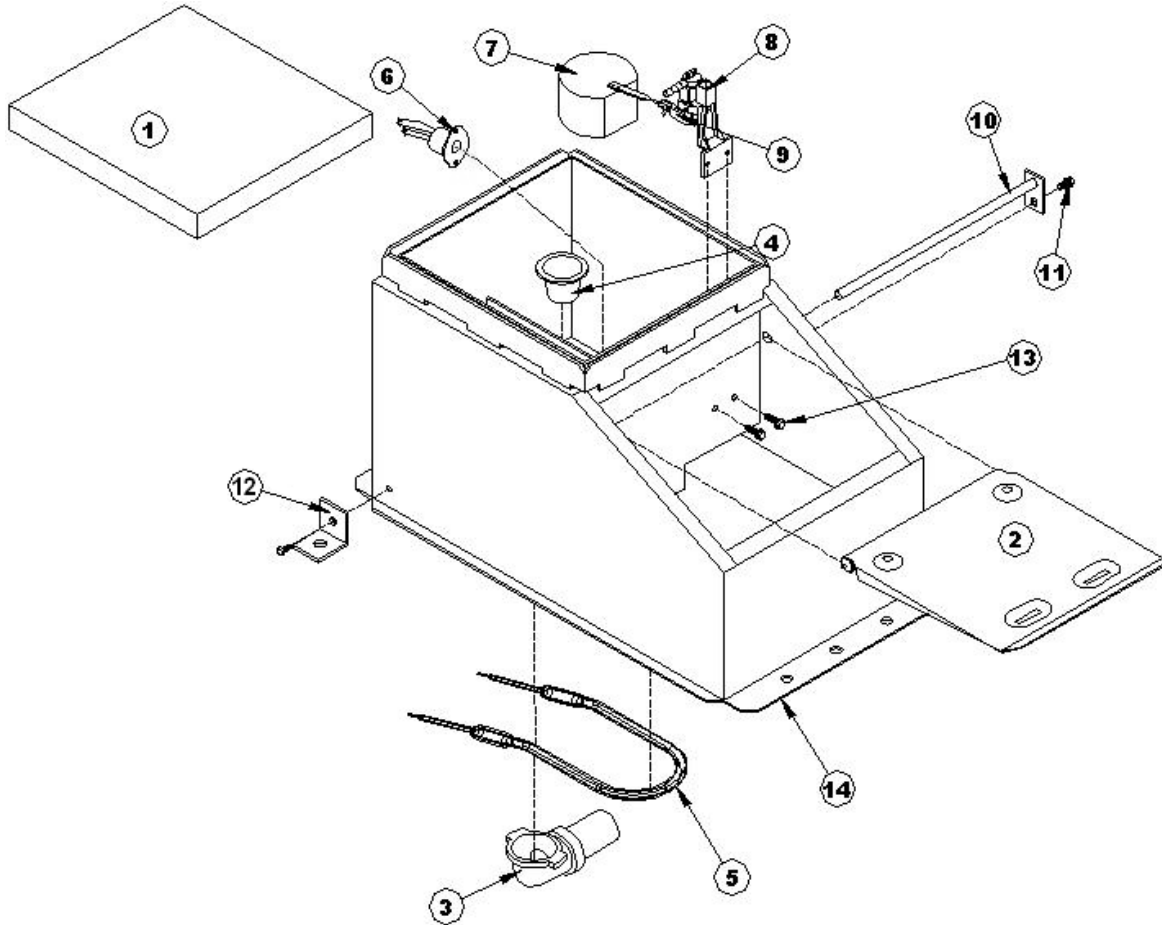


Item	Part #	Description	Qty	Item	Part #	Description	Qty
1	16449	Cover – PK2	1	12	15154	Screw – Valve Bracket (10/Pkg.)	1 Pkg.
2	16092	Lifting Lid Only – PK	2	13	16574	Casing W/Insulation	1
3	16172	Drain W/Elbow	1	NS	16364	Insulation Pkg.	1 Pkg.
4	18628	Drain Plug (2/Pkg.)	1 Pkg.	NS	13830	48W Cable heater (120 Volt)	1 Pkg.
5	14150	125 W Element (120 Volt)	2 Pkg.	NS	12584	Supply Hose Assembly	1 Pkg.
6	11885	Disc Thermostat – Red	1 Pkg.	NS	18075	Drain Washers (6/Pkg.)	1 Pkg.
7	13613	Float W/ Short Arm	1 Pkg.	NS	16128	Complete Accessory Pkg.	1 Pkg.
8	11515	½” Valve Bracket Pkg.	1 Pkg.	For 240 Volt Pork King 2 Part #16847, See Parts Below			
9	12575	½” Red Valve Pkg.	1 Pkg.				
10	16093	Hinge Rod Only – PK2	2	NS	16664	200W Element (240 Volt)	2 Pkg.
11	15155	Screw – Hinge Rod (10/Pkg.)	1 Pkg.	NS	16424	48W Cable Heater (240 Volt)	1 Pkg.

NS= Not Shown *Italicized text = Not included or optional configuration add-ons*

Pork King 1

Part # 16456



Item	Part #	Description	Qty	Item	Part #	Description	Qty
1	16449	Cover – PK1	1	12	13775	SS Hold Down W/Bolt (4/Pkg.)	1 Pkg.
2	16092	Lifting Lid Only – PK	1	13	15154	Screw – Valve Bracket (10 Pkg.)	1 Pkg.
3	16172	Drain W/Elbow	1	14	16573	Casing W/Insulation	1
4	18628	Drain Plug (2/Pkg.)	1 Pkg.	NS	16363	Insulation Pkg.	1 Pkg.
5	11419	250W Element (120 Volt)	1 Pkg.	NS	12584	Supply Hose Assembly	1 Pkg.
6	11885	Disc Thermostat – Red	1 Pkg.	NS	18075	Drain Washers (6/Pkg.)	1 Pkg.
7	13613	Float W/ Short Arm	1 Pkg.	NS	16123	Complete Accessory Pkg..	1 Pkg.
8	11515	½" Valve Bracket Pkg.	1 Pkg.	For 240 Volt Pork King 1 Part #16848, See Parts Below			
9	12575	½" Red Valve Pkg.	1 Pkg.	NS	11403	300W Element (240 Volt)	1 Pkg.
10	16093	Hinge Rod Only – PK1	1	NS	16424	48W Cable Heater (240 Volt)	1 Pkg.
11	15155	Screw – Hinge Rod (10/Pkg.)	1 Pkg.				

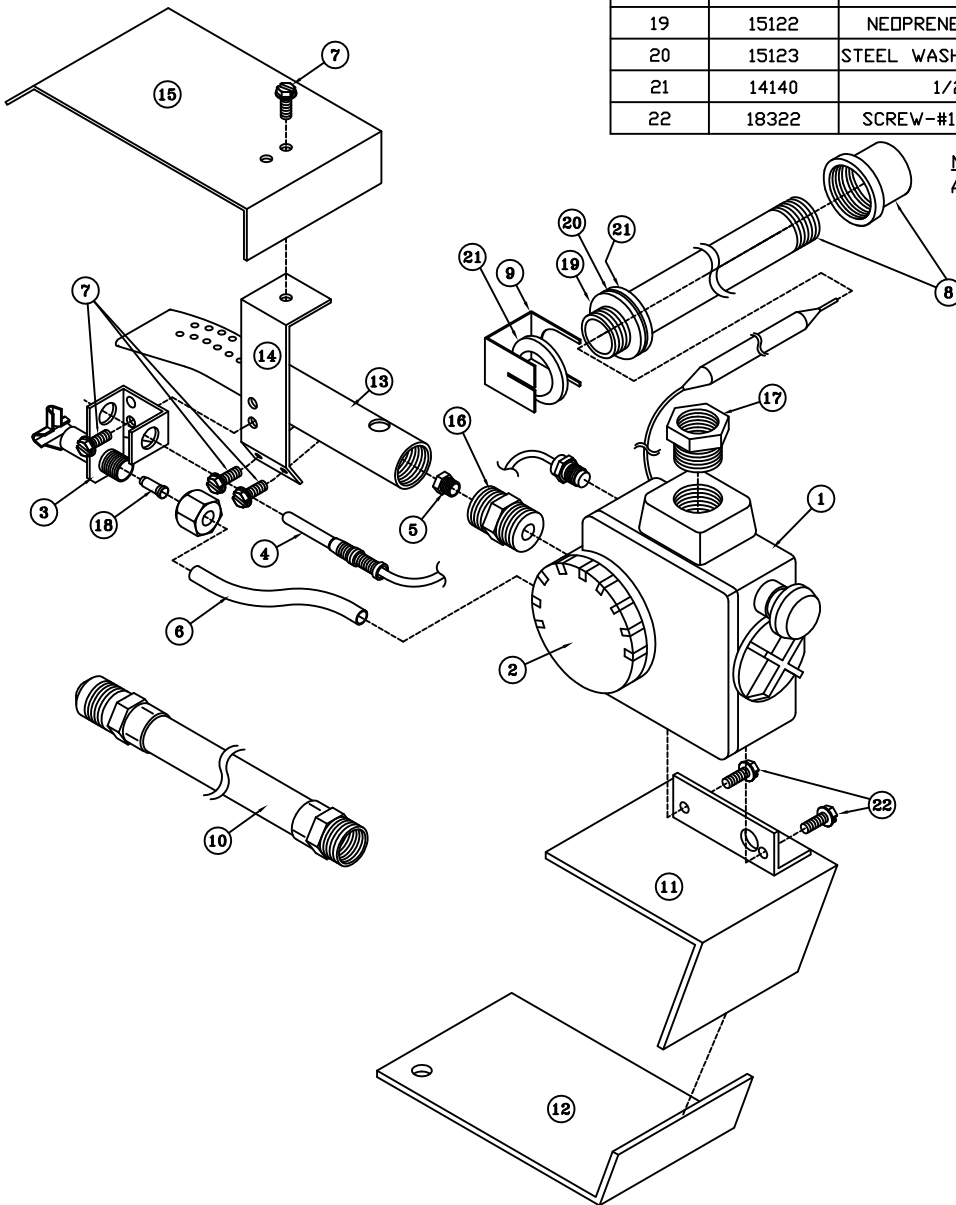
NS = Not Shown

Italicized text = Not included or optional configuration add-ons

GAS BURNER ASSEMBLY (15424)

INTRODUCED NOV. 1986

ITEM	PART NO.	DESCRIPTION	QTY
1	11869	110SS ROB-SHAW GAS VLV & THERM	1
2	15130	TEMP DIAL FOR 110SS Pkg	1 Pkg
3	14443	BRACKET AND PILOT ASSY	1
4	11797	THERMOCOUPLE 12"	1
5	14486	BURNER ORFICE LP AG82	1
6	15064	PILOT TUBE AG82	1
7	18321	SCREW 8-32 X 3/8 HH ZP 4/Pkg.	1 Pkg.
8	16980	PKG-PIPE NIPPLE AND CAP	1
9	18017	BRKT - THERMOSTAT TUBE	1
10	13988	BURNER HOSE ASSEMBLY 18"	1
11	15441	BASE-GAS BURNER	1
12	15442	STAND-GAS BURNER	1
13	15443	BURNER-GAS BURNER	1
14	15444	PILOT BRACKET-GAS BURNER	1
15	15445	COVER SHIELD-GAS BURNER	1
16	14487	ADPT 3/8-18 NPS X 11/16 BRASS	1
17	14495	BUSHING 3/8 X 1/2 STEEL	1
18	14200	.010 LP ORFICE PILOT	1
19	15122	NEOPRENE WASHER 3/4" 5/Pkg.	1 Pkg.
20	15123	STEEL WASHER 1 3/8 X 7/8 X .028	1
21	14140	1/2" CONDUIT NUT	1
22	18322	SCREW-#10-24 X 3/8 ZP 4/Pkg.	1 Pkg.

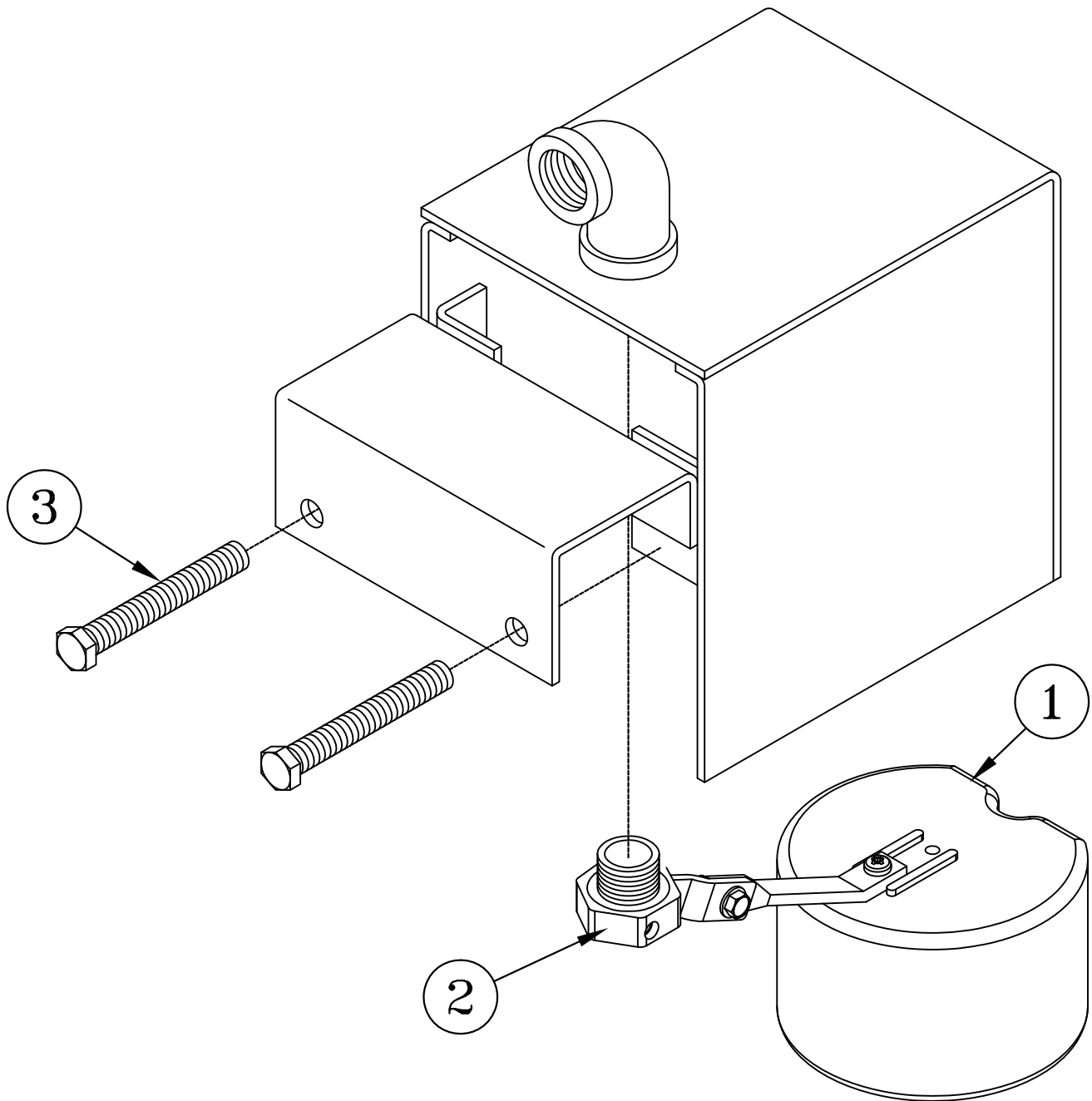


NOTE: BELLOWS TUBE AND MAGNET HOUSING ASSEMBLY ARE NOT AVAILABLE AS REPAIR PARTS.

15424
1/2011

NON-SYPHONING JET FLO ASSEMBLY (12500)

ITEM	PART NO.	DESCRIPTION	QTY
1	13613	FLOAT W/SHORT ARM PKG.	1 Pkg.
2	12575	1/2" RED VALVE PKG.	1 Pkg.
3	15231	SCRW-3/8" X 2 1/2" ZP 5/PKG.	1 Pkg.



12500
1/2007

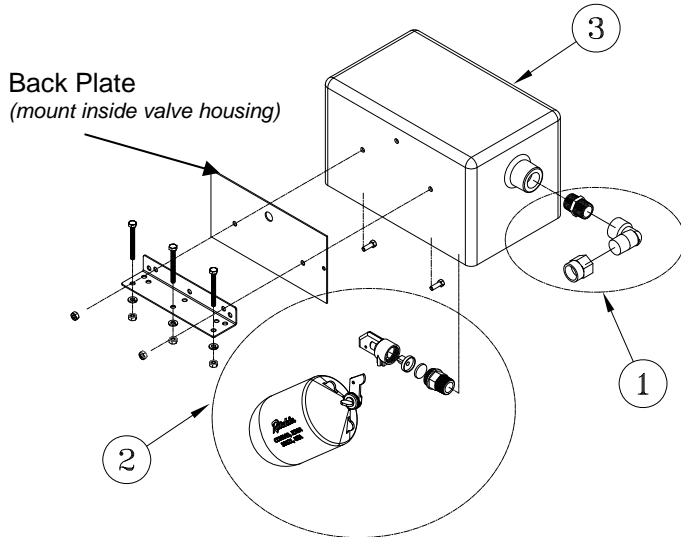
Installation Instructions for

Ritchie[®] Stock Tank Valve

Part Number 18141

The Ritchie Stock Tank Valve is designed to fit on either plastic or steel tanks. The single bracket that is included can be orientated one of two ways depending on the tank you are mounting the unit to. The following describes how this bracket should be mounted for either type of tank installation.

1. Place the backing plate on the inside of the blue valve housing. Align all three holes and place the two short bolts through the two bottom holes from the inside out. Ensure that the center hole lines up with the hole on the valve housing, as it provides ventilation to prevent a vacuum from forming in the valve chamber.
2. Mount the angle bracket with the short side of the bracket touching the valve housing for plastic tanks, and long side touching the housing for steel tanks. The angle bracket should be mounted so the bend of the bracket is below the mounting holes, not on top.
3. Align the bolts sticking through the backing plate, housing, and angle bracket. Use the provided lock washer and nuts to fasten the assembly.
4. To mount the unit to the tank, use the outer and center holes to bolt to the bracket to the tank. For plastic tanks there are a pair of holes on each end and in the center you may use the set of holes close to the valve housing, or further out on the bracket, whichever fits your tank better. For steel tanks there is only one set of holes. Use the angle bracket itself as a template to mark the three holes.
5. With a 5/16" bit, drill out the three pre-marked holes. **NOTE: FOR STEEL TANK HOLES MAY HAVE TO BE DRILLED AT AN ANGLE TO GO ALL THE WAY THROUGH THE RIM SO BOLTS MAY BE INSTALLED.**
6. Lay the bracket on top of the holes that you just drilled and insert the three ¼-20 x 2 ½ hex head screws. Apply the remaining lock washers and nuts to the bottom of the screws and tighten.



The drawing at left shows the angle bracket oriented for use with plastic tanks. For use on steel tanks, orient as below:



Item	Part #	Description
1	18144	Fittings
2	16991	Red valve and float assembly
3	17685	Cover only

Warranty for Ritchie Stock Tank Valve

Ritchie Industries Inc. warrants its products to be free of defective materials and workmanship. Defective part(s) will be repaired or replaced, at the option of Ritchie Industries. This warranty specifically excludes all labor and shipping charges. This warranty does not apply to any appearance items, to any product subjected to misuse, abnormal service, or handling and to any products altered or repaired with other than original equipment manufacture's parts. The period of warranty begins at original date of purchase for one year. All warranty claims must be processed through an Authorized Ritchie Dealer.

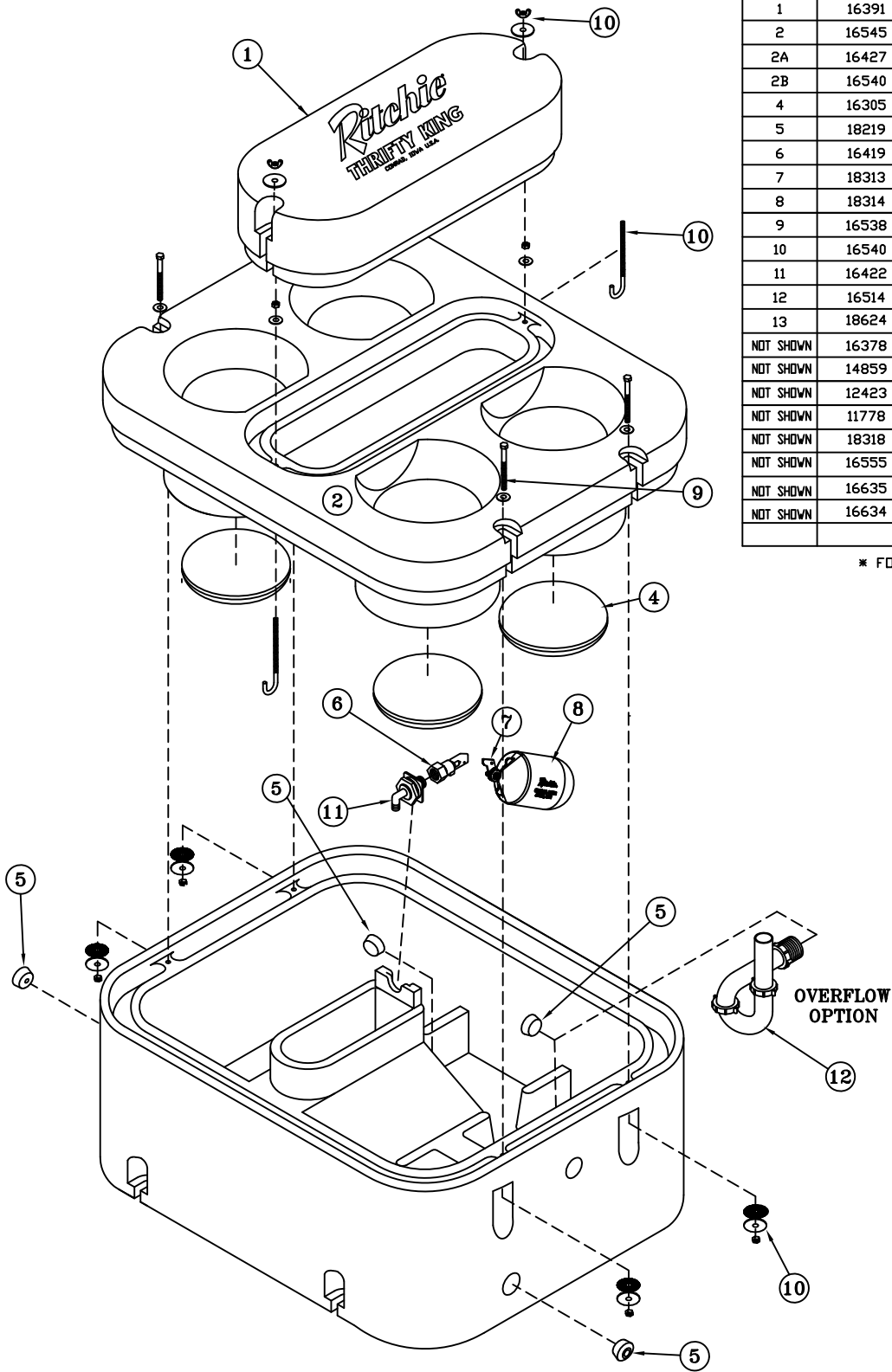
Ritchie Industries
P.O. Box 730 ~ 120 South Main ~ Conrad, IA ~ 50621 U.S.A
641-366-2525 ~ FAX 641-366-2551

17781
1/5/07

Discontinued Units and Parts

DESCRIPTION	DISCONTINUED DATE
Thrifty King CT	
Thrifty King CT4	(11/2004)
Thrifty King for Swine	
Thrifty King HG2-1	(05/2005)
Combination Fountians	
#5 Combination	(05/2005)
Misc. Units	
Supply Hose Assemblies and Fitting	(01/2007)
Omni 200 Bolt Down Cover	(01/2007)
Omni 500 Bolt Down Cover	(01/2007)
Ritchie Water Hydrants	
1' - 10' Water Hydrant	(08/2008)
Trouble Shooting Guild	(08/2008)
StallFount	
Stallfount Poly Cover	(05/2008)
Nipple Fountains	
Nipple Fount 2	(02/2012)
Nipple Fount 4	(02/2012)
Commander Fountains	
Commander 1	(02/2012)
Commander 2	(02/2012)
CattleMasters	
CattleMaster 144	(02/2012)
CattleMaster 84	(02/2012)
CattleMaster 48	(02/2012)

THRIFTY KING CT4 ASSEMBLY (16430)



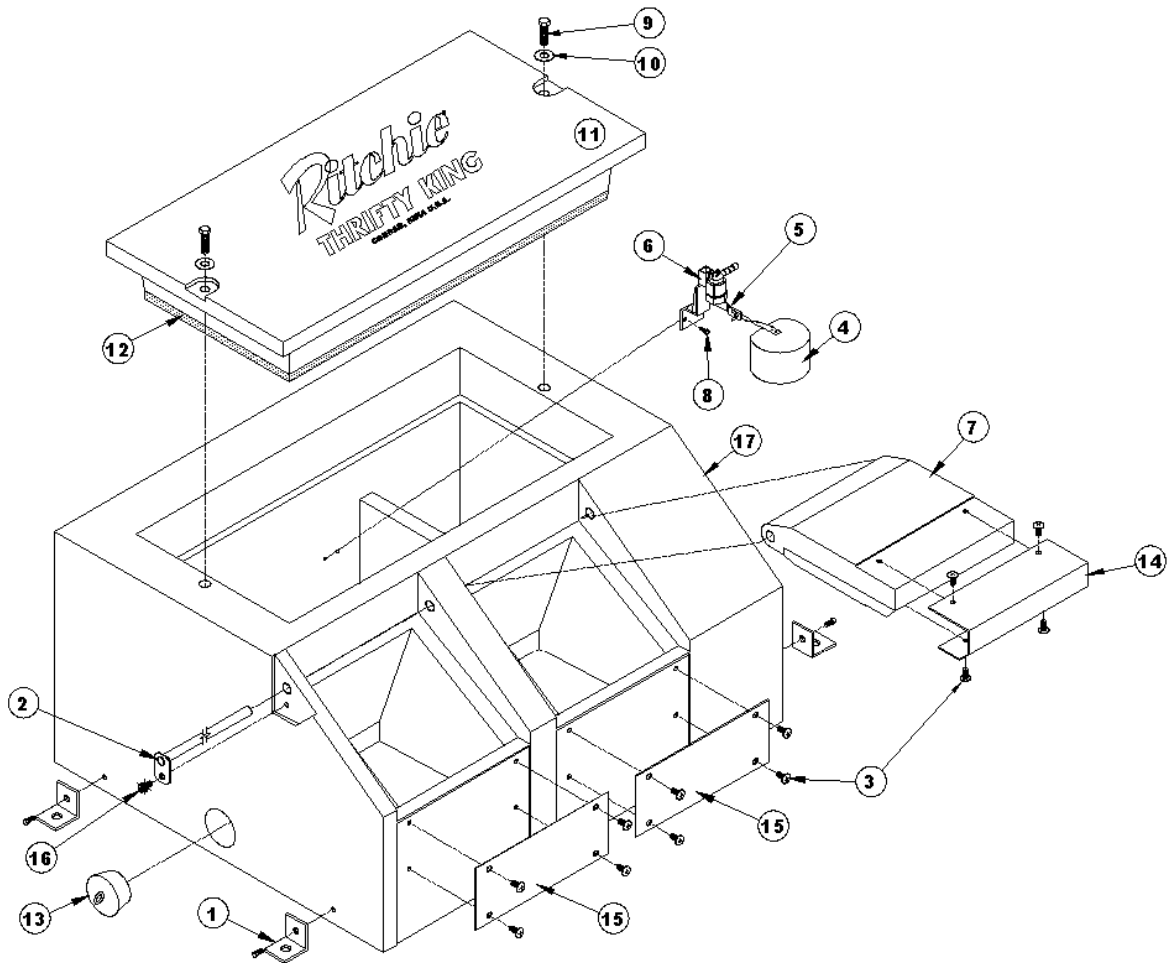
ITEM	PART NO.	DESCRIPTION	QTY
1	16391	VALVE COVER - TK-CT4	1
2	16545	TOP - TK-CT4 W/HARDWARE	1
2A	16427	FOAMED TOP ONLY	1
2B	16540	HARDWARE PACKAGE ONLY (2/PKG)	2 PKG
4	16305	ELLIPTICAL CLOSURE	4
5	18219	DRAIN PLUG #11 PKG.	4 PKG
6	16419	3/4" GREEN FEMALE CTL VLV PKG.	1
7	18313	HARDWARE FOR FLOAT PKG.	1 PKG
8	18314	FLOAT W/ HARDWARE PKG.	1 PKG
9	16538	3/8 x 6" SCREW PKG-TOP (2/PKG)	2 PKG
10	16540	J-BOLT PKG (2/PKG)	1 PKG
11	16422	BRACKET CATTLE VALVE W/NUT	1
12	16514	NON-SIPHONING OVERFLOW OPTION	1
13	18624	REDUCING BUSHING THRIFTY KING	1
NOT SHOWN	16378	RUBBER FOAM SEAL GASKET 12.5 ROLL'	1
NOT SHOWN	14859	PIPE INSULATION-TK4 1 3/8 X 3/4 X 48'	1
NOT SHOWN	12423	HOSE-5/8 X 25 ft	1
NOT SHOWN	11778	3/4 NPT X 5/8 BARB	1
NOT SHOWN	18318	BOLT DOWN WASHER (4/PKG)	1 PKG
NOT SHOWN	16555	3/8 X 5 ANCHOR BOLT 2/PKG	2 PKG
NOT SHOWN	16635	LARGE ACCESSORY PKG	1 PKG
NOT SHOWN	16634	SMALL PARTS PKG	1 PKG

* FOR UNITS BUILT PRIOR TO SEPTEMBER 1997, USE 16663.

16430-2004
1/07

Thrifty King for Swine HG2-1

Part # 16298

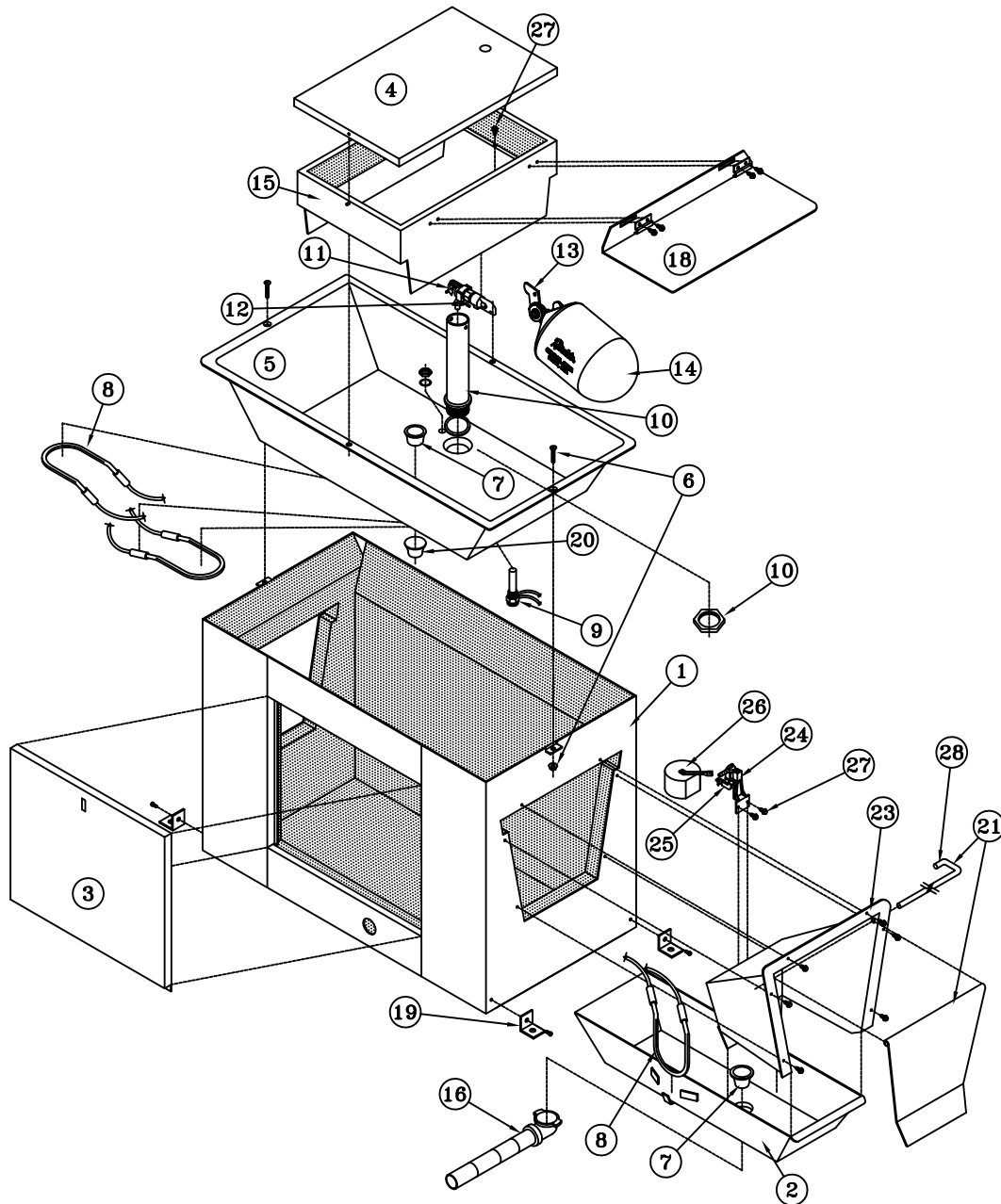


Item	Part #	Description	Qty	Item	Part #	Description	Qty
1	13775	SS Hold Down Angles. (4/Pkg)	1 Pkg	13	18219	Drain Plug Pkg. TK	1 Pkg
2	16325	Hinge Rod – TKHG2-1	1	14	16264	Guard – Lid TK Hog	2
3	18071	1/4-20 x 1/2 Screw (6/Pkg.)	3 Pkg	15	16265	Guard – Base TK Hog	2
4	13613	Hog Float W/Arm	1 Pkg	16	15155	1/4-20 x 1/2 Hex Head Screw (10/Pkg)	1 Pkg
5	12575	1/2" Red Hog Valve Pkg.	1 Pkg	17	16578	Foamed HG2-1 Base	1
6	11515	1/2" Hog Valve Bracket Pkg.	1 Pkg	NS	15930	3/8" Hose Clamp Pkg. SS	1 Pkg
7	16266	Lifting Lid-TKHG W/Guard	2	NS	12420	Hose – 3/8" x 25 ft	1
8	18066	10-24 x 3/4 Screw HH SS (6/Pkg.)	1 Pkg	NS	16378	Foam Seal Gasket 12.5 ft Roll	1
9	18069	3/8-16 x 1-1/4 Bolt SS (6/Pkg.)	1 Pkg	NS	14859	Pipe Insulation TK	1
10	18073	3/8" Flat Washer SS (6/Pkg.)	1 Pkg	NS	16263	Parts Bag	1
11	16268	Access Cover TKHG 2-1 W/Seal	1	NS	13775	3/8" HoldDown Bolt SS-Not Included	1 Pkg
12	16378	Weather Stripping 12-1/2'	1	NS	14261	3/8" SS Anchor Bolt (2/Pkg)-Not Inc.	2 Pkg

NS = Not Shown

Italicized text = Not Included or optional configuration add-ons

#5 COMBINATION ASSEMBLY (16772)



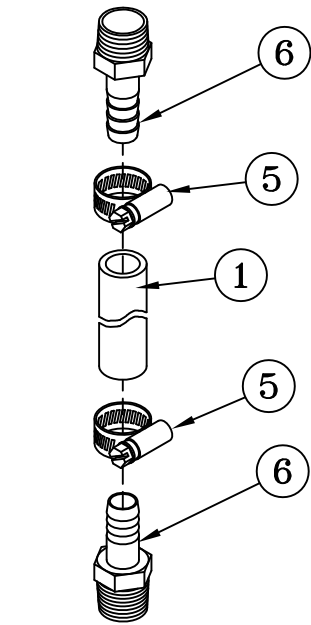
ITEM	PART NO.	DESCRIPTION	QTY
1	13820	CASING PKG. - 5CE	1 PKG
NOT SHOWN	15631	CASING INSULATION PKG-5CE	1 PKG
2	16770	SS LOWER TROUGH 10CE - 5CE	1
3	11154	ACCESS PANEL ONLY (ELEC MODELS)	1
4	13374	COVER COMPLETE	1
5	16746	SS UPPER TROUGH W/SCREWS & NUTS PKG. 5E-CE	1 PKG
6	16281	TROUGH SCREW & NUT PKG. (6/PKG.)	1 PKG
7	18628	DRAIN PLUG	2
8	11419	250W ELEMENT (120 VOLT)	3 PKG
	11403	300W ELEMENT (240 VOLT)	3 PKG
9	11422	FENWAL THERMOSTAT-BRASS-PAINTED TROUGH	1 PKG
	16534	FENWAL THERMOSTAT-SS-SS TROUGH	1 PKG
	18320	O-RING FENWAL (6/PKG)	1 PKG
	18074	NUT - FENWAL BRASS (6/PKG)	1 PKG
NOT SHOWN	13830	48W CABLE HEATER (120 VOLT)	1 PKG
	16424	48W CABLE HEATER (240 VOLT)	1 PKG
10	16629	STANDPIPE-3, 5 - AFTER 5/95	1 PKG
11	11514	3/4" CATTLE VALVE BRACKET	1 PKG
12	15377	3/4" GREEN MALE CATTLE VALVE PKG.	1 PKG
13	18313	HARDWARE FOR FLOAT PKG	1 PKG
14	18314	FLOAT W/ HARDWARE PKG	1 PKG

ITEM	PART NO.	DESCRIPTION	QTY
NOT SHOWN	12582	SUPPLY HOSE ASSY	1
17 + 18	16975	FLIPPER LIDS & HINGE PKG. - 5E, CE	1 PKG
15	16590	FRAME W/O LIDS PKG - 5E, 5CE	1
NOT SHOWN	13790	FRAME INSULATION PKG. #5	1 PKG
16	11473	DRAIN W/ELBOW	1
18	15571	FLIPPER ONLY - 5	2
19	13775	SS HOLD DOWN W/BOLT (4/PKG.)	1 PKG
20	11482	FLARED UPPER DRAIN FITTING	1
21	12812	SWINGING DOOR W/ROD	2
23	11189	INNERHOOD ONLY 10-5	2
24	11515	1/2" HOG VALVE BRKT PKG.	1 PKG
25	12575	1/2" RED HOG VALVE PKG.	1 PKG
26	13613	HOG FLOAT WARM	1 PKG
27	15154	SCREW-VALVE (10/PKG)	1 PKG
28	13165	ROD ONLY W/NUT SWINGING DOOR	2
NOT SHOWN	11279	STEEL DRAIN PIPE (GAS MODELS)	1
NOT SHOWN	11264	ACCESS PANEL (GAS MODELS)	1
NOT SHOWN	18075	WASHER - DRAIN (6/PKG)	1 PKG

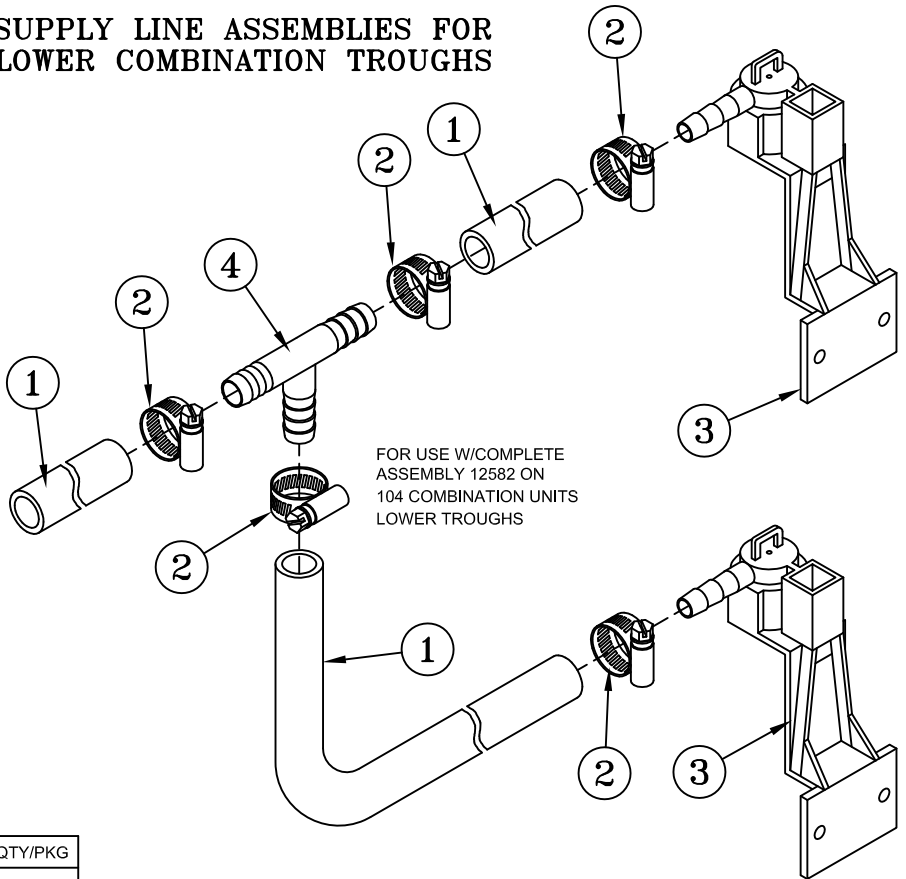
16772-2005
2-2007

RITCHIE SUPPLY HOSE ASSEMBLIES AND FITTINGS

SUPPLY LINE ASSEMBLIES FOR LOWER COMBINATION TROUGHS



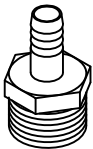
HOSE ASSY
12529 FOR USE ON
1AC & 2AC
W/STEEL VALVE BRACKET



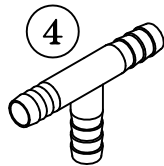
FOR USE W/COMPLETE
ASSEMBLY 12582 ON
104 COMBINATION UNITS
LOWER TROUGHS

NOT SHOWN - 12530 EXTENSION HOSE ASSEMBLY
5/8 X 18 W/3/4 NPT FITTING (SWIVELS)

ITEM	PART NO.	DESCRIPTION	QTY/PKG
1	12420	HOSE 3/8" X 25ft	
2	15930	3/8" HOSE CLAMP PKG	5
3	11515	1/2" VALVE BRACKET	2
4	11795	ADAPT FIT TEE 3/8" BARB	1
5	15930	3/8" HOSE CLAMP PKG	5
6	18613	MALE FIT 1/2NPT-3/8"BARB	1



18613
MALE FITTING 3/4" NPT
TO 3/8" BARB NYLON



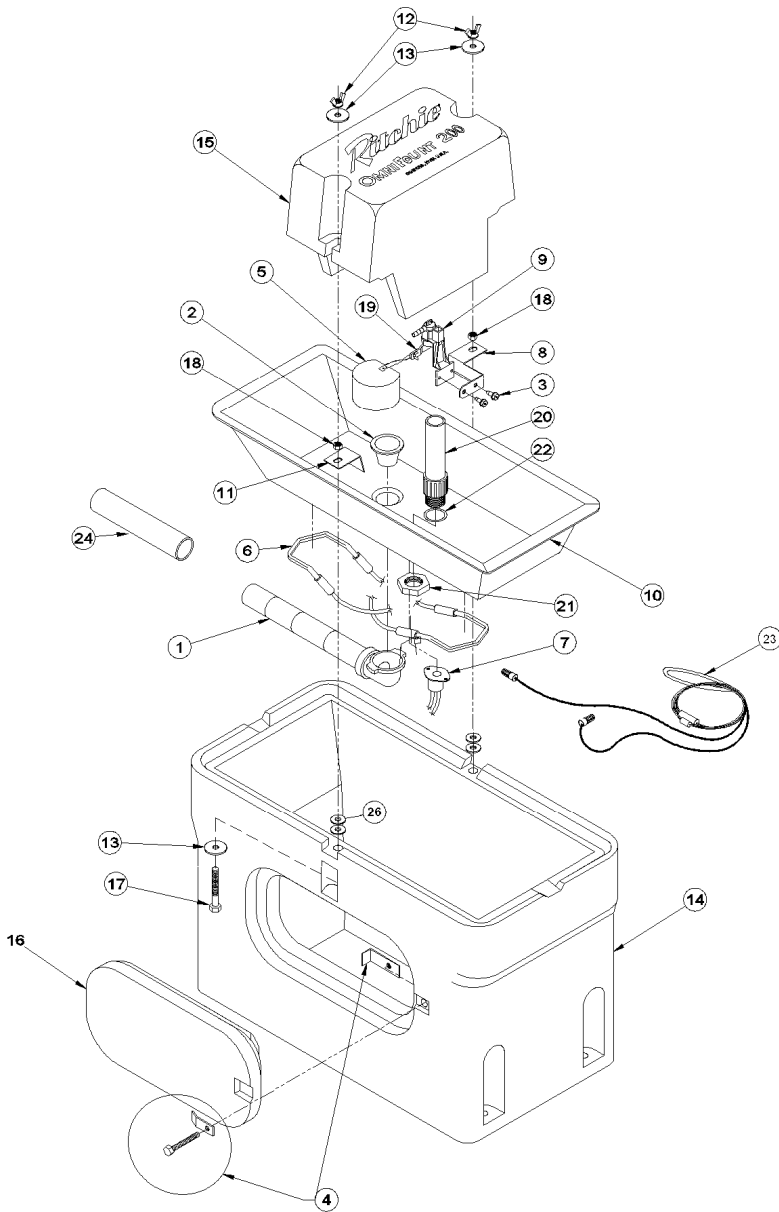
11795
TEE FITTING 3/8" BARB
NYLON

DISCONTINUED 2/2007

Disc Hose Ftg
1/2012

Omni 200

Part # 16619



Item	Part #	Description	Qty
1	11473	Drain Pipe W/Elbow	1
2	18628	Drain Plug	1
3	15154	¼ - 20 Hex-Headed Screw (10/pkg)	1 pkg
4	18147	Access Panel Hardware Pkg.	1
5	13613	Float W/Arm Pkg.	1
6	14150	125W Element (120 Volt)	2
7	11885	Thermostat	1
8	18637	SS Valve Bracket PKG	1
9	11515	Valve Bracket ½"	1
10	16616	SS Trough	1
11	18637	Hold Down Bracket PKG	1
12	18077	3/8 – 16 UNC – Wing Nut (6/Pkg.)	2
13	16978	3/8 x 1 1/4 O.D. Washer SS (4/pkg)	1 pkg
14	16620	Casing	1
15	16622	Valve Cover	1
16	16621	Access Panel	1
17	16981	Screw 3/8–16 x 3 Full Thread (4/Pkg)	2
18	16979	3/8 – 16 UNC Nut Pkg. – (4/Pkg.)	1 Pkg.
19	12575	Red Valve Package	1
20	17447	Stand Pipe PVC	1
21	17446	Locknut 1" Plastic	1
22	17445	O-Ring	1
23	13830	48 W Cable Heater (120 Volt)	1
24	17500	Drain Pipe Guard SS	1
20,21,22	16866	Standpipe, Nut, & O-Ring Pkg	1
26	18073	Washer 3/8 x 7/8 SS (6/Pkg.)	1 pkg
NS	18075	Washer – Drain (6/Pkg.)	1 pkg
NS	16627	Complete Accessory Pkg.	1

NS = Not Shown

Italicized text = Not included or optional configuration add-ons

For 240 Volt Omni 200 16844, See Parts Below

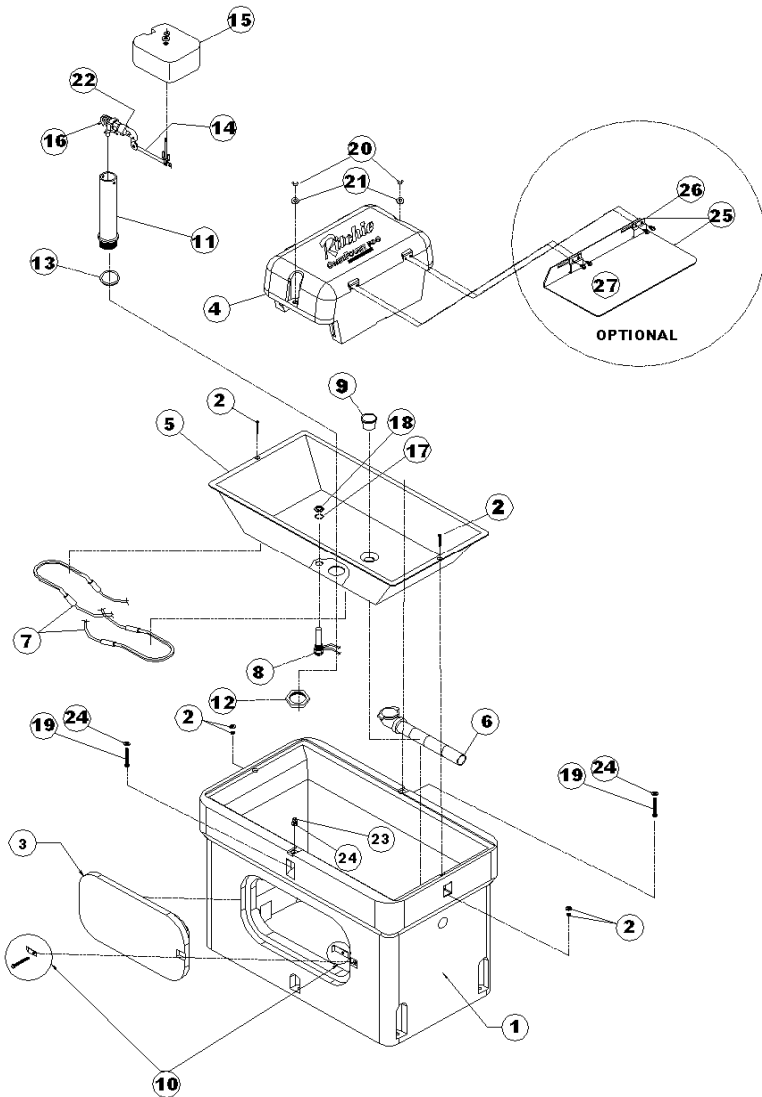
NS	16424	48W Cable Heater (240 Volt)	1
NS	16664	200W Element (240 Volt)	1

COVER DISCONTINUED 2/2007

VALVE & HOLD DOWN BRACKETS DISCONTINUED 1/2008

Omni 500

Part # 16533



NS = Not Shown

Italicized text = Not included or optional configuration add-ons

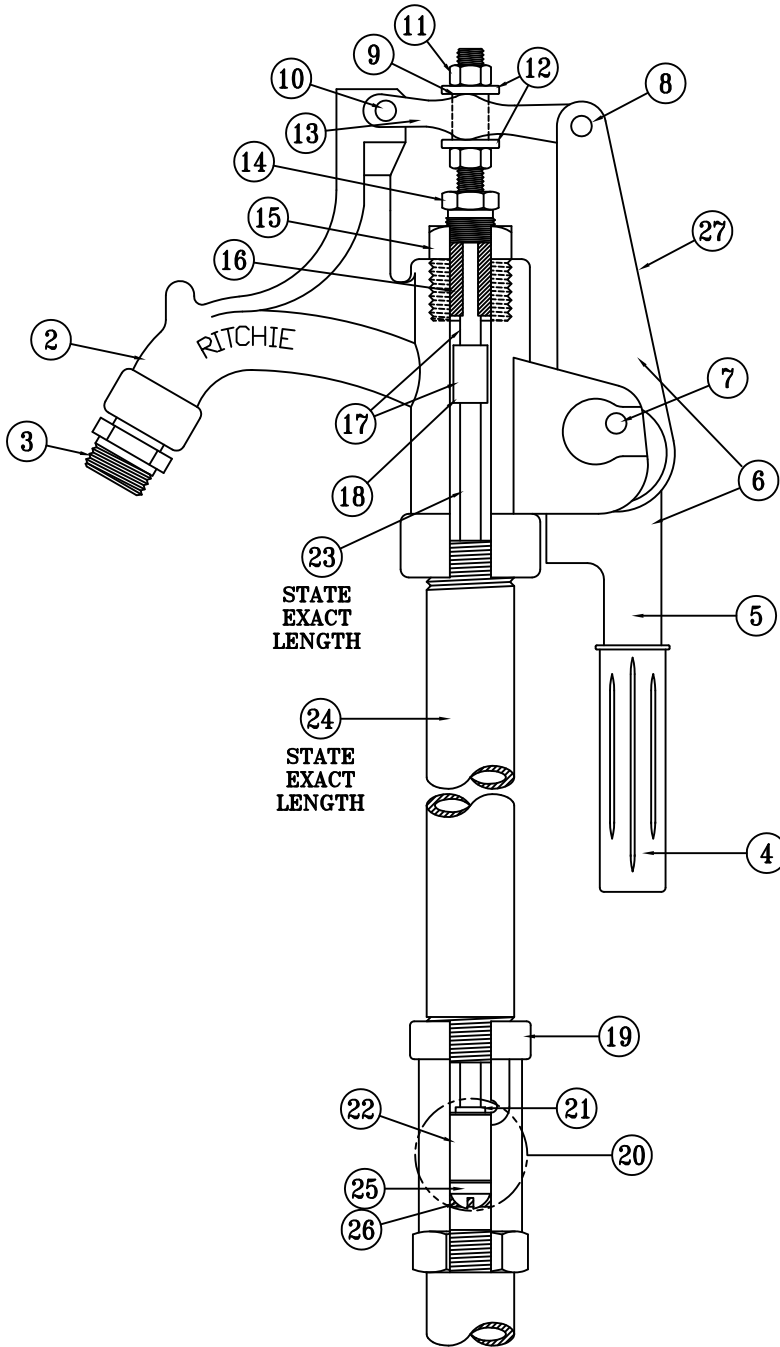
**FLOAT DISCONTINUED 1/2007
COVER DISCONTINUED 2/2007**

Item	Part #	Description	Qty
1	16561	Casing	1
2	18095	Trough Screw Nut & Washer Pkg.	1 Pkg.
3	16562	Access Panel	1
4	16563	Cover	1
5	16631	Upper Trough w/Screw & Nut pkg.	1
6	11473	Drain W/Elbow	1
7	11419	250W Element (120 Volt)	2
8	16534	Fenwal Thermostat –SS–SS Trough	1
9	18628	Drain Plug	1
10	18147	Access Panel Hardware	1
11	17268	Standpipe – 3,5	1
12	17269	Nut – Standpipe 3,5	1
13	17270	Washer – Standpipe	1
14	12572	Cattle Float Arm Assembly	1
15	11844	Float 7" Plastic	1
16	11514	¾" Cattle Valve Bracket	1
17	14597	O-Ring – Fenwal	1
18	18074	Nut- Fenwal 6/pkg	1
19	16981	Screw 3/8-16 x 3 SS (4/Pkg.)	2
20	18077	Wingnut (6/Pkg.)	2
21	18318	Washer	8
22	15377	¾" Green male Cattle Valve Pkg.	1
23	16979	Nut 3/8 – 16 4/Pkg.	2
24	18073	Washer 3/8 Flat SS (6/Pkg.)	4
25	16560	<i>Flipper & Hinge Pkg. – Optional</i>	<i>1</i>
26	16559	<i>Hinge W/Screws Pkg. (4/Pkg.)–Optional</i>	<i>1 Pkg.</i>
27	15571	<i>Flipper Only 5 & 10 –Optional</i>	<i>2</i>
NS	18075	Washer – Drain 6/pkg	1
11,12,13	16629	Standpipe Washer & Nut Pkg	1
NS	13830	48W Cable Heater (120 volt)	1
NS	12583	Supply Hose Assembly	1
NS	16554	Complete Accessory Pkg.	1

For 240 Volt Omni 500 #16829, See Parts Below

NS	16424	48W Cable Heater (240 Volt)	1
NS	11403	300W Element (240 Volt)	2

RITCHIE WATER HYDRANT 1'-10' BURY



LIST A

12602	HYDRANT ROD 2'BURY-52 5/8"
12603	HYDRANT ROD 3'BURY-64 5/8"
12604	HYDRANT ROD 4'BURY-76 5/8"
12605	HYDRANT ROD 5'BURY-88 5/8"
12606	HYDRANT ROD 6'BURY-100 5/8"
12608	HYDRANT ROD 8'BURY-124 5/8"
12610	HYDRANT ROD 10'BURY-148 5/8"

LIST B

12592	HYDRANT PIPE 2'BURY-48 7/8"
12593	HYDRANT PIPE 3' BURY-60 7/8"
12594	HYDRANT PIPE 4'BURY-72 7/8"
12595	HYDRANT PIPE 5'BURY-84 7/8"
12596	HYDRANT PIPE 6'BURY-96 7/8"
12598	HYDRANT PIPE 8'BURY-120 7/8"
12600	HYDRANT PIPE 8'BURY-144 7/8"

ITEM	PART NO.	DESCRIPTION	QTY
NOT LABELED	12910	COMPLETE HYDRANT HEAD ASSEMBLY	1
2	12804	HYDRANT HEAD W/SPOUT & PACKING	1
3	18616	SPOUT ADPT (3/4" GH X 1/2 NPT) BRS	1
4	18604	HANDLE GRIP ONLY	1
5	18621	HYDRANT HANDLE W/GRIP	1
6	12805	LIFTING HANDLE W/ARMS	1
7	15296	1 1/8" PIN W/LOCK RING 5/PKG.	1 PKG.
8	15286	5/8" PIN W/LOCK RING 5/PKG.	1 PKG.
9	18611	ROCKER ARM SLEEVE	1
10	15287	13/16" PIN W/LOCK RING 5/PKG.	1 PKG.
11	15280	3/8 BRASS HEX NUT 5/PKG.	1 PKG.
12	15281	3/8 STEEL FLATWASHER ZP 5/PKG.	1 PKG.
13	18618	ROCKER ARM	1
14	18610	PACKING NUT	1

ITEM	PART NO.	DESCRIPTION	QTY
15	18608	PACKING GLAND FITTING	1
16	15282	PACKING	1
17	18620	SS EXTENSION W/BRASS COUPLER-ASSY	1
18	18609	BRASS COUPLER ONLY	1
19	18619	BRONZE VALVE CHAMBER	1
20	15170	(21, 22, 25, 26) PLUNGER ASSY	1
21	18068	BRASS OR SS WASHER 6/PKG.	1 PKG.
22	18602	NEDPRENE PLUNGER SLEEVE ONLY	1
23	LIST A	PLUNGER ROD	1
24	LIST B	1' GALV. PIPE CASING	1
25	15283	LEATHER SEAT WASHER 5/PKG.	1 PKG.
NOT SHOWN	15268	LOCK RING ONLY STEEL ZP 5/PKG.	1 PKG.
26	18601	SCRW-BRASS-PLUNGER 3/8-24 X 1/2	1
27	18215	HYDRANT LIFT ARM-PAIR	1

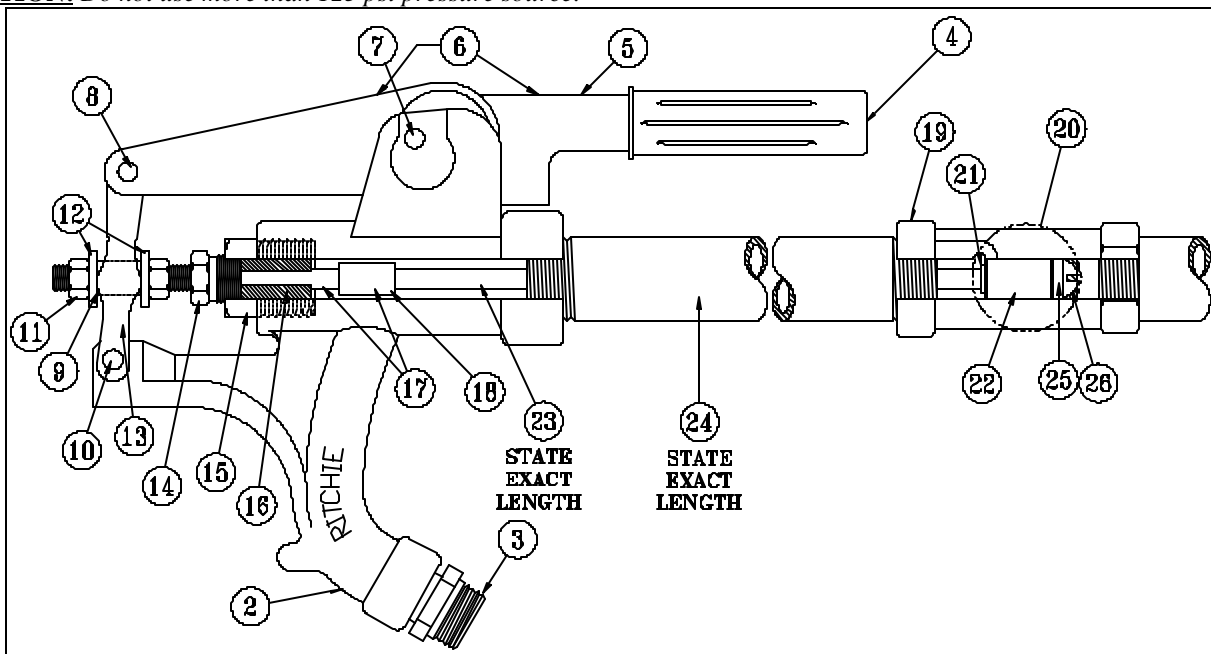
DISCONTINUED 8/2008

12501-2008
1/2012

TROUBLE-SHOOTING GUIDE FOR RITCHE FROST FREE HYDRANTS

1. If hydrant continues to drip after handle is closed, the plunger rod may need to be adjusted.
 - a. Loosen hex nut #11, on top of plunger rod #17
 - b. Open the hydrant handle #5 partially to relieve pressure on plunger rod.
 - c. Turn the lower hex nut #12 on plunger rod #17 approximately ½ to 1 turn toward top of rod.
 - d. Tighten top hex nut #11 onto plunger rod.
 - e. Close hydrant handle. Check for leaks.
2. If hydrant continues to drip after adjusting the plunger rod, the leather washer #25 on the plunger assembly #20 needs to be replaced. **NOTE:** *This can be done without removing hydrant from ground.*
 - a. Shut water supply off.
 - b. Remove plunger rod nuts and washers #11 & #12, and the rocker arm pin and retaining ring, #8.
 - c. Remove packing nut #14 and packing gland #15 by turning counterclockwise.
 - d. Pull plunger rod #17 & #18 up through hydrant pipe #24, without turning rod as this may damage washer and plunger sleeve. **NOTE:** *Due to calcium (lime) or iron buildup in the valve chamber above the plunger assembly, it may be difficult to remove the plunger rod assembly. The hydrant should be flushed after removing hydrant rod assembly by turning water supply on, momentarily, and then turning off again.*
 - e. Inspect leather washer #25 and rubber plunger #22 for wear and, or damage. Replace if necessary.
 - f. Re-install plunger rod into hydrant, and replace rocker arm and plunger nuts and washers and adjust, and then turn on water supply and test for leaks.
3. If hydrant continues to leak, after replacing plunger assembly, the valve chamber #19 needs to be replaced. **NOTE:** *The hydrant must be removed from ground for this repair.*
4. If hydrant leaks around plunger rod #17 in hydrant head, the brass packing nut #14 may need adjusting.
 - a. Tighten brass packing nut #14 into plastic packing gland fitting #15, approximately ¼ turn at a time.
 - b. If this does not stop the leak, the packing #16 may need to be replaced. To do this, the rocker arm and adjusting nuts must be removed as described above. The packing nut #14 must then be removed by turning counter clockwise. The packing gland #15 also needs to be removed by turning counterclockwise. The packing can be removed by using a ½" to 5/8" dia. drill bit. Be careful not to drill too deep into packing gland or it can be damaged. The packing gland could also be replaced at this time.
 - c. Inspect the hydrant rod extension #17 for wear and damage at this time, it should be smooth. Replace if damage is evident or it shows wear on one side of the rod.
5. If hydrant freezes in the winter, the drain weep hole in the valve chamber #19 is plugged, the valve is leaking, or the ground water level is too high. If drain hole is plugged, it may be possible to clean it out, by back flushing after the hydrant is unfrozen. This can be done, by connecting a pressurized water or air source to the hydrant outlet hose fitting #3, while the handle is closed.

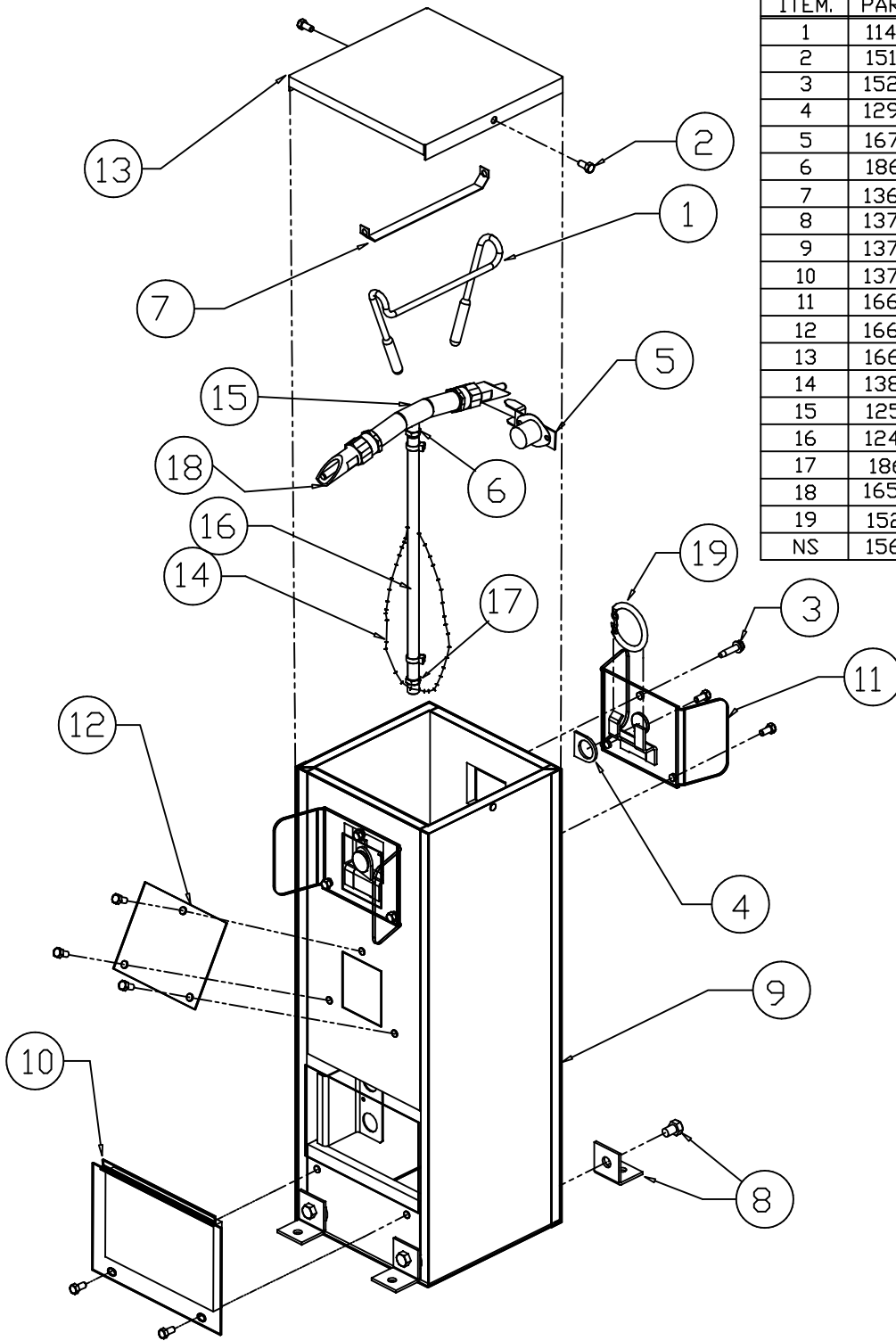
CAUTION: *Do not use more than 125 psi pressure source.*



Part No. 17508 Rev. 12-1-98

NIPPLE FOUNT II (16676)

ITEM.	PART#	DESCRIPTION	QTY.
1	11426	150W HEATER	1
2	15155	1/4-20 X 1/2 SCREW 10/PKG	2 PKG
3	15288	1/4-20 x 1 SCREW 5/PKG	1 PKG
4	12989	RUBBER INSULATION	2
5	16709	THERMOSTAT & BRACKET	1
6	18612	ADAPT 3/8 HB X 1/4 NPT	1
7	13657	HEATER CLIP	1
8	13775	SS HOLDDOWN ANGLE 4/PKG	1 PKG
9	13793	CASING PKG.	1 PKG
10	13737	ACCESS PANEL	1
11	16678	SHIELD	2
12	16679	COVER PLATE	2
13	16680	COVER	1
14	13830	CABLE HEATER PKG	1 PKG
15	12551	SUPPLY PIPE W/BRASS	1
16	12420	HOSE-3/8"	25FT
17	18613	FTG 3/8 BARB X 1/2 NPT	1
18	16566	NIPPLE 2/PKG (ORDER THROUGH BECK SALES)	1 PKG
19	15247	SPRING & CLAMP PKG	1
NS	15661	INSULATION PKG	1

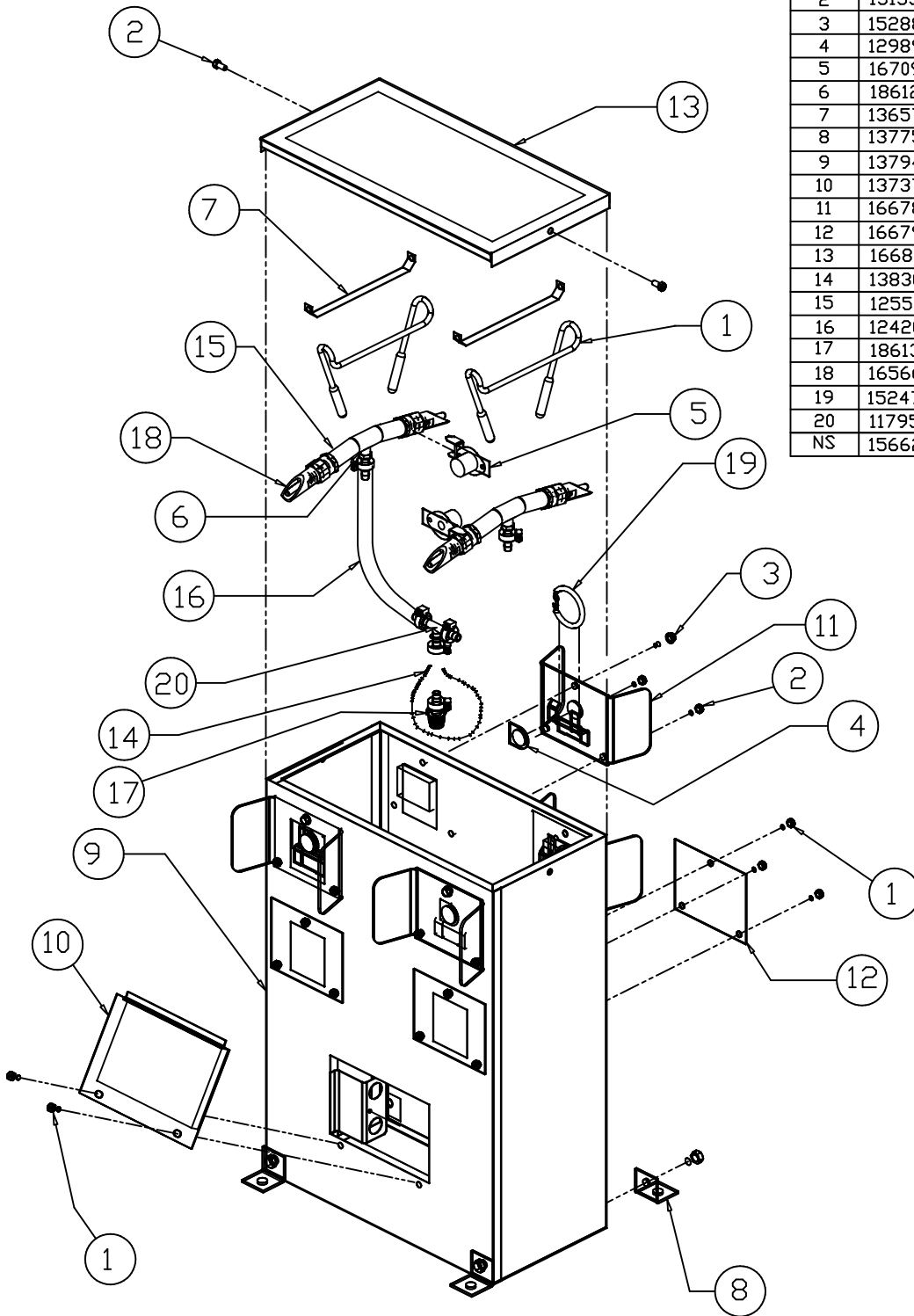


16676

DISCONTINUED 2/2012

NIPPLE FOUNT IV (16677)

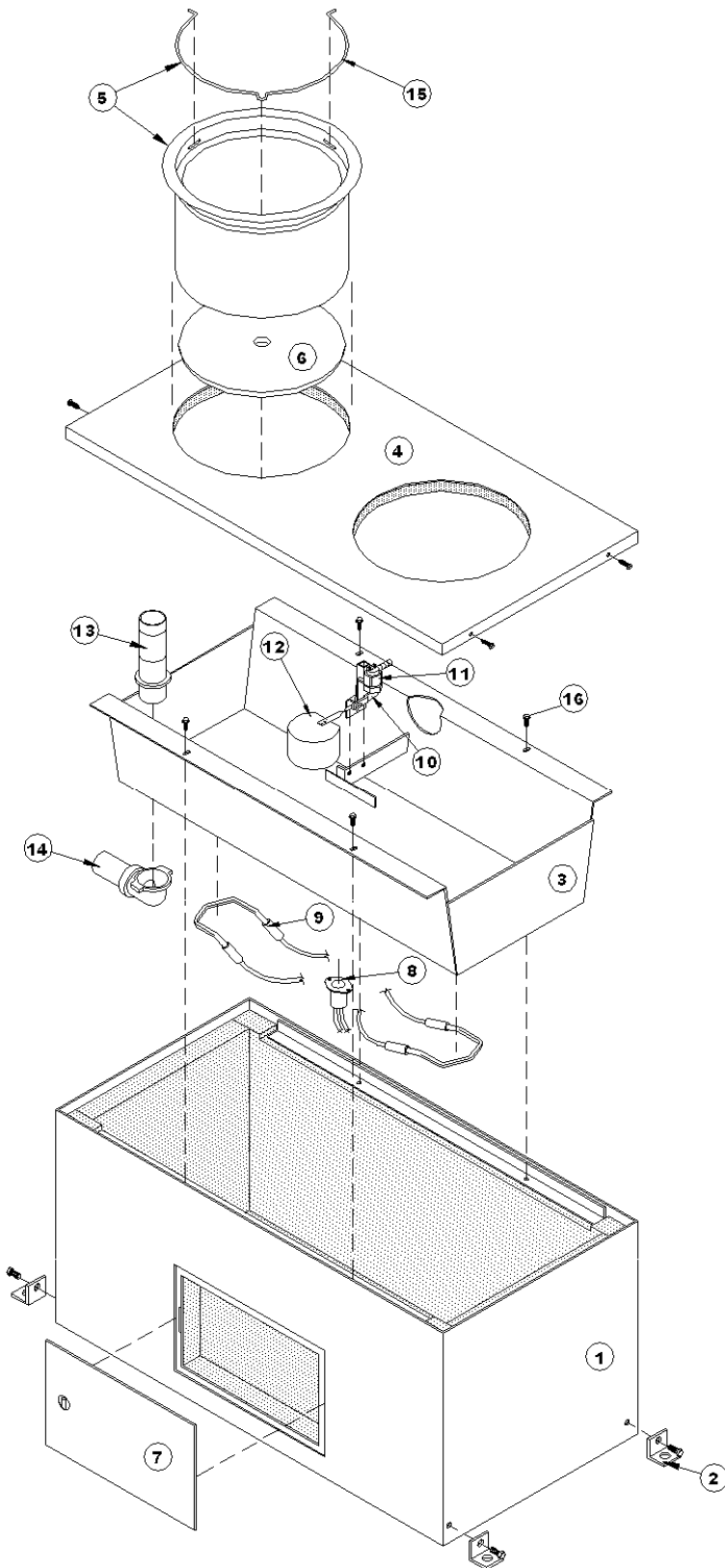
ITEM	PART#	DESCRIPTION	QTY.
1	11426	150W HEATER	2
2	15155	1/4-20 X 1/2 SCREW 10/PKG	3 PKG
3	15288	1/4-20 X 1 SCREW 5/PKG	1 PKG
4	12989	RUBBER INSUL NIPPLE	4
5	16709	THERMOSTAT & BRACKET	2
6	18612	FTG 3/8 BARB X 1/4 NPT	2
7	13657	HEATER CLIP	2
8	13775	SS HOLD DOWN ANGLE 4/PKG	1 PKG
9	13794	CASING PKG	1
10	13737	ACCESS PANEL	1
11	16678	SHIELD	4
12	16679	COVER PLATE	4
13	16681	COVER	1
14	13830	CABLE HEATER PKG	1
15	12551	SUPPLY PIPE W/BRASS	2
16	12420	HOSE 3/8"	25FT
17	18613	FTG 3/8 BARB X 1/2 NPT	1
18	16566	NIPPLE 2/PKG (ORDER THROUGH BECK SALES)	2 PKG
19	15247	SPRING & CLAMP PKG	1
20	11795	TEE BARB 3/8	1
NS	15662	INSULATION PKG	1



DISCONTINUED 2/2012

Commander 2

Part # 16758



Item	Part #	Description	Qty
1	15696	Casing Pkg. Commander 2	1
2	13775	SS Hold Down Angles (4/Pkg.)	1 Pkg.
3	16757	Trough – Commander 2 SS	1
4	15584	Cover – Commander 2	1
5	16362	Plastic Drink Well W/RTN Ring	2
6	14412	Thermal Cap	2
7	15514	Access Panel Com.	1
8	11885	Disc Thermostat Pkg.	1 Pkg.
9	14150	125W Element (120 Volt) (1/Pkg.)	2 Pkg.
10	12574	½" White Valve Pkg.	1 Pkg
11	11515	½" Valve Bracket Pkg.	1 Pkg.
12	12836	Float W/Long Arm Pkg.	1 Pkg.
13	14647	Drain Plug & Overflow	1
14	16172	Drain W/Elbow	1
15	14201	Retaining Ring	2
16	15532	Screw – Trough (6/Pkg.)	1 Pkg.
NS	13830	48W Cable Heater (120V) (1/Pkg.)	1 Pkg.
NS	15536	Hose 3/8" x 24" W/Clamps & Adpt.	1 Pkg.
NS	15154	Screw – Valve Bracket (10/Pkg.)	1 Pkg.
NS	15818	Screw – Cover (4/Pkg.)	1 Pkg.
NS	15657	Casing Insulation Pkg. – Com. 2	1 Pkg.
NS	15515	Complete Accessory Pkg.	1 Pkg.

For 240 Volt Commander 2 #16820, See Parts Below

NS	16424	48W Cable Heater (240V) (1/Pkg.)	1 Pkg.
NS	16664	200W Element (240V) (1/Pkg.)	1 Pkg.

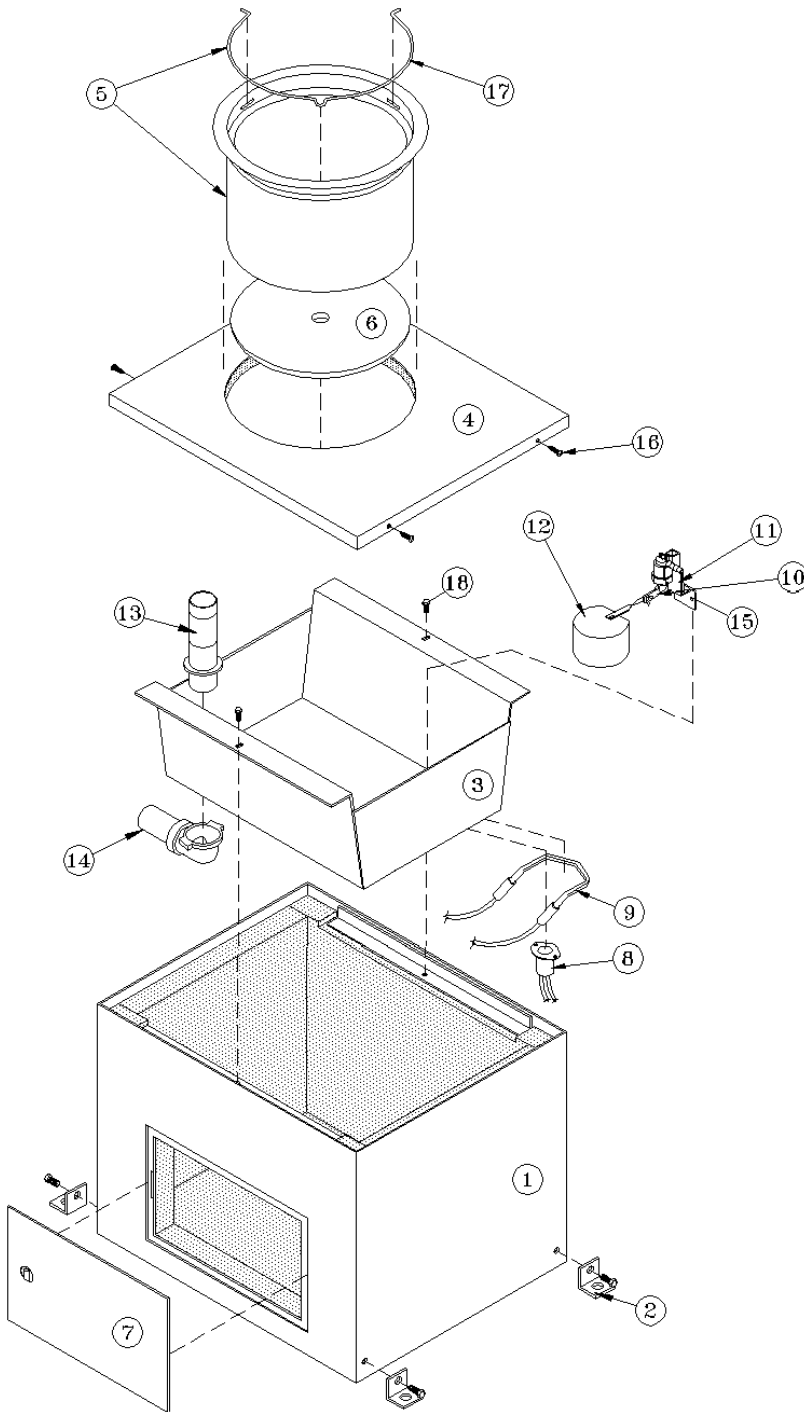
NS = Not Shown

Italicized text = Not included or optional configuration add-ons

DISCONTINUED 2/2012

Commander 1

Part # 16751



Item	Part #	Description	Qty
1	15533	Casing Pkg. Commander 1	1
2	13775	SS Hold Down Angles (4/Pkg.)	1 Pkg.
3	16750	Trough – Commander 1 SS	1
4	15495	Cover – Commander 1	1
5	16362	Plastic Drink Well W/Rtn. Ring	1
6	14412	Thermal Cap	1
7	15514	Access Panel Com.	1
8	11885	Disc Thermostat Pkg.	1 Pkg.
9	14150	125W Element (120 Volt) (1/Pkg.)	1 Pkg.
10	12574	½" White Valve Pkg.	1 Pkg.
11	11515	½" Valve Bracket Pkg.	1 Pkg.
12	12836	Float W/Long Arm Pkg.	1 Pkg.
13	14647	Drain Plug & Overflow	1
14	16172	Drain Pipe W/Elbow	1
15	15154	Screw–Valve Bracket (10/Pkg.)	1 Pkg.
16	15818	Screw – Cover (4/Pkg.)	1 Pkg.
17	14201	Retaining Ring	1
18	15532	Screw – Trough (6/Pkg.)	1 Pkg.
NS	15536	Hose 3/8" x24" W/Clamps & Adpt.	1 Pkg.
NS	15658	Casing Insulation Pkg. – Com 1	1 Pkg.
NS	13830	48W Cable Heater (120V) (1/Pkg.)	1 Pkg.
NS	15515	Complete Accessory Pkg.	1 Pkg.

For 240 Volt Commander 1 #16818, See Parts Below

NS	16424	48W Cable Heater (240V) (1/Pkg.)	1 Pkg.
NS	16664	200W Element (240 Volt) (1/Pkg.)	1 Pkg.

NS = Not Shown

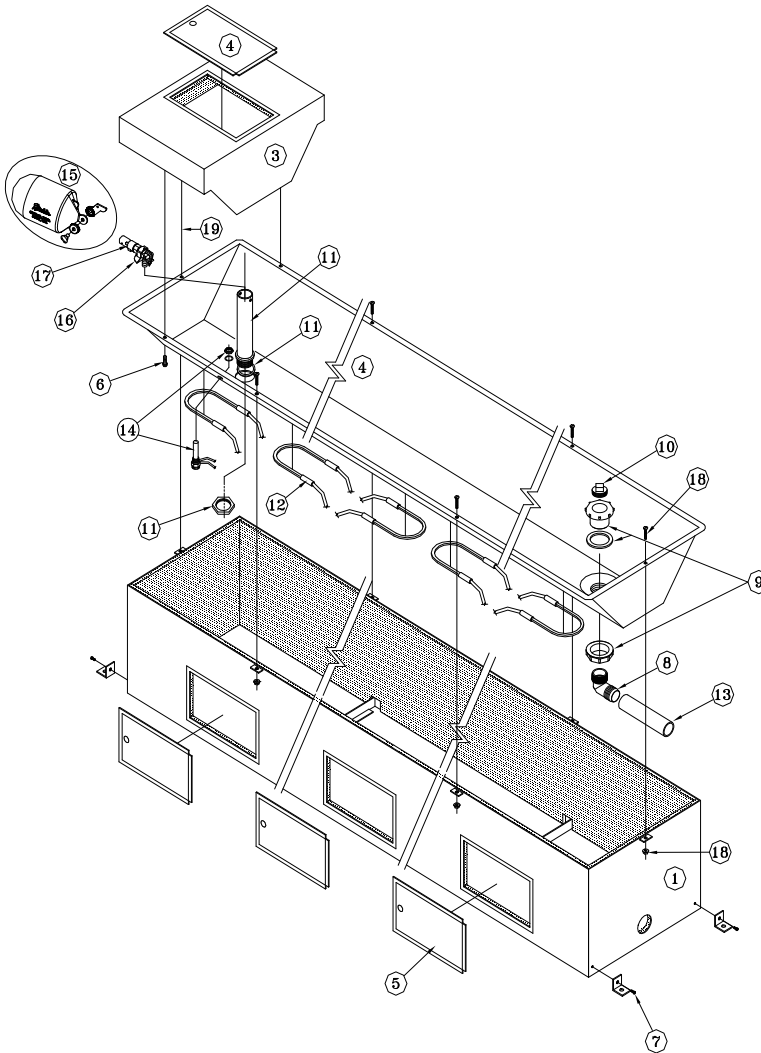
Italicized text = Not included or optional configuration add-ons

DISCONTINUED 2/2012

CattleMaster 144 Electric

Part # 16790

Item	Part #	Description	Qty
9	17679	Bulkhead Fitting 2"	1
10	18338	CM Plug Pkg.	1 Pkg.
11	18181	Standpipe W/ Washer & Nut Pkg.	1 Pkg.
12	11419	250W Element (120V) (1/Pkg.)	5 Pkg.
13	17677	Drain Tube	1
14	16534	Fenwal Thermostat SS Pkg.	1 Pkg.
	18320	O-Ring – Fenwal (6/Pkg.)	1 Pkg.
	14503	Nut – Fenwal (6/Pkg.)	1 Pkg.
15	18314	Float w/ Hardware Pkg.	1 Pkg.
	18313	Hardware for Float Pkg.	1 Pkg.
16	11514	3/4" Cattle Valve Bracket Pkg.	1 Pkg.
17	11101	3/4" Red Male Cattle Valve Pkg.	1 Pkg.
18	18114	Carriage Bolt & Nut Pkg. (5/Pkg.)	1 Pkg.
19	16132	Casing Bolt & Nut Pkg. (4/Pkg.)	1 Pkg.
NS	12583	CattleMaster Supply Line Assembly	1
NS	15635	Casing Insulation Pkg. – 144 CM	1
NS	13849	Frame Insulation Pkg. – CM	1
NS	13830	48 W Cable Heater (120 Volt) Pkg.	1 Pkg.
NS	18327	Complete Accessory Pkg.	1 Pkg.
NS	12810	Gas Access Panel – 8" Optional	3



Item	Part #	Description	Qty
1	12658	Casing Pkg. 144 CattleMaster	1
2	16791	SS Trough W/Screws & Nut Pkg.	1 Pkg.
3	12618	Frame W/Panel & Screws	1
4	15542	Access Panel – CM Frame	1
5	12140	Access Panel – 8"	3
6	15154	Screw 1/4"-20 x 5/8" (10/Pkg.)	1 Pkg.
7	13775	SS Hold Down Angles (4/Pkg.)	1 Pkg.
8	17678	2" Elbow x Hose Barb	1

For 240 Volt CattleMaster 144 #16833, See Parts Below

NS	16424	48W Cable Heater (240 Volt) Pkg.	1 Pkg.
NS	11403	300W Element (240 Volt) Pkg.	3 Pkg.

For Constant Flow -No Heat -CattleMaster 144 #16805

NS	12154	Constant Flow Overflow Pipe	1
NS	16891	Constant Flow Valve W/ Petcock	1 Pkg.
NS	11142	Constant Flow Valve W/O Petcock	1 Pkg.
NS	18316	Fenwal Replacement Plug Pkg.	1 Pkg.
NS	11417	Drain Hole Plug	1

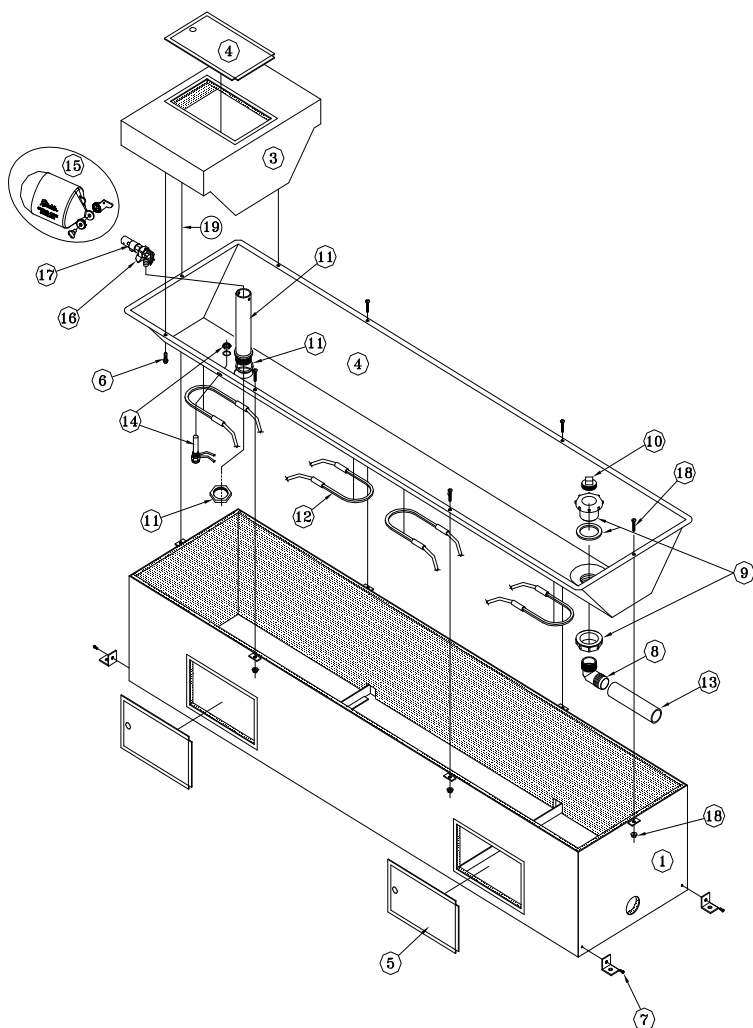
NS = Not Shown

Italicized text = Not included or optional configuration add-ons

DISCONTINUED 2/2012

CattleMaster 84 Electric

Part # 16785



Item	Part #	Description	Qty
9	17679	Bulkhead Fitting 2"	1
10	18338	CM Plug Pkg.	1 Pkg.
11	18181	Standpipe W/ Washer & Nut Pkg.	1 Pkg.
12	11419	250W Element (120V) (1/Pkg.)	4 Pkg.
13	17677	Drain Tube	1
14	16534	Fenwal Thermostat SS Pkg.	1 Pkg.
	18320	O-Ring – Fenwal (6/Pkg.)	1 Pkg.
	14503	Nut – Fenwal (6/Pkg.)	1 Pkg.
15	18314	Float w/ Hardware Pkg.	1 Pkg.
	18313	Hardware for Float Pkg.	1 Pkg.
16	11514	3/4" Cattle Valve Bracket Pkg.	1 Pkg.
17	11101	3/4" Red Male Cattle Valve Pkg.	1 Pkg.
18	18114	Carriage Bolt & Nut Pkg. (5/Pkg.)	1 Pkg.
19	16132	Casing Bolt & Nut Pkg. (4/Pkg.)	1 Pkg.
NS	12583	CattleMaster Supply Line Assembly	1
NS	15637	Casing Insulation Pkg. – 84 CM	1
NS	13849	Frame Insulation Pkg. – CM	1
NS	13830	48 W Cable Heater (120 Volt) Pkg.	1 Pkg.
NS	18327	Complete Accessory Pkg.	1 Pkg.
NS	12810	Gas Access Panel – 8" Optional	2

For 240 Volt CattleMaster 84 #16835, See Parts Below

NS	16424	48W Cable Heater (240 Volt) Pkg.	1 Pkg.
NS	11403	300W Element (240 Volt) Pkg.	3 Pkg.

For Constant Flow -No Heat -CattleMaster 84 #16804

NS	12154	Constant Flow Overflow Pipe	1
NS	16891	Constant Flow Valve W/ Petcock	1 Pkg.
NS	11142	Constant Flow Valve W/O Petcock	1 Pkg.
NS	18316	Fenwal Replacement Plug Pkg.	1 Pkg.
NS	11417	Drain Hole Plug	1

NS = Not Shown

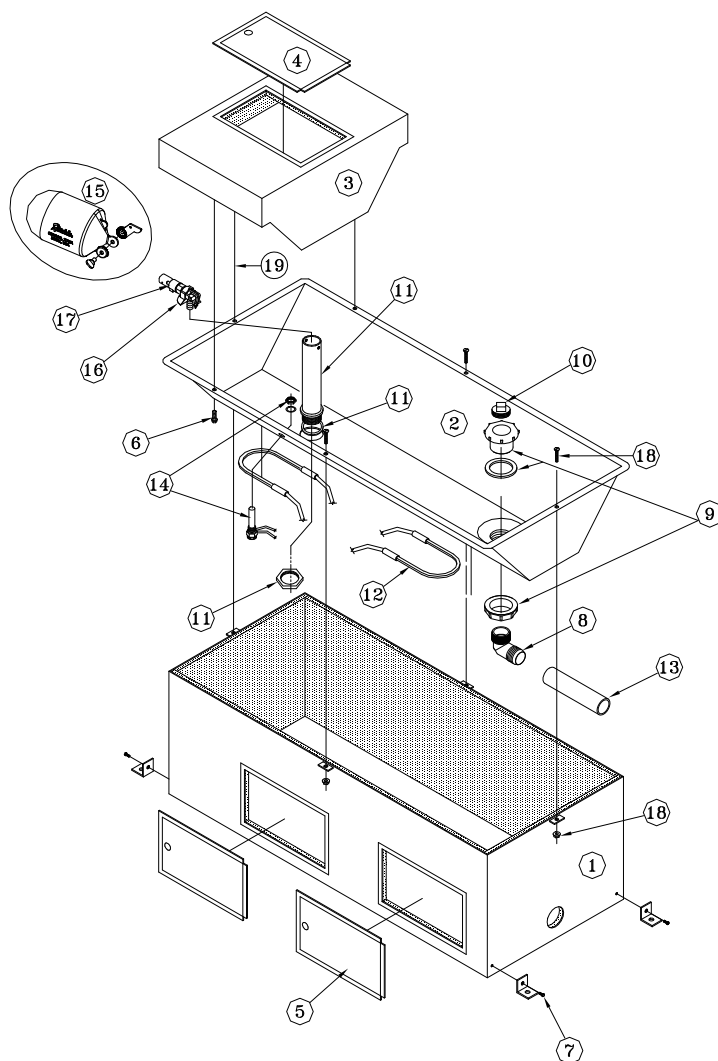
Italicized text = Not included or optional configuration add-ons

Item	Part #	Description	Qty
1	12660	Casing Pkg. 84 CattleMaster	1
2	16786	SS Trough W/Screws & Nut Pkg.	1 Pkg.
3	12618	Frame W/Panel & Screws	1
4	15542	Access Panel – CM Frame	1
5	12140	Access Panel – 8"	2
6	15154	Screw 1/4"-20 x 5/8" (10/Pkg.)	1 Pkg.
7	13775	SS Hold Down Angles (4/Pkg.)	1 Pkg.
8	17678	2" Elbow x Hose Barb	1

DISCONTINUED 2/2012

CattleMaster 48 Electric

Part # 16779



Item	Part #	Description	Qty
9	17679	Bulkhead Fitting 2"	1
10	18338	CM Plug Pkg.	1 Pkg.
11	18181	Standpipe W/ Washer & Nut Pkg.	1 Pkg.
12	11419	250W Element (120V) (1/Pkg.)	2 Pkg.
13	17677	Drain Tube	1
14	16534	Fenwal Thermostat SS Pkg.	1 Pkg.
	18320	O-Ring – Fenwal (6/Pkg.)	1 Pkg.
	14503	Nut – Fenwal (6/Pkg.)	1 Pkg.
15	18314	Float w/ Hardware Pkg.	1 Pkg.
	18313	Hardware for Float Pkg.	1 Pkg.
16	11514	¾" Cattle Valve Bracket Pkg.	1 Pkg.
17	11101	¾" Red Male Cattle Valve Pkg.	1 Pkg.
18	18114	Carriage Bolt & Nut Pkg. (5/Pkg.)	1 Pkg.
19	16132	Casing Bolt & Nut Pkg. (4/Pkg.)	1 Pkg.
NS	12583	CattleMaster Supply Line Assembly	1
NS	15638	Casing Insulation Pkg. – 48 CM	1
NS	13849	Frame Insulation Pkg. – CM	1
NS	13830	48 W Cable Heater (120 Volt) Pkg.	1 Pkg.
NS	18327	Complete Accessory Pkg.	1 Pkg.
NS	12810	Gas Access Panel – 8" Optional	2

For 240 Volt CattleMaster 48 #16837, See Parts Below

NS	16424	48W Cable Heater (240 Volt) Pkg.	1 Pkg.
NS	11403	300W Element (240 Volt) Pkg.	2 Pkg.

For Constant Flow -No Heat -CattleMaster 48 #16803

NS	12154	Constant Flow Overflow Pipe	1
NS	16891	Constant Flow Valve W/ Petcock	1 Pkg.
NS	11142	Constant Flow Valve W/O Petcock	1 Pkg.
NS	18316	Fenwal Replacement Plug Pkg.	1 Pkg.
NS	11417	Drain Hole Plug	1

NS = Not Shown

Italicized text = Not included or optional configuration add-ons

Item	Part #	Description	Qty
1	12661	Casing Pkg. 48 CattleMaster	1
2	16780	SS Trough W/Screws & Nut Pkg.	1 Pkg.
3	12618	Frame W/Panel & Screws	1
4	15542	Access Panel – CM Frame	1
5	12140	Access Panel – 8"	2
6	15154	Screw ¼"-20 x 5/8" (10/Pkg.)	1 Pkg.
7	13775	SS Hold Down Angles (4/Pkg.)	1 Pkg.
8	17678	2" Elbow x Hose Barb	1

DISCONTINUED 2/2012